



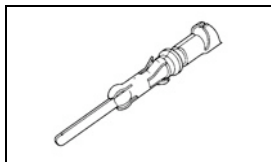
Have a Question?
Chat with a Product Information Specialist

What can we help you find?

[Products](#) [Industries](#) [Resources](#) [About TE](#) [My Account](#) [Innovation](#) [Support Center](#)

66182-1 Product Details

[Share](#) [Print](#) [Email](#)



66182-1

TE Internal Number: 66182-1

Active

[View 3D PDF](#)

Multimate

Always EU RoHS/ELV Compliant (Statement of Compliance)

Product Highlights:

- Contact Type = Pin
- Contact Classification = Signal
- Type III+ Series
- Gold (30) Contact Plating, Mating Area, Material
- Wire Range = 0.12-0.50² [26-20] mm [AWG]

[View all Features](#)

Quick Links

- ▶ [Pricing & Availability](#)
- ▶ [Search for Tooling](#)
- ▶ [Product Feature Selector](#)
- ▶ [Contact Us About This Product](#)

[Add to My Part List](#) [Request Sample](#) [Find Similar Products](#) [Buy Product](#)

Documentation & Additional Information

Product Drawings:

- [PIN ASSEMBLY, LOOSE PIECE, TYPE III+ \(PDF, English\)](#)

Catalog Pages/Data Sheets:

- [Signal Contacts \(PDF, English\)](#)
- [M_SERIES_PIN_AND_SOCKET_CONNECTORS \(PDF, English\)](#)
- [AMP Circular Connectors for Commercial Signal & Powe... \(PDF, English\)](#)

Product Specifications:

- None Available

Application Specifications:

- [Type III+ \(Size 16\) Contacts \(PDF, English\)](#)

Instruction Sheets:

- None Available

CAD Files: [\(CAD Format & Compression Information\)](#)

- [2D Drawing \(DXF, Version L\)](#)
- [3D Model \(IGES, Version L\)](#)
- [3D Model \(STEP, Version L\)](#)

[List all Documents](#)

Additional Information:

- [Product Line Information](#)

Related Products:

- [Tooling](#)

Product Features (Please use the Product Drawing for all design activity)

Product Type Features:

- Series = Type III+
- [Insulation Support](#) = Yes
- [Termination Method to Wire/Cable](#) = Solder
- Wire/Cable Type = Discrete Wire
- Grade = Commercial

Electrical Characteristics:

- High Current = No

Termination Features:

- [Termination End Plating](#) = Gold

Dimensions:

- Pin Diameter (mm [in]) = 1.57 [0.062]

Body Features:

- [Wire Range \(mm \[AWG\]\)](#) = 0.12-0.50² [26-20]
- Spring Material = Stainless Steel
- Used With = M Series Connectors, CPC Connectors

Contact Features:

- Contact Type = Pin
- Contact Classification = Signal
- [Contact Plating, Mating Area, Material](#) = Gold (30)
- [Contact Base Material](#) = Copper Alloy
- [Contact Size](#) = 16

Industry Standards:

- [RoHS/ELV Compliance](#) = RoHS compliant, ELV compliant
- [Lead Free Solder Processes](#) = Not relevant for lead free process
- [RoHS/ELV Compliance History](#) = Always was RoHS compliant

Conditions for Usage:

- [Applies To](#) = Wire/Cable
- Test Current (A) = 13.0

Packaging Features:

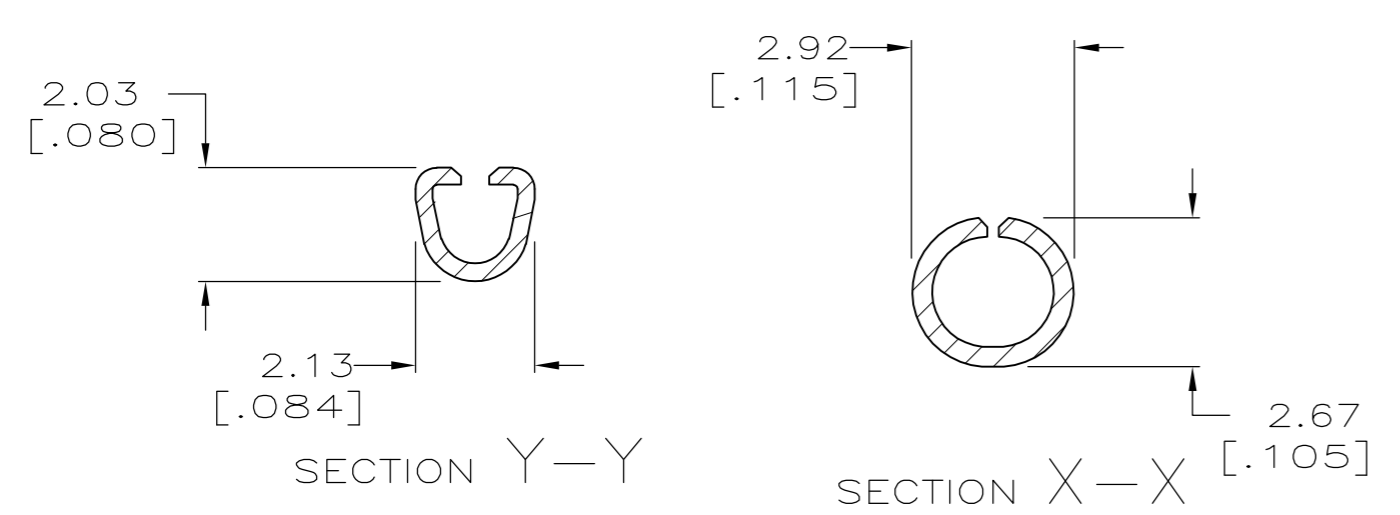
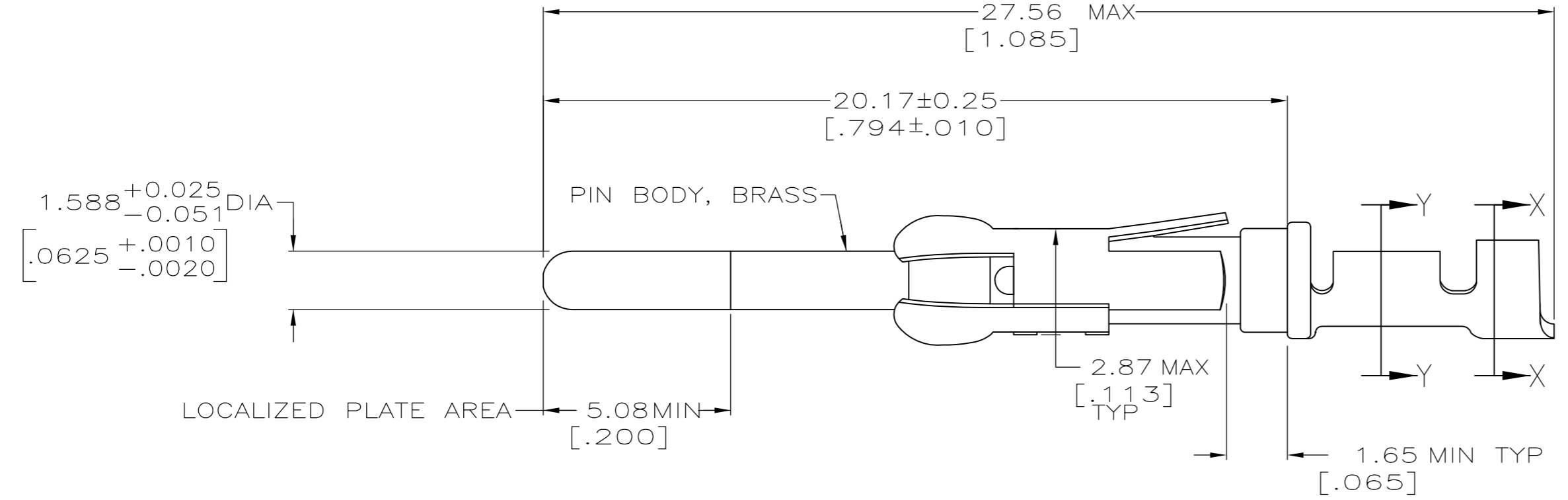
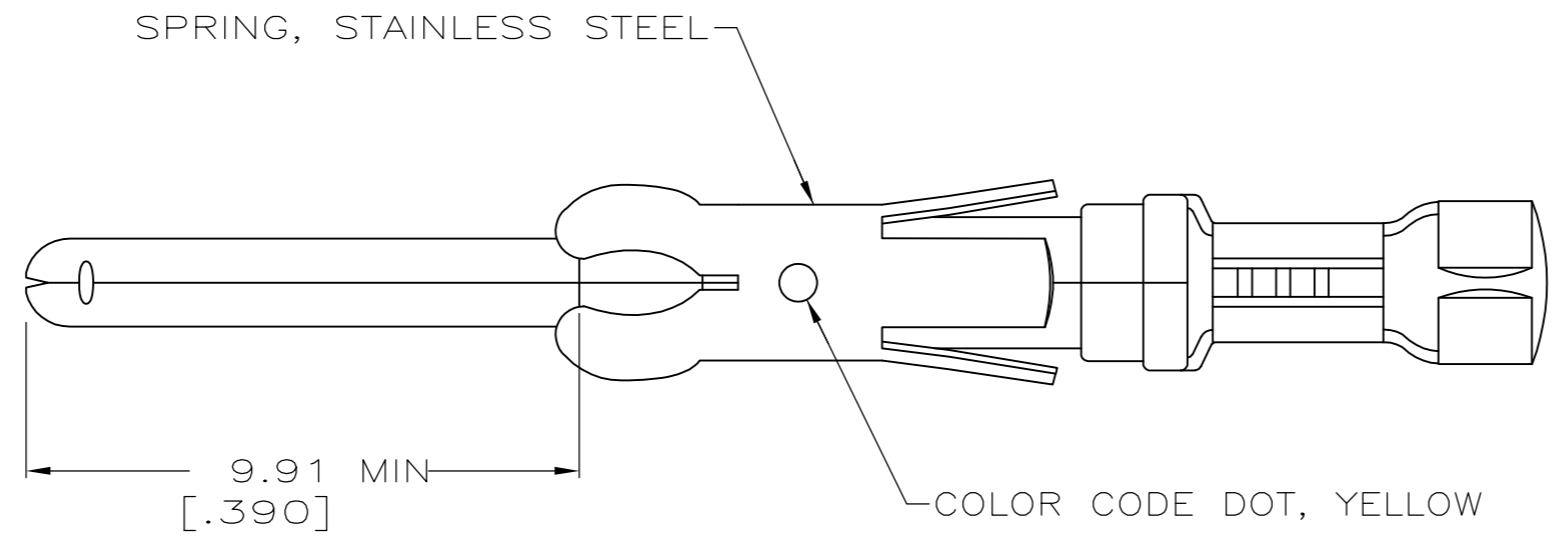
- [Packaging Method](#) = Loose Piece

Other:

- Brand = AMP
- Comment = These contacts can be used in MultiMate contact positions of all connector housings.

THIS DRAWING IS UNPUBLISHED. RELEASED FOR PUBLICATION
 © COPYRIGHT - By - ALL RIGHTS RESERVED.

LOC	DIST	REVISIONS			
P	LTR	DESCRIPTION	DATE	OWN	APVD
FT	47	L2	REVISED PER ECO-11-005027	11MAR11	RK HMR



- 1. WIRE RANGE 26-20 AWG.
- 2. OBSOLETE PARTS: OBSOLETE CIS STREAMLINING PER D.RENAUD/D.SINISI

2	OBsolete	SMALL PACK	66182-2
		STANDARD	66182-1
		PACKAGING TYPE	PART NO

THIS DRAWING IS A CONTROLLED DOCUMENT.		DWN H MOLL	9-27-90	STE TE Connectivity	
DIMENSIONS: MM[INCHES]		CHK J.McCLINTON	12-15-90		
TOLERANCES UNLESS OTHERWISE SPECIFIED:		APVD A.ROULLIANNE	12-10-90	NAME PIN ASSEMBLY, LOOSE PIECE, TYPE III+	
0 PLC ± -		PRODUCT SPEC		SIZE CAGE CODE DRAWING NO	
1 PLC ± -		APPLICATION SPEC		RESTRICTED TO	
2 PLC ± 0.13[.005]		WEIGHT		A2 00779 C-66182	
3 PLC ± -		MATERIAL		SCALE 8:1 SHEET 1 OF 1 REV L2	
4 PLC ± -		SEE CALL OUT		CUSTOMER DRAWING	
ANGLES ± ± -		FINISH			
		PIN BODY: 0.76µm [.00003] MIN GOLD IN LOCALIZE PLATE AREA, 0.25µm [.00001] MIN GOLD ON THE REMAINDER OVER 1.27µm [.00005] MIN NICKEL			