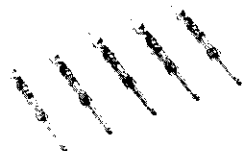


M Series Connectors (Continued)

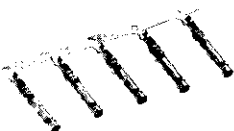
V.35

Signal Contacts

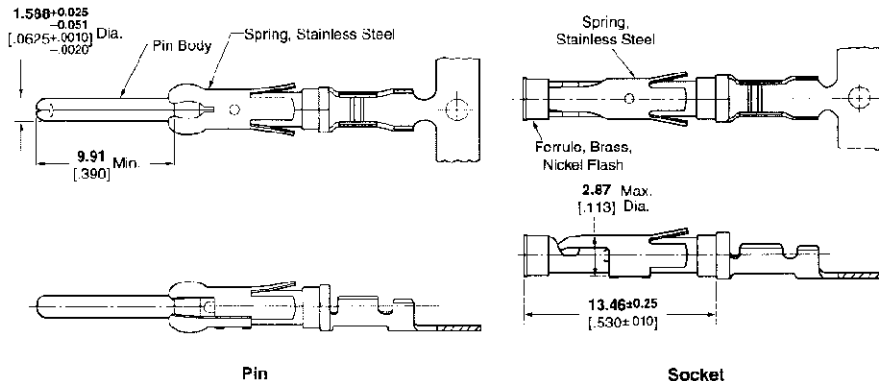
Type III+ Crimp Snap-in



Pin



Socket



Pin

Socket

Contact Size 16—Pin Diameter 1.57 [.062] (Test Current, 13 Ampere)‡

Material:
Contact Body — Brass
Retention Spring — Stainless steel

Finish:
See chart.

Wire Size Range	Ins. Dia. Range	Contact Finish	Strip-Form Contact No.		Loose Piece Contact No.		Tooling No. Loose Piece Hand Tool
			Pin	Socket	Pin	Socket	
30-26	0.05-0.15	Bright Tin-Lead	66425-6	66424-6	—	—	90066-7
		Gold/Nickel [†]	66425-7	66424-7	66429-3	66428-3	
		Sel. Gold/Nickel [‡]	66425-8	66424-8	66429-4	66428-4	
26-24	0.12-0.2	Gold/Nickel [†]	66393-7	66394-7	—	—	90225-2
		Sel. Gold/Nickel [‡]	66393-8	66394-8	66406-4	66405-4	
		Bright Tin-Lead	66106-6	66108-6	66107-2	66109-2	
		Gold/Nickel [†]	66106-7	66108-7	66107-3	66109-3	
		Sel. Gold/Nickel [‡]	66106-8	66108-8	66107-4	66109-4	
24-20	0.2-0.6	Bright Tin-Lead	66102-7	66104-7	66103-2	66105-2	90066-7 or 58495-1*
		Gold/Nickel [†]	66102-8	66104-8	66103-3	66105-3	
		Sel. Gold/Nickel [‡]	66102-9	66104-9	66103-4	66105-4	
		Bright Tin-Lead	66564-6	66563-6	66566-2	66565-2	
		Sel. Gold/Nickel [‡]	66564-8	66563-8	66566-4	66565-4	
18-16	0.6-1.4	Bright Tin-Lead	66332-5	66331-5	66400-1	66399-1	90067-5 or 90225-2
		Gold/Nickel [†]	66332-7	66331-7	66400-3	66399-3	
		Sel. Gold/Nickel [‡]	66332-8	66331-8	66400-4	66399-4	
		Bright Tin-Lead	66098-7	66100-7	66099-2	66101-2	
		Gold/Nickel [†]	66098-8	66100-8	66099-3	66101-3	
18-14	0.8-2.0	Sel. Gold/Nickel [‡]	66098-9	66100-9	66099-4	66101-4	90067-4 90067-5 58495-1*
		Bright Tin-Lead	66359-6	66358-6	66361-2	66360-2	
		Gold/Nickel [†]	66359-9	66358-9	66361-3	66360-3	
		Sel. Gold/Nickel [‡]	1-66359-0	1-66358-0	66361-4	66360-4	
		Bright Tin-Lead	66597-1	66598-1	66602-1	66601-1	
		Gold/Nickel [†]	—	—	—	—	90310-2
		Sel. Gold/Nickel [‡]	66597-2	66598-2	66602-2	66601-2	

*Overall insulation crimp diameter, including crimp barrel, must not exceed 3.18 [.125].
[†]0.00038 [.000015] gold in the mating area over 0.00127 [.000050] nickel.
[‡]0.00076 [.000030] gold in the mating area over 0.00127 [.000050] nickel.
 *Contacts can only be used in Metrimate, Series 1 (Arr. 23-24), Series 4 (Arr. 23-13M, 23-16M, 23-22M), and VDE connectors.
 *Economy hand tool for field repair only.
 ‡Single contact, free-air test current is not to be construed as contact rating current. Use only for testing.
Insertion Tool No. 91002-1 (for insulation diameters 1.78 [.070] or less), No. 200893-2 (For insulation diameters 2.29 [.090] max.).
Extraction Tool No. 305183.