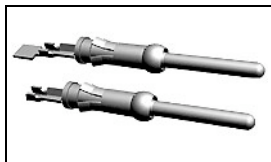




66400-3 Product Details

[Share](#) | [Print](#) | [Email](#)


66400-3

TE Internal Number: 66400-3

Active

[View 3D PDF](#)

Multimate

Always EU RoHS/ELV Compliant (Statement of Compliance)

Product Highlights:

- Contact Type = Pin
- Contact Classification = Signal
- Type III+ Series
- Gold (15) Contact Plating, Mating Area, Material
- Wire Range = 0.20-0.60² [24-20] mm [AWG]

[View all Features](#)

Quick Links

- ▶ [Pricing & Availability](#)
- ▶ [Search for Tooling](#)
- ▶ [Product Feature Selector](#)
- ▶ [Contact Us About This Product](#)

[Add to My Part List](#)
[Request Sample](#)
[Find Similar Products](#)
[Buy Product](#)

Documentation & Additional Information

Product Drawings:

- [PIN ASSEMBLY, LOOSE PIECE, TYPE](#) (PDF, English)

Catalog Pages/Data Sheets:

- [Signal Contacts](#) (PDF, English)
- [M_SERIES_PIN_AND_SOCKET_CONNECTORS](#) (PDF, English)
- [AMP Circular Connectors for Commercial Signal & Powe...](#) (PDF, English)

Product Specifications:

- None Available

Application Specifications:

- [Type III+ \(Size 16\) Contacts](#) (PDF, English)

Instruction Sheets:

- [Selection of Multimate Pin and Socket Contacts](#) (PDF, English)

CAD Files: (CAD Format & Compression Information)

- [2D Drawing](#) (DXF, Version L)
- [3D Model](#) (IGES, Version L)
- [3D Model](#) (STEP, Version L)

[List all Documents](#)

Additional Information:

- [Product Line Information](#)

Related Products:

- [Tooling](#)

Product Features (Please use the Product Drawing for all design activity)

Product Type Features:

- Series = Type III+
- Insulation Support = Yes
- Termination Method to Wire/Cable = Crimp
- Wire/Cable Type = Discrete Wire
- Grade = Commercial

Electrical Characteristics:

- High Current = No

Termination Features:

- Termination End Plating = Matte Tin Over Nickel

Dimensions:

- Pin Diameter (mm [in]) = 1.57 [0.062]

Body Features:

- Wire Range (mm [AWG]) = 0.20-0.60² [24-20]
- Spring Material = Stainless Steel
- Used With = M Series Connectors, CPC Connectors, G Series Connectors

Contact Features:

- Contact Type = Pin
- Contact Classification = Signal
- Contact Plating, Mating Area, Material = Gold (15)

Industry Standards:

- [RoHS/ELV Compliance](#) = RoHS compliant, ELV compliant
- [Lead Free Solder Processes](#) = Not relevant for lead free process
- RoHS/ELV Compliance History = Always was RoHS compliant

Conditions for Usage:

- [Accepts Wire Insulation Diameter, Range \(mm \[in\]\)](#) = 2.03 - 2.54 [0.080 - 0.100]
- [Applies To](#) = Wire/Cable
- Test Current (A) = 13.0

Packaging Features:

- [Packaging Method](#) = Loose Piece
- Packaging Quantity = 1,000 Box/Carton

Other:

- Brand = AMP
- Comment = Overall insulation crimp diameter, including crimp barrel, must not exceed 3.18 [.125].; Insertion Tool No. 91002-1 (for Insulation Dia. 1.78 [.070] or less), No. 200893-2 (for Insulation Dia. .090 [2.29] max.) Extraction Tool No. 305183.

- [Contact Base Material](#) = Brass
- [Contact Size](#) = 16

Corporate Information

- [About TE](#)
- [Investors](#)
- [News Room](#)
- [Supplier Portal](#)
- [Careers](#)
- [Terms & Conditions](#)
- [Privacy Policy](#)

Quick Links

- [Distributor Inventory](#)
- [Product Cross Reference](#)
- [Documents & Drawings](#)
- [Product Compliance Support Center](#)
- [Site Map](#)

Customer Support

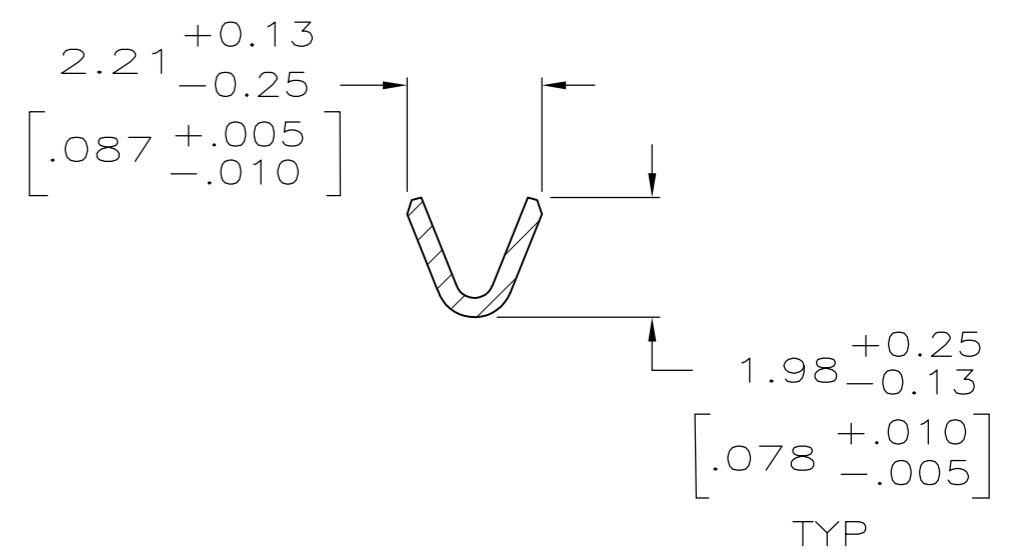
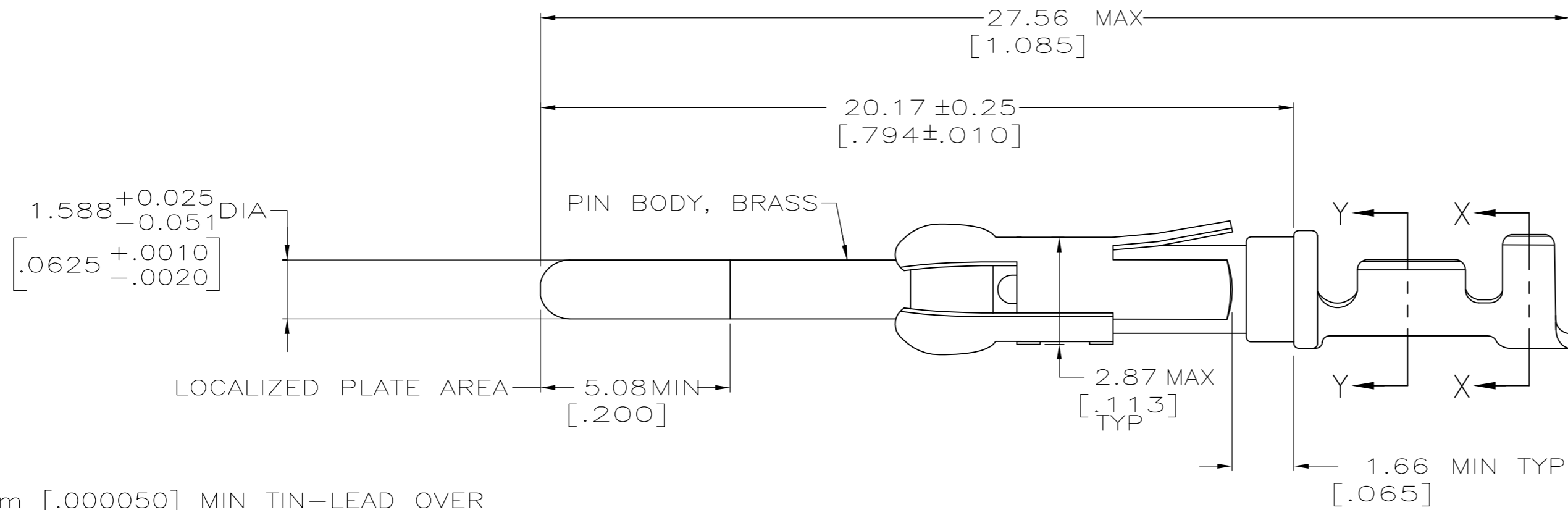
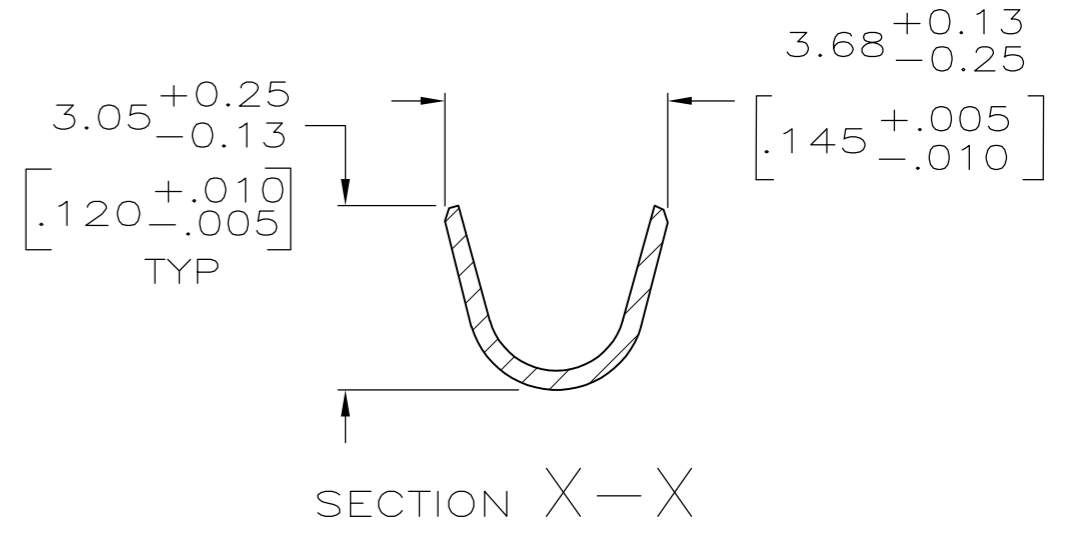
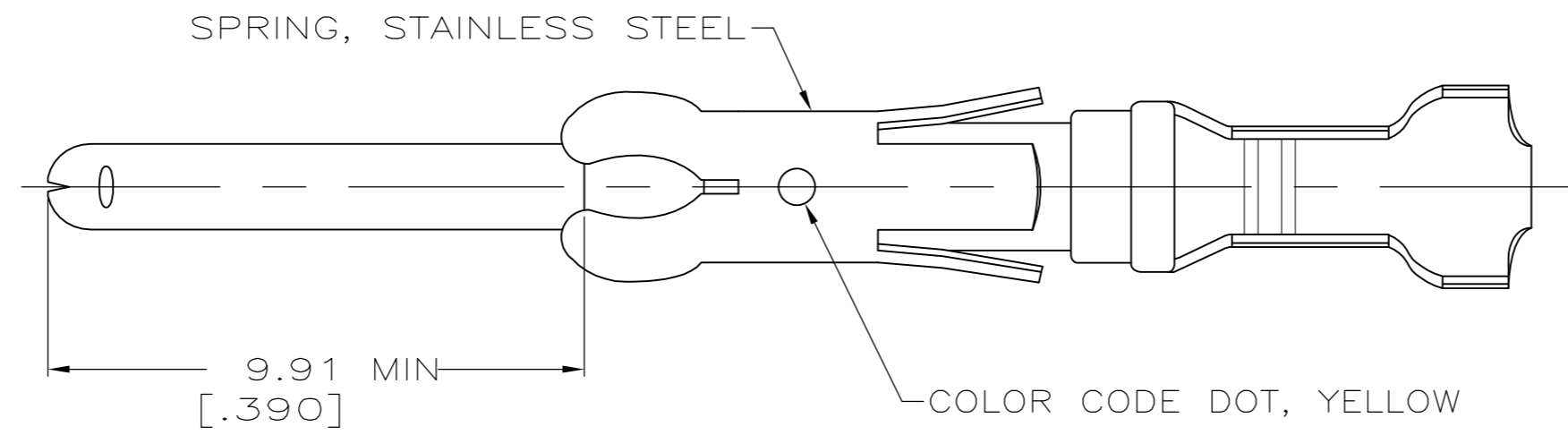
- [Email or Chat With Us](#)
- [Find a Phone Number](#)
- [Knowledge Base](#)
- [Manage Your Account](#)

Keep Me Informed



THIS DRAWING IS UNPUBLISHED. RELEASED FOR PUBLICATION
 © COPYRIGHT - By - ALL RIGHTS RESERVED.

LOC	DIST	REVISIONS					
FT	0	P	LTR	DESCRIPTION	DATE	DWN	APVD
		T		REVISED PER ECO-12-012316	05JUL12	KH	MZ



- 1 1.27µm [.000050] MIN TIN-LEAD OVER
1.27µm [.000050] MIN NICKEL.
- 2 0.76µm [.000030] MIN PRECIOUS METAL PLATE ON MATING END FOR A LENGTH OF 5.08 [.200] MIN WITH A UNIFORM GRADIENT TO 0.25µm [.000010] ON REMAINDER, OVER 1.27µm [.000050] MIN NICKEL PLATE. GOLD FLASH ALL OVER. CONFORMS TO THE REQUIREMENTS OF TE CONNECTIVITY PRODUCT SPEC 108-10042, BASED ON EIA/ECA-364-1000.01A (CONTROLLED ENVIRONMENT APPLICATIONS).
- 3 0.76µm [.000030] MIN PRECIOUS METAL PLATE ON MATING END FOR A LENGTH OF 5.08 [.200] MIN WITH 1.27µm [.000050] MIN MATTE TIN PLATE IN WIRE CRIMP AREA BOTH OVER 1.27µm [.000050] MIN NICKEL PLATE. CONFORMS TO THE REQUIREMENTS OF TE CONNECTIVITY PRODUCT SPEC 108-10042, BASED ON EIA/ECA-364-1000.01A (CONTROLLED ENVIRONMENT APPLICATIONS).
- 4 0.38µm [.000015] MIN GOLD IN LOCALIZED PLATE AREA, 1.27µm [.000050] MIN MATTE TIN PLATE IN WIRE CRIMP AREA, BOTH ALL OVER 1.27µm [.000050] NICKEL
- 5 WIRE RANGE 24-20 AWG.
- 6 INSULATION RANGE 2.03 [.080]-2.54 [.100] DIA.
- 7 0.38µm [.000015] MIN GOLD PER MIL-G-45204 ON LOCALIZED GOLD PLATE AREA, 1.27µm [.000050] MIN TIN-LEAD PER MIL-T-10727 FOR A LENGTH OF 5.69 [.224] MIN ON OPPOSITE END, BOTH OVER 1.27µm [.000050] MIN NICKEL PER QQ-N-290 ON ENTIRE CONTACT.
- 8 1.27µm [.000050] MIN TIN OVER
1.27µm [.000050] MIN NICKEL.
- 9 OBSOLETE PARTS: OBSOLETE CIS STREAMLINING PER D.RENAUD/D.SINISI

PACKAGING TYPE	FINISH	STRIP P/N REF	PART NO
SMALL PACK	8	1-66332-4	1-66400-1
STANDARD	8	1-66332-4	1-66400-0
SMALL PACK	3	66332-4	66400-9
OBSOLETE SMALL PACK	4	66332-3	66400-8
OBSOLETE SMALL PACK	2	66332-6	66400-7
SMALL PACK	1	66332-1	66400-6
OBSOLETE STANDARD	7	1-66332-2	66400-5
STANDARD	3	66332-4	66400-4
STANDARD	4	66332-3	66400-3
STANDARD	2	66332-6	66400-2
STANDARD	1	66332-1	66400-1

THIS DRAWING IS A CONTROLLED DOCUMENT.

DWN H MOLL 9-27-90
 CHK J.MCCLINTON 12-15-90
 APVD A.BOUILLIANNE 12-10-90

TE Connectivity

PIN ASSEMBLY, LOOSE PIECE, TYPE III+

SIZE A2 CAGE CODE 00779 DRAWING NO C-66400 RESTRICTED TO

MATERIAL SEE CALL OUT FINISH PIN BODY: SEE TABLE WEIGHT - SCALE 8:1 SHEET 1 OF 1 REV T

CUSTOMER DRAWING