

Distributed by:

**JAMECO**<sup>®</sup>  
ELECTRONICS

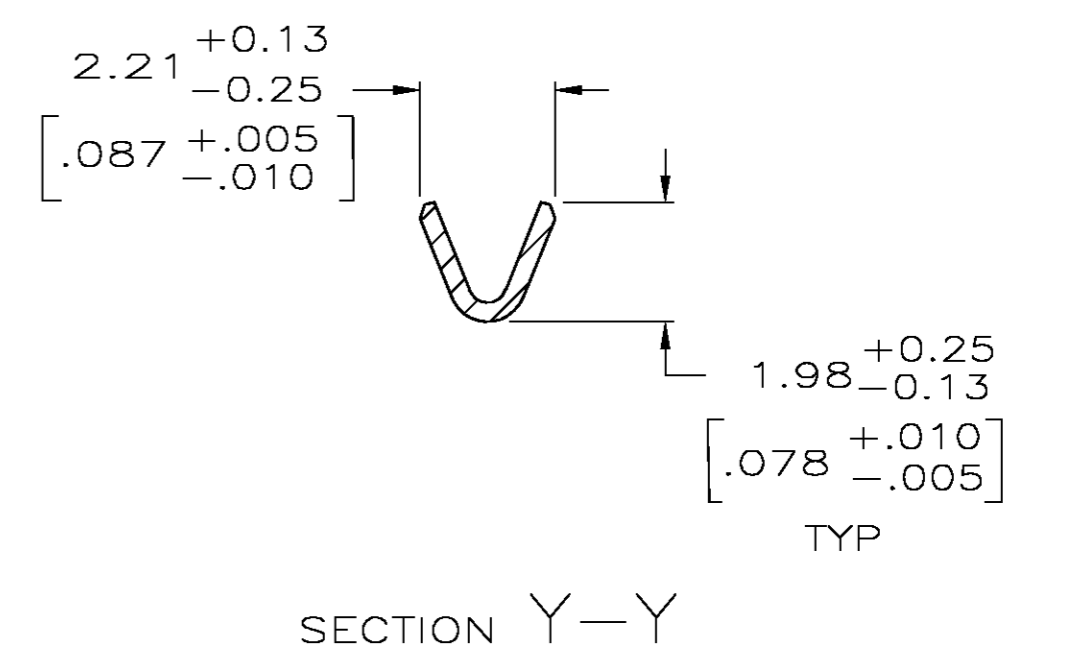
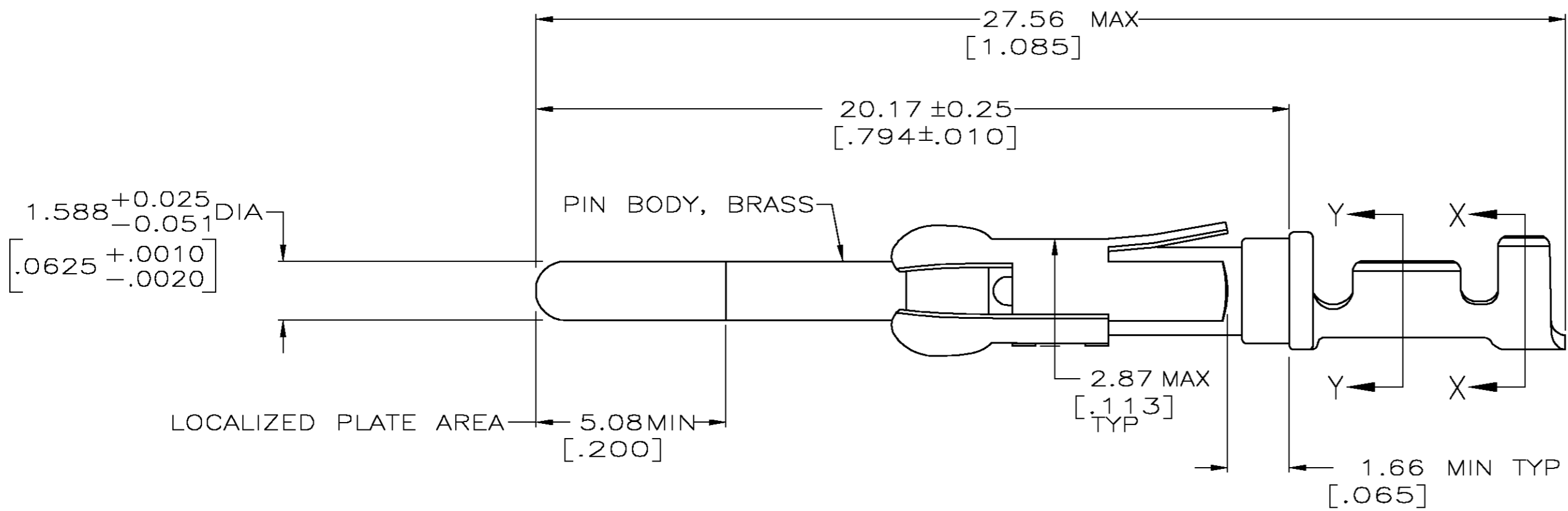
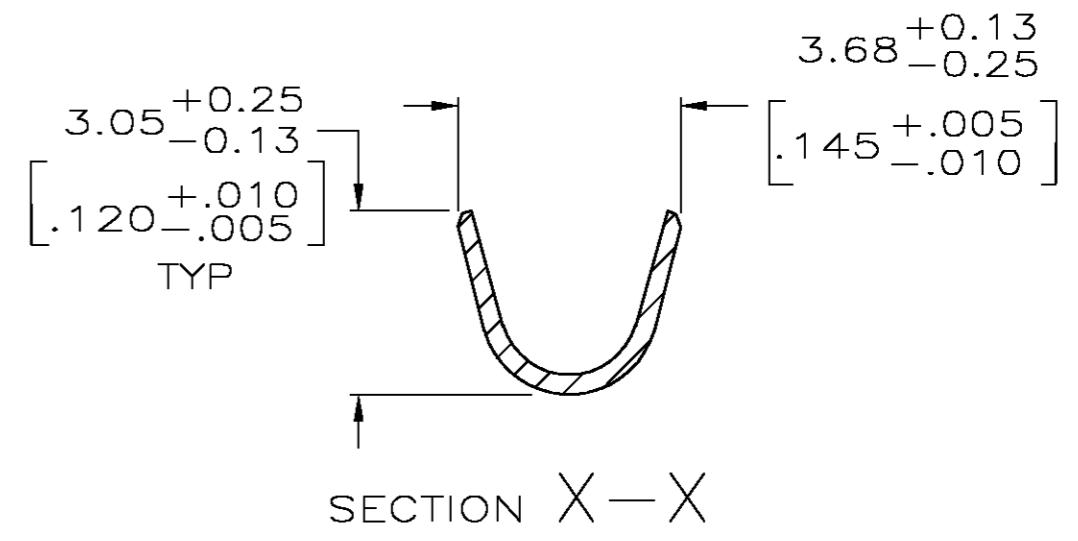
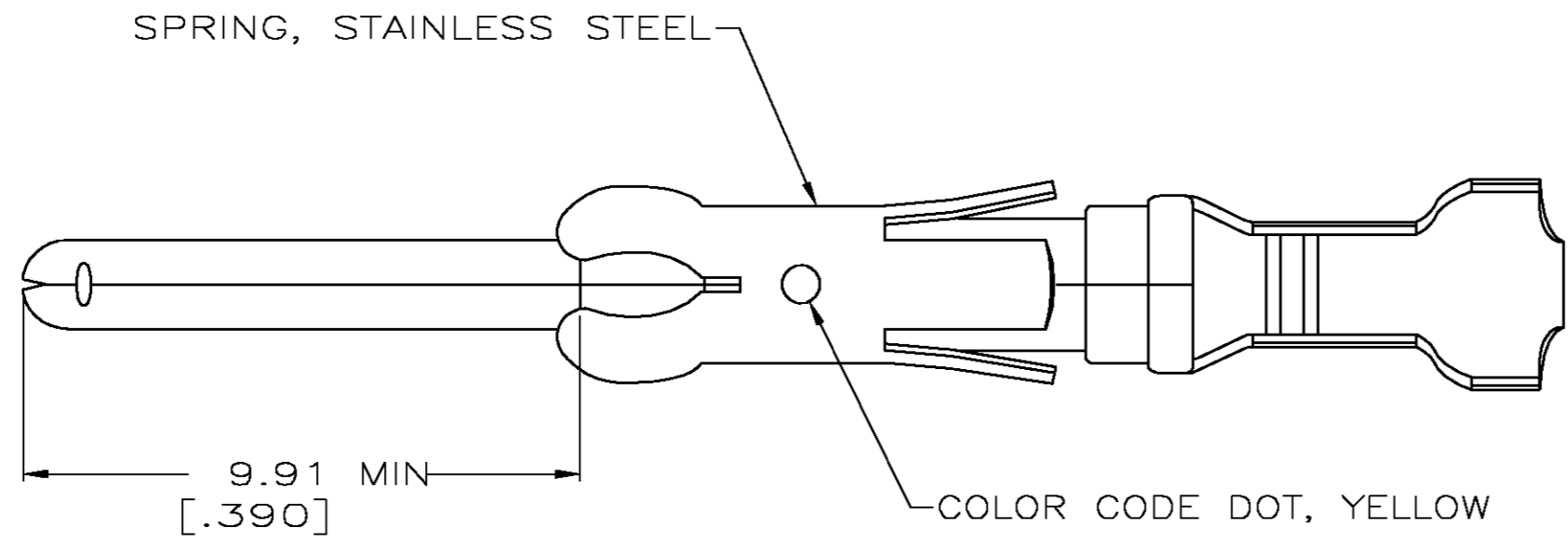
**www.Jameco.com ♦ 1-800-831-4242**

The content and copyrights of the attached  
material are the property of its owner.

Jameco Part Number 859894

THIS DRAWING IS UNPUBLISHED. RELEASED FOR PUBLICATION  
 © COPYRIGHT BY TYCO ELECTRONICS CORPORATION. ALL RIGHTS RESERVED.

LOC	DIST	REVISIONS			
P	LTR	DESCRIPTION	DATE	DWN	APVD
FT	0	R	REVISED PER 0G3B-0956-04	11/18/04	SS GS



- 1 1.27μm [.000050] MIN TIN-LEAD OVER  
1.27μm [.000050] MIN NICKEL.
- 2 0.76μm [.000030] MIN GOLD IN LOCALIZED  
PLATE AREA, 0.25μm [.000010] MIN  
GOLD ON THE REMAINDER ALL OVER  
1.27μm [.000050] MIN NICKEL.
- 3 0.76μm [.000030] MIN GOLD IN LOCALIZED  
PLATE AREA, GOLD FLASH ON  
THE REMAINDER ALL OVER 1.27μm [.000050]  
NICKEL.
- 4 0.38μm [.000015] MIN GOLD IN LOCALIZED  
PLATE AREA, GOLD FLASH ON  
THE REMAINDER ALL OVER 1.27μm [.000050]  
NICKEL.
- 5. WIRE RANGE 24-20 AWG.
- 6. INSULATION RANGE 2.03[.080]-2.54[.100] DIA.
- 7 0.38μm [.000015] MIN GOLD PER MIL-G-45204 ON LOCALIZED  
GOLD PLATE AREA, 1.27μm [.000050] MIN TIN-LEAD PER  
MIL-T-10727 FOR A LENGTH OF 5.69 [.224] MIN ON OPPOSITE END, BOTH  
OVER 1.27μm [.000050] MIN NICKEL PER QQ-N-290 ON ENTIRE CONTACT.
- 8 1.27μm [.000050] MIN TIN OVER  
1.27μm [.000050] MIN NICKEL.

OBSOLETE

PACKAGING TYPE	FINISH	STRIP P/N REF	PART NO
SMALL PACK	8	1-66332-4	1-66400-1
STANDARD	8	1-66332-4	1-66400-0
SMALL PACK	3	66332-4	66400-9
SMALL PACK	4	66332-3	66400-8
SMALL PACK	2	66332-6	66400-7
SMALL PACK	1	66332-1	66400-6
STANDARD	7	1-66332-2	66400-5
STANDARD	3	66332-4	66400-4
STANDARD	4	66332-3	66400-3
STANDARD	2	66332-6	66400-2
STANDARD	1	66332-1	66400-1

THIS DRAWING IS A CONTROLLED DOCUMENT.

DWN H MOLL 9-27-90  
 CHK J.MCCLINTON 12-15-90  
 APVD A.BOULLIANNE 12-10-90

TOLERANCES UNLESS OTHERWISE SPECIFIED:  
 0 PLC ± -  
 1 PLC ± -  
 2 PLC ± 0.13[.005]  
 3 PLC ± -  
 4 PLC ± -  
 ANGLES ± -

FINISH: PIN BODY: SEE TABLE

WEIGHT: -

CUSTOMER DRAWING

SCALE: 8:1

SHEET 1 OF 1

REV R

Tyco Electronics Corporation  
 Harrisburg, Pa 17105-3608

PIN ASSEMBLY, LOOSE PIECE, TYPE III+

SIZE: A2 CAGE CODE: 00779 C=66400