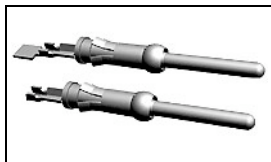




66406-4 Product Details

[Share](#) | [Print](#) | [Email](#)


66406-4

TE Internal Number: 66406-4

Active

View 3D PDF

Multimate

Always EU RoHS/ELV Compliant (Statement of Compliance)

Product Highlights:

- Contact Type = Pin
- Contact Classification = Signal
- Type III+ Series
- Gold (30) Contact Plating, Mating Area, Material
- Wire Range = 0.05-15² [30-26] mm [AWG]

[View all Features](#)

Quick Links

- ▶ [Pricing & Availability](#)
- ▶ [Search for Tooling](#)
- ▶ [Product Feature Selector](#)
- ▶ [Contact Us About This Product](#)

[Add to My Part List](#)
[Request Sample](#)
[Find Similar Products](#)
[Buy Product](#)

Documentation & Additional Information

Product Drawings:

- [PIN ASSEMBLY, LOOSE PIECE, TYPE III+ \(PDF, English\)](#)

Catalog Pages/Data Sheets:

- [Signal Contacts \(PDF, English\)](#)
- [M_SERIES_PIN_AND_SOCKET_CONNECTORS \(PDF, English\)](#)
- [AMP Circular Connectors for Commercial Signal & Powe... \(PDF, English\)](#)

Product Specifications:

- None Available

Application Specifications:

- [Type III+ \(Size 16\) Contacts \(PDF, English\)](#)

Instruction Sheets:

- [Selection of Multimate Pin and Socket Contacts \(PDF, English\)](#)

CAD Files: (CAD Format & Compression Information)

- [2D Drawing \(DXF, Version K\)](#)
- [3D Model \(IGES, Version K\)](#)
- [3D Model \(STEP, Version K\)](#)

[List all Documents](#)

Additional Information:

- [Product Line Information](#)

Related Products:

- [Tooling](#)

Product Features (Please use the Product Drawing for all design activity)

Product Type Features:

- Series = Type III+
- Insulation Support = Yes
- Termination Method to Wire/Cable = Crimp
- Wire/Cable Type = Discrete Wire
- Grade = Commercial

Electrical Characteristics:

- High Current = No

Termination Features:

- Termination End Plating = Matte Tin Over Nickel

Dimensions:

- Pin Diameter (mm [in]) = 1.57 [0.062]

Body Features:

- Wire Range (mm [AWG]) = 0.05-15² [30-26]
- Spring Material = Stainless Steel
- Used With = M Series Connectors, CPC Connectors, G Series Connectors

Contact Features:

- Contact Type = Pin
- Contact Classification = Signal
- Contact Plating, Mating Area, Material = Gold (30)

Industry Standards:

- [RoHS/ELV Compliance](#) = RoHS compliant, ELV compliant
- [Lead Free Solder Processes](#) = Not relevant for lead free process
- [RoHS/ELV Compliance History](#) = Always was RoHS compliant

Conditions for Usage:

- [Accepts Wire Insulation Diameter, Range \(mm \[in\]\)](#) = 0.36 - 0.76 [0.014 - 0.030]
- [Applies To](#) = Wire/Cable
- [Test Current \(A\)](#) = 13.0

Packaging Features:

- [Packaging Method](#) = Loose Piece
- [Packaging Quantity](#) = 1,000 Box/Carton

Other:

- Brand = AMP
- Comment = Overall insulation crimp diameter, including crimp barrel, must not exceed 3.18 [.125].; Insertion Tool No. 91002-1 (for Insulation Dia. 1.78 [.070] or less), No. 200893-2 (for Insulation Dia. .090 [2.29] max.) Extraction Tool No. 305183.

- [Contact Base Material](#) = Brass
- [Contact Size](#) = 16

Corporate Information

- [About TE](#)
- [Investors](#)
- [News Room](#)
- [Supplier Portal](#)
- [Careers](#)
- [Terms & Conditions](#)
- [Privacy Policy](#)

Quick Links

- [Distributor Inventory](#)
- [Product Cross Reference](#)
- [Documents & Drawings](#)
- [Product Compliance Support Center](#)
- [Site Map](#)

Customer Support

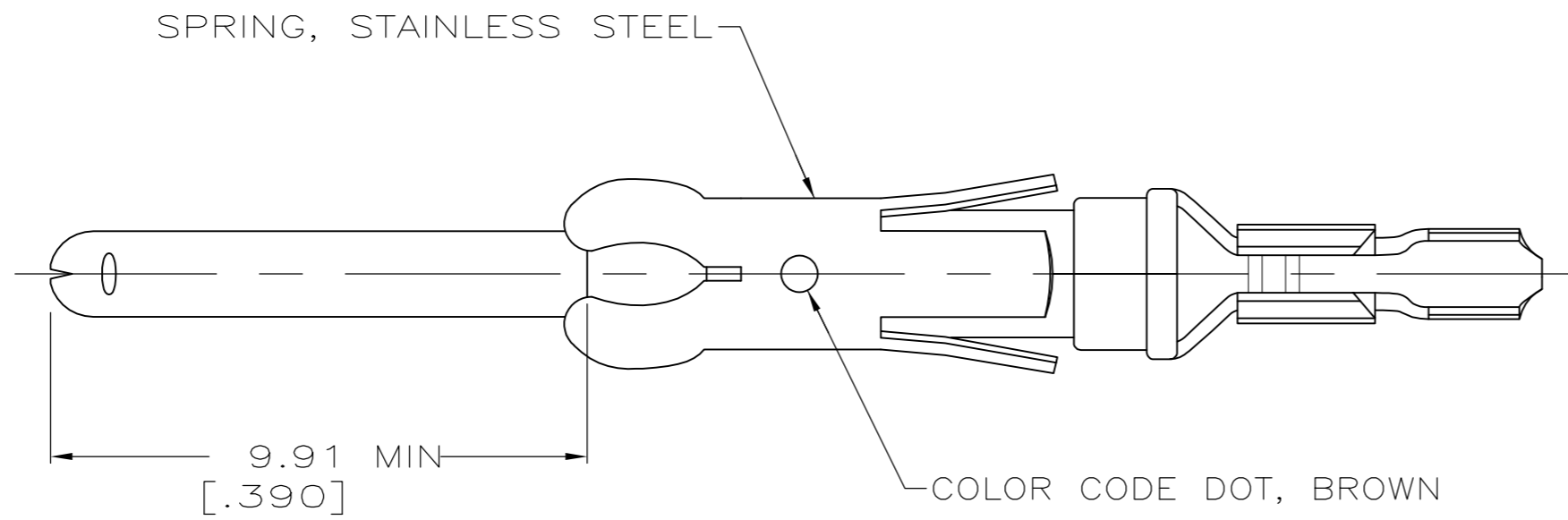
- [Email or Chat With Us](#)
- [Find a Phone Number](#)
- [Knowledge Base](#)
- [Manage Your Account](#)

Keep Me Informed

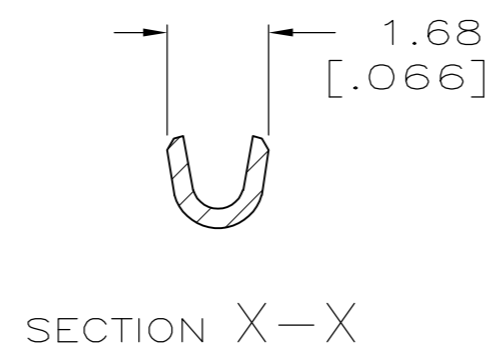
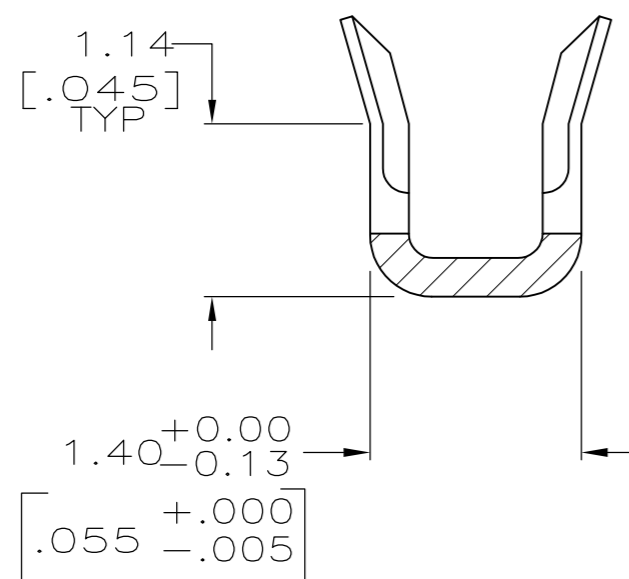
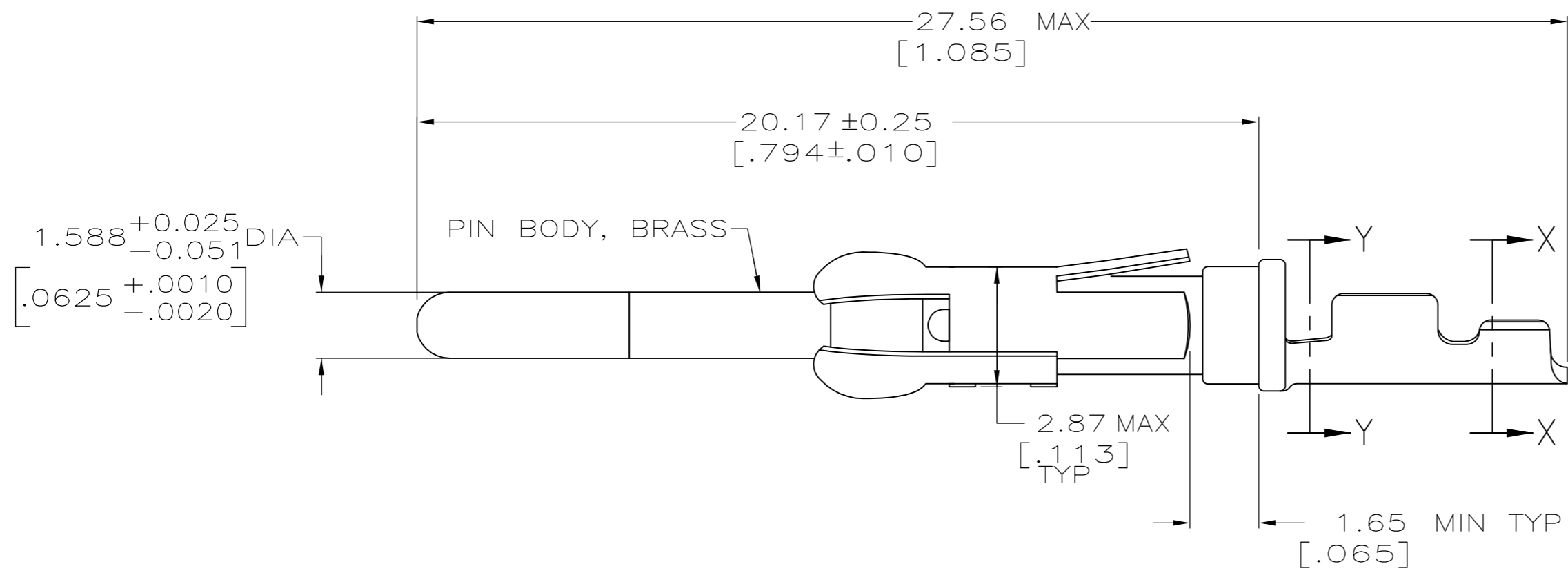


THIS DRAWING IS UNPUBLISHED. RELEASED FOR PUBLICATION
 © COPYRIGHT - By - ALL RIGHTS RESERVED.

LOC	DIST	REVISIONS			
P	LTR	DESCRIPTION	DATE	DWN	APVD
FT	47	R	REVISED PER ECO-12-012316	05JUL12	KH MZ



- 1 0.76µm[.000030] MIN PRECIOUS METAL PLATE ON MATING END FOR A LENGTH OF 5.08 [.200] MIN WITH A UNIFORM GRADIENT TO 0.25µm [.000010] ON REMAINDER, OVER 1.27µm[.000050] MIN NICKEL PLATE. GOLD FLASH ALL OVER. CONFORMS TO THE REQUIREMENTS OF TYCO ELECTRONICS PRODUCT SPEC 108-10042, BASED ON EIA/ECA-364-1000.01A (CONTROLLED ENVIRONMENT APPLICATIONS).
- 2 0.76µm[.000030] MIN PRECIOUS METAL PLATE ON MATING END FOR A LENGTH OF 5.08 [.200] MIN WITH 1.27µm[.000050]MIN MATTE TIN PLATE IN WIRE CRIMP AREA, BOTH OVER 1.27µm [.000050] MIN NICKEL PLATE. CONFORMS TO THE REQUIREMENTS OF TYCO ELECTRONICS PRODUCT SPEC 108-10042, BASED ON EIA/ECA-364-1000.01A (CONTROLLED ENVIRONMENT APPLICATIONS).
- 3 WIRE RANGE 26-30 AWG.
- 4 INSULATION RANGE 0.36[.014]-0.76[.030] DIA.



SECTION Y-Y
SCALE 20:1

THIS DRAWING IS A CONTROLLED DOCUMENT.		DWN	9-27-90	H MOLL	
DIMENSIONS: mm [INCHES]		CHK	12-15-90	J.MCCLINTON	
TOLERANCES UNLESS OTHERWISE SPECIFIED:		APVD	12-10-90	A. BOULLIANNE	
0 PLC ± -		PRODUCT SPEC	-		
1 PLC ± -		APPLICATION SPEC	-		
2 PLC ± 0.13[.005]		WEIGHT	-		
3 PLC ± -		CUSTOMER DRAWING	-		
4 PLC ± -		SCALE	8:1	SHEET	1 of 1
ANGLES ± -		FINISH	PIN BODY:SEE TABLE		
MATERIAL		FINISH	-		
SEE CALL OUT		WEIGHT	-		
FINISH		SCALE	8:1	SHEET	1 of 1
PIN BODY:SEE TABLE		REV	R		

2	66393-4	66406-4
1	66393-1	66406-1
FINISH	STRIP P/N REF	PART NO.

THIS DRAWING IS A CONTROLLED DOCUMENT.		DWN	9-27-90	H MOLL	
DIMENSIONS: mm [INCHES]		CHK	12-15-90	J.MCCLINTON	
TOLERANCES UNLESS OTHERWISE SPECIFIED:		APVD	12-10-90	A. BOULLIANNE	
0 PLC ± -		PRODUCT SPEC	-		
1 PLC ± -		APPLICATION SPEC	-		
2 PLC ± 0.13[.005]		WEIGHT	-		
3 PLC ± -		CUSTOMER DRAWING	-		
4 PLC ± -		SCALE	8:1	SHEET	1 of 1
ANGLES ± -		FINISH	PIN BODY:SEE TABLE		
MATERIAL		FINISH	-		
SEE CALL OUT		WEIGHT	-		
FINISH		SCALE	8:1	SHEET	1 of 1
PIN BODY:SEE TABLE		REV	R		