

6648319-1 Product Details



6648319-1

TE Internal Number: 6648319-1



High Current ELCON Drawer Connectors

 Always EU RoHS/ELV Compliant (Statement of Compliance)

Product Highlights:

- Contact
- Contact Type = Socket
- Contact Size = 16
- Termination Type = Crimp (Standard)
- Not Hot Pluggable

Documentation & Additional Information

Product Drawings:

- [CONTACT, SOCKET, SIZE #16, CRIMP, DOMINO](#) (PDF, English)

Catalog Pages/Data Sheets:

- [POWER_CONNECTORS_CATALOG_SEC02_CABLE_MOUNTED](#) (PDF, English)
- [AMP & ELCON Power Connector Layout Forms Datasheet 6...](#) (PDF, English)

Product Specifications:

- None Available

Application Specifications:

- [ELCON Drawer Series Connectors](#) (PDF, English)

Instruction Sheets:

- None Available

CAD Files: (CAD Format & Compression Information)

- [2D Drawing](#) (DXF, Version A)
- [3D Model](#) (IGES, Version A)
- [3D Model](#) (STEP, Version A)

Additional Information:

- [Product Line Information](#)

Related Products:

- [Tooling](#)

Product Features (Please use the Product Drawing for all design activity)

Product Type Features:

- Product Type = Contact
- Termination Type = Crimp (Standard)

Electrical Characteristics:

- Hot Pluggable = No
- Current Rating (A) = 15

Contact Features:

- Contact Type = Socket
- Contact Size = 16
- Contact Base Material = Copper Alloy
- Contact Plating = Gold

Industry Standards:

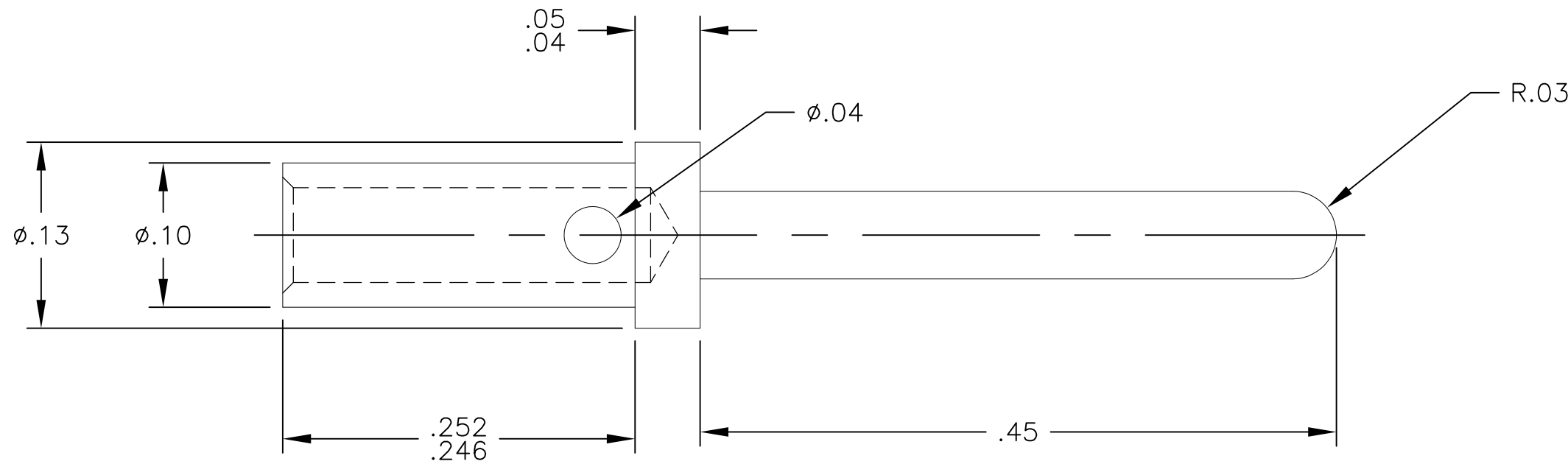
- [RoHS/ELV Compliance](#) = RoHS compliant, ELV compliant
- [Lead Free Solder Processes](#) = Not relevant for lead free process
- RoHS/ELV Compliance History = Always was RoHS compliant

Other:

- Brand = Elcon

THIS DRAWING IS UNPUBLISHED. RELEASED FOR PUBLICATION
 © COPYRIGHT BY TYCO ELECTRONICS CORPORATION. ALL INTERNATIONAL RIGHTS RESERVED.

LOC	DIST	REVISIONS					
GP	00	P	LTR	DESCRIPTION	DATE	DWN	APVD
		B		REV PER ECO-08-014780	24JUN08	RG	DO



5. FOR TERMINATION, USE FOLLOWING EQUIPMENT:
 SHOWN FOR REFERENCE ONLY (USER SUPPLIED)
 CRIMP TOOL: M22520/1-01
 TURRET HEAD/LOCATOR: M22520/1-02
4. FINISH: SILVER PLATED, .000200 MIN THICK
 OVER NICKEL PLATED, .000050 MIN THICK
3. MATERIAL: COPPER ALLOY.
2. ITEMS PROVIDED TO THIS SPECIFICATION SHALL BE IDENTIFIED
 ON THE CONTAINER WITH THE FOLLOWING INFORMATION:
 PART NUMBER & DATE CODE OF MANUFACTURE.
1. PART NUMBER CHANGES AND OR DESIGN CHANGES AFFECTING ITEM
 INTERCHANGEABILITY REQUIRE PRIOR TYCO ELECTRONICS APPROVAL
 AND AUTHORIZATION BY REVISION TO THIS DRAWING.

AS SHOWN	1766194-1
DESCRIPTION	PART NUMBER

THIS DRAWING IS A CONTROLLED DOCUMENT.		DWN	12/02/05	Tyco Electronics Corporation	
DIMENSIONS: INCHES		CHK	-	Harrisburg, PA 17105-3608	
TOLERANCES UNLESS OTHERWISE SPECIFIED:		D. ORRIS	12/02/05	NAME	
0 PLC $\pm -$		APVD	12/02/05	CONTACT, PIN, SIZE No.16	
1 PLC $\pm -$		CHAU/GRZYBOWSKI		CRIMP, REMOVABLE	
2 PLC $\pm .02$		PRODUCT SPEC		DRAWERS/DOMINO	
3 PLC $\pm .010$		APPLICATION SPEC		SIZE	CAGE CODE
4 PLC $\pm -$		WEIGHT	-	A3	00779
ANGLES $\pm .5$		DRAWING NO		G-1766194	
MATERIAL	FINISH	RESTRICTED TO			
-	-				
CUSTOMER DRAWING			SCALE	10:1	SHEET
					1 OF 1
					REV B