

6648434-1 Product Details



6648434-1

TE Internal Number: 6648434-1



High Current ELCON Drawer Connectors

 Always EU RoHS/ELV Compliant (Statement of Compliance)

Product Highlights:

- Contact
- Contact Type = Socket
- Contact Size = 4
- Termination Type = Crimp (Standard)
- Not Hot Pluggable

Documentation & Additional Information

Product Drawings:

- [CONTACT,SOCKET,1/4 WITH #4 AWG CRIMP BARREL,SINGLE CROWN](#) (PDF, English)

Catalog Pages/Data Sheets:

- [1-1773701-9_Bus Bar Power Quick Reference Guide](#) (PDF, English)
- [POWER_CONNECTORS_CATALOG_SEC02_CABLE_MOUNTED](#) (PDF, English)
- [CORCOM_DB_SERIES](#) (PDF, English)
- [AMP & ELCON Power Connector Layout Forms Datasheet 6...](#) (PDF, English)

Product Specifications:

- None Available

Application Specifications:

- [ELCON Drawer Series Connectors](#) (PDF, English)

Instruction Sheets:

- None Available

CAD Files: (CAD Format & Compression Information)

- [2D Drawing](#) (DXF, Version A)
- [3D Model](#) (IGES, Version A)
- [3D Model](#) (STEP, Version A)

Additional Information:

- [Product Line Information](#)

Related Products:

- [Tooling](#)

Product Features (Please use the Product Drawing for all design activity)

Product Type Features:

- Product Type = Contact
- Termination Type = Crimp (Standard)

Electrical Characteristics:

- Hot Pluggable = No
- Current Rating (A) = 125

Contact Features:

- Contact Type = Socket
- Contact Size = 4
- Contact Base Material = Copper
- Contact Plating = Silver

Industry Standards:

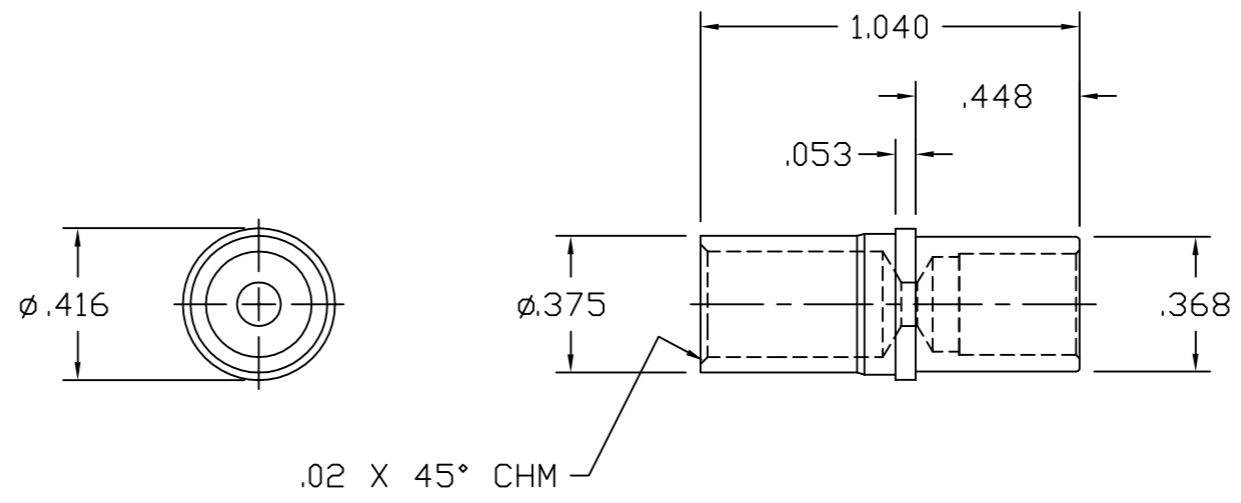
- [RoHS/ELV Compliance](#) = RoHS compliant, ELV compliant
- [Lead Free Solder Processes](#) = Not relevant for lead free process
- [RoHS/ELV Compliance History](#) = Always was RoHS compliant

Other:

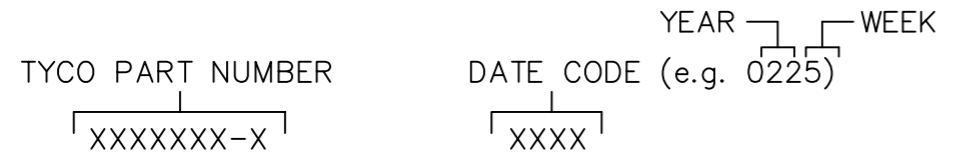
- Brand = Elcon

This drawing involves proprietary design rights of Tyco Electronics Corporation, and all design, manufacture, reproduction, use and sale rights regarding the same are expressly reserved. It is submitted for a specific purpose and the recipient by accepting this drawing, assumes custody and control and agrees to take reasonable precautions; (a) that this drawing will not be copied and reproduced, in whole or in part, or its contents revealed in any manner, or to any person except to meet the purpose for which it was delivered and (b) that any special features peculiar to this design will not be incorporated in other projects without the expressed written permission of Tyco Electronics Corporation.

REVISIONS			
EC	REV	DESCRIPTION	DATE
CPR	A	NEW RELEASE	12/16/05



- 4. FINISH: SILVER PLATED.
- 3. MATERIAL: TELLURIUM COPPER ALLOY.
- 2. ITEMS PROVIDED TO THIS SPECIFICATION TO BE PERMANENTLY IDENTIFIED PER THE FOLLOWING IDENTIFIER:



1. PART NUMBER CHANGES AND OR DESIGN CHANGES AFFECTING ITEM INTERCHANGEABILITY REQUIRE PRIOR TYCO APPROVAL AND AUTHORIZATION BY REVISION TO THIS DRAWING.

NOTES: UNLESS OTHERWISE SPECIFIED

INCH OR INCH (MM) THIRD ANGLE PROJECTION UNLESS OTHERWISE SPECIFIED DIMENSIONS ARE IN INCHES (METRIC) TOLERANCES ANGLES ± .5° DECIMALS .XXX ± .010 (.25) .XX ± .02 (.3)	DRAWN RHM/M. ALIM	DATE 12/16/05	tyco Tyco Electronics Corporation Electronics Menlo Park, Ca 94025		
	CHECKED		TITLE		
	APPROVED		CONTACT, SOCKET, SIZE 1/4" WITH #4 AWG CRIMP BARREL, SINGLE CROWN PN 6648434-1		
	APPROVED		SIZE	DWG NUMBER	REV.
	D. CHAU	12/16/05	B	C = 6648434	A
	M. ALIM	12/16/05	ACAD FILE NUMBER C6648434A.DWG		DWG SCALE 2=1 SH 1 OF 1