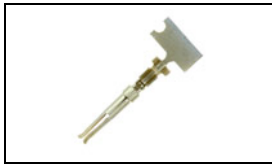


66504-2 Product Details

[Share](#) [Print](#) [Email](#)



66504-2

TE Internal Number: 66504-2
Active

[View 3D PDF](#)

Standard Cable Connectors

Always EU RoHS/ELV Compliant (Statement of Compliance)

Product Highlights:

- Contact
- Product Series = HDP-20 (Crimp Snap)
- Contact Type = Socket
- Phosphor Bronze Contact Base Material
- Crimp Termination Method to Wire/Cable

[View all Features](#)

Quick Links

- ▶ [Pricing & Availability](#)
- ▶ [Search for Tooling](#)
- ▶ [Product Feature Selector](#)
- ▶ [Contact Us About This Product](#)

[Add to My Part List](#) [Request Sample](#) [Find Similar Products](#) [Buy Product](#)

Documentation & Additional Information

Product Drawings:

- [SOCKET CONTACT, SIZE 20 DF, 20-24 AWG, AMPLIMITE \(1\) \(PDF, English\)](#)
- [SOCKET CONTACT, SIZE 20 DF, 20-24 AWG, AMPLIMITE \(2\) \(PDF, English\)](#)

Catalog Pages/Data Sheets:

- None Available

Product Specifications:

- [AMPLIMITE HDP-20 Subminiature D Connector With F Cri... \(PDF, English\)](#)

Application Specifications:

- [HD-20 Precision Formed Contacts \(PDF, English\)](#)
- [AMPLIMITE HDP-20 and Economy Crimp Snap Subminiature... \(PDF, English\)](#)

Instruction Sheets:

- [AMPLIMITE High Density \(HDP-20\) Connectors with Crim... \(PDF, English\)](#)
- [PRO-CRIMPER III Hand Crimping Tool Assembly 58448-2 ... \(PDF, English\)](#)
- [Insertion/Extraction Tool 91285-1 and Replacement Ti... \(PDF, English\)](#)

CAD Files: (CAD Format & Compression Information)

- [2D Drawing \(DXF, Version CN\)](#)
- [3D Model \(IGES, Version CN\)](#)
- [3D Model \(STEP, Version CN\)](#)

[List all Documents](#)

Additional Information:

- [Product Line Information](#)

Related Products:

- [Tooling](#)

Product Features (Please use the Product Drawing for all design activity)

Product Type Features:

- Product Type = Contact
- Product Series = HDP-20 (Crimp Snap)
- Wire Insulation Diameter (mm [in]) = 1.27 - 1.52 [0.050 - 0.060]
- Insulation Support = Yes
- Grade = Standard

Mechanical Attachment:

- Contact Retention in Housing = Crimp Snap-In

Termination Features:

- Termination Method to Wire/Cable = Crimp

Body Features:

- Wire Range (mm² [AWG]) = 0.2 - 0.6 [24-20]

Contact Features:

- Contact Type = Socket
- Contact Base Material = Phosphor Bronze
- Contact Plating, Mating Area, Material = Gold (50)
- Contact Size = 20

Industry Standards:

- [RoHS/ELV Compliance](#) = RoHS compliant, ELV compliant
- [Lead Free Solder Processes](#) = Not relevant for lead free process
- [RoHS/ELV Compliance History](#) = Always was RoHS compliant

Packaging Features:

- Packaging Method = Strip

Other:

- Brand = AMP

Corporate Information

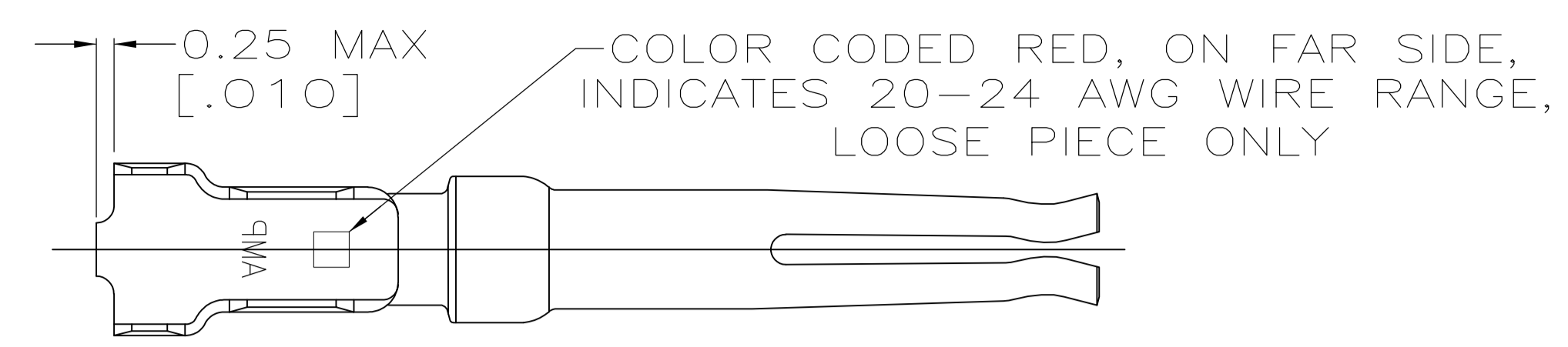
[About TE](#)
[Investors](#)
[News Room](#)
[Supplier Portal](#)
[Careers](#)

Quick Links

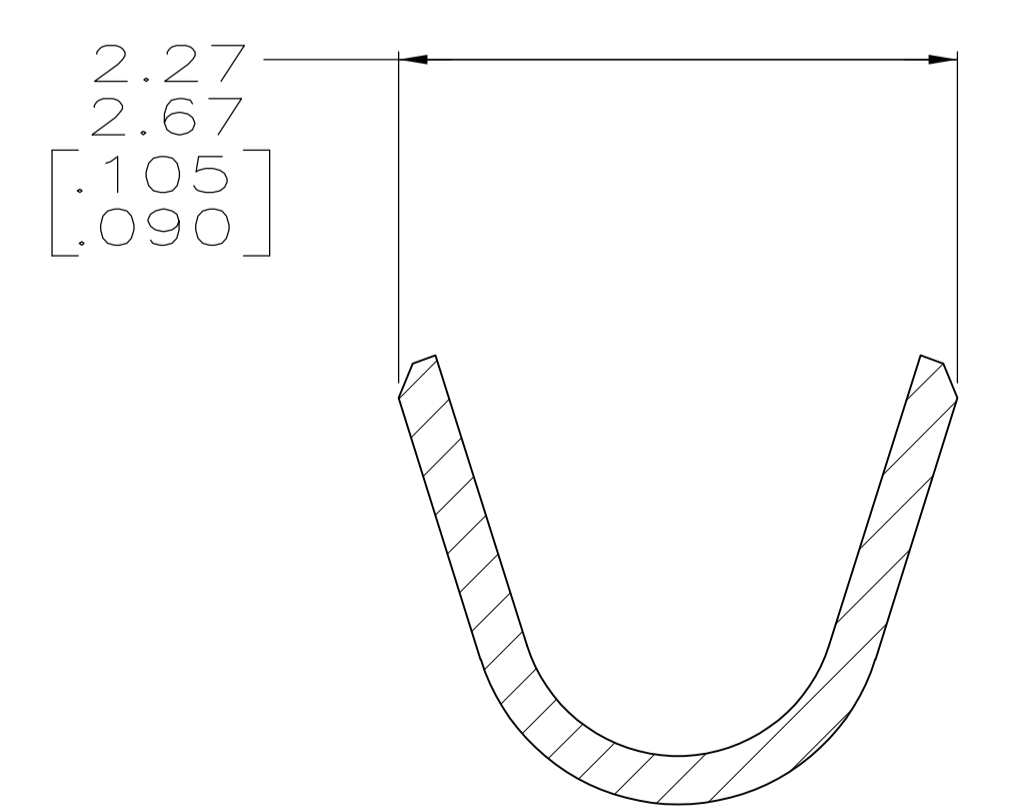
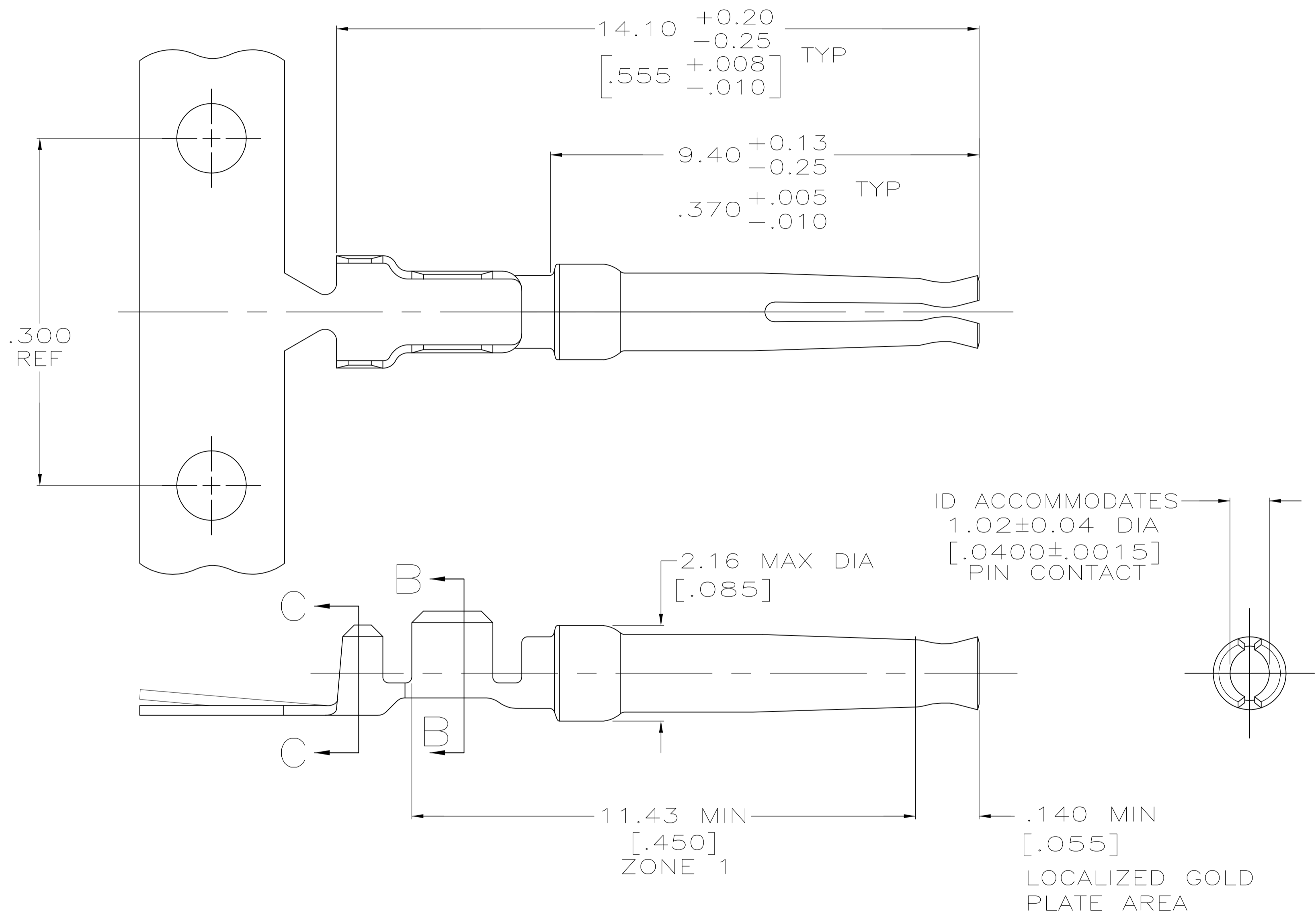
[Distributor Inventory](#)
[Product Cross Reference](#)
[Documents & Drawings](#)
[Product Compliance Support Center](#)
[Site Map](#)

Customer Support

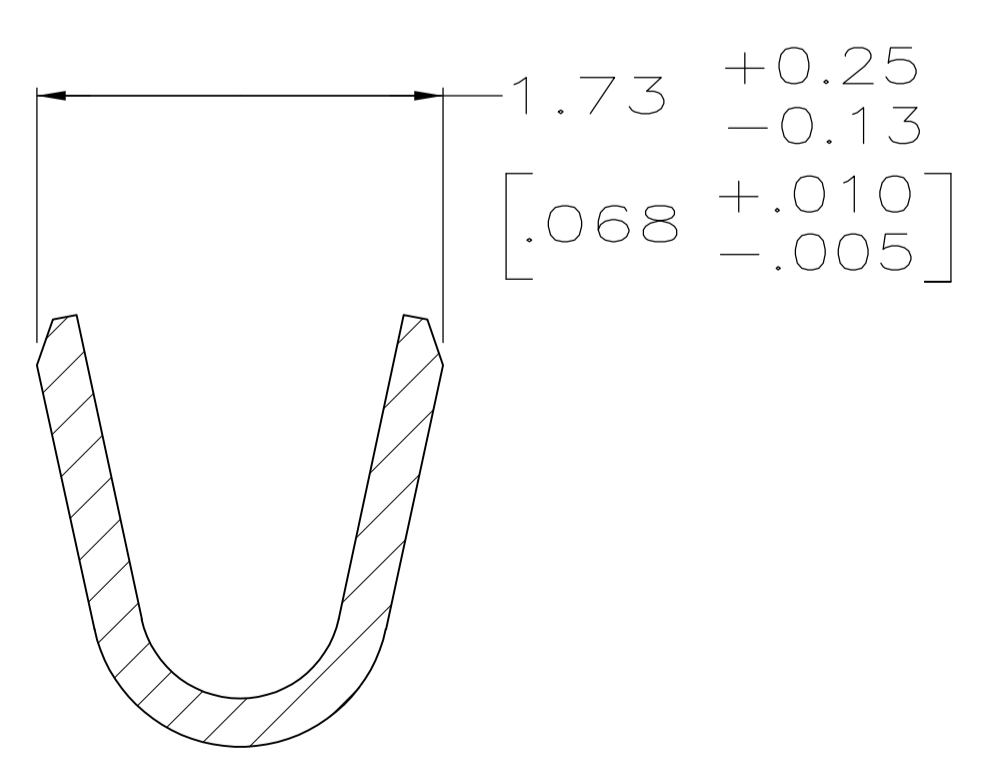
[Email or Chat With Us](#)
[Find a Phone Number](#)
[Knowledge Base](#)
[Manage Your Account](#)



DETAIL Z
SCALE 8:1



SECTION C-C
SCALE 20:1
INSULATION BARREL



SECTION B-B
SCALE 20:1
WIRE BARREL

- 1 FOR MINI-APPLICATOR AND STRIPPER CRIMPER.
- 2 FOR HAND TOOL USE ONLY.
- 3 FOR STANDARD APPLICATOR PART #566171 ONLY.
- 4. WIRE RANGE OF 20-24 AWG. INSULATION RANGE OF 1.27/1.52 [.050-.060].
- 5. GOLD PLATING MAY NOT APPEAR ON CARRIER STRIP. NICKEL UNDERPLATE COVERS ENTIRE CONTACT.
- 6 GOLD PLATING PER MIL-G-45204, NICKEL PLATING PER QQ-N-290, TIN PLATING PER MIL-T-10727, COPPER PLATING PER MIL-C-14550.
- 7 PLATED WITH 1.27µm [.000050] GOLD ON INSIDE OF LOCALIZED GOLD PLATE AREA, 1.27µm [.000050] GOLD ON ZONE 1, ALL OVER 1.27µm [.000050] NICKEL UNDERPLATE.
- 8 PLATED WITH 0.76µm [.000030] GOLD ON INSIDE OF LOCALIZED GOLD PLATE AREA, GOLD FLASH ON ZONE 1, ALL OVER 1.27µm [.000050] NICKEL UNDERPLATE.
-OR-
GOLD FLASH OVER PALLADIUM-NICKEL 0.76µm [.000030] TOTAL ON INSIDE OF LOCALIZED GOLD PLATE AREA, GOLD FLASH ON ZONE 1, ALL OVER 1.27µm [.000050] NICKEL UNDERPLATE.
- 9 GOLD FLASH ON INSIDE OF LOCALIZED GOLD PLATE AREA, GOLD FLASH ON ZONE 1, ALL OVER 0.76µm [.000030] NICKEL UNDERPLATE.
- 10 PLATED WITH 2.54µm - 5.08µm [.000100 - .000200] TIN.
- 11 PLATED WITH 0.38µm [.000015] GOLD IN LOCALIZED GOLD PLATE AREA, GOLD FLASH ON REMAINDER, OVER 1.27µm [.000050] NICKEL.
- 12 PLATED WITH GOLD FLASH IN LOCALIZED GOLD PLATE AREA, 2.54µm [.000100] TIN PLATED WIRE BARRELS, OVER 0.76µm [.000030] NICKEL.
- 13 PLATED WITH 0.76µm [.000030] GOLD IN LOCALIZED GOLD PLATE AREA, TIN PLATED WIRE BARRELS, OVER 1.27µm [.000050] NICKEL.
- 14 AMP ITALY PART NUMBER ONLY.
- 15 PLATED WITH 1.27µm [.000050] GOLD ON INSIDE OF LOCALIZED GOLD PLATE AREA, GOLD FLASH ON ZONE 1, ALL OVER 1.27µm [.000050] NICKEL UNDERPLATE.
- 16 PLATED WITH GOLD FLASH IN LOCALIZED GOLD PLATE AREA, 0.76µm [.000030] MIN TIN PLATED WIRE BARRELS, OVER 0.76µm [.000030] MIN NICKEL.

OBSOLETE	SPECIAL	13	1	-	7-66504-4
OBSOLETE	SPECIAL	13	1	-	7-66504-3
OBSOLETE	STANDARD	16	1	-	7-66504-2
OBSOLETE	STANDARD	13	3	-	7-66504-1
	SMALL PACK	8	2	SEE DETAIL Z	7-66504-0
	STANDARD	15	1	-	6-66504-8
OBSOLETE	STANDARD	13	2	SEE DETAIL Z	6-66504-0
OBSOLETE	STANDARD	13	1	-	5-66504-9
OBSOLETE	STANDARD	12	2	SEE DETAIL Z	5-66504-7
OBSOLETE	STANDARD	12	1	-	5-66504-6
OBSOLETE	STANDARD	10	1	-	1-66504-4
	STANDARD	8	3	-	1-66504-2
	STANDARD	9	2	SEE DETAIL Z	1-66504-0
	STANDARD	8	2	SEE DETAIL Z	66504-9
	STANDARD	7	2	SEE DETAIL Z	66504-8
	STANDARD	9	1	-	66504-4
	STANDARD	8	1	-	66504-3
	STANDARD	7	1	-	66504-2
PACKAGING TYPE	FINISH	USE	LOOSE PIECE	PART NUMBER	

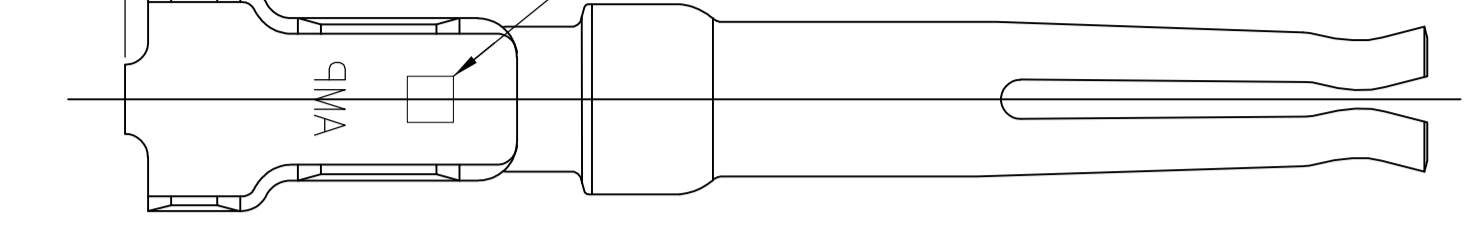
THIS DRAWING IS A CONTROLLED DOCUMENT. DIMENSIONING AND TOLERANCING PER ASME Y14.5M-2009. TOLERANCES UNLESS OTHERWISE SPECIFIED: 0 PLC ± .005, 1 PLC ± .005, 2 PLC ± .013 [.005], 3 PLC ± .013 [.005], 4 PLC ± .013 [.005]. ANGLES ± .005. MATERIAL PHOSPHOR BRONZE PER QQ-B-750. FINISH SEE TABLE.

DIN C. RICHARD 3-19-90	APVD J. ASSINI 3-28-90	NAME	RESTRICTED TO
CHK W. G. LENKER 3-22-90	APVD	PRODUCT SPEC	
	APVD	APPLICATION SPEC	
	WEIGHT	SIZE	
		CAGE CODE	
		DRAWING NO	
		SCALE	
		SHEET	
		1 OF 1	
		REV	

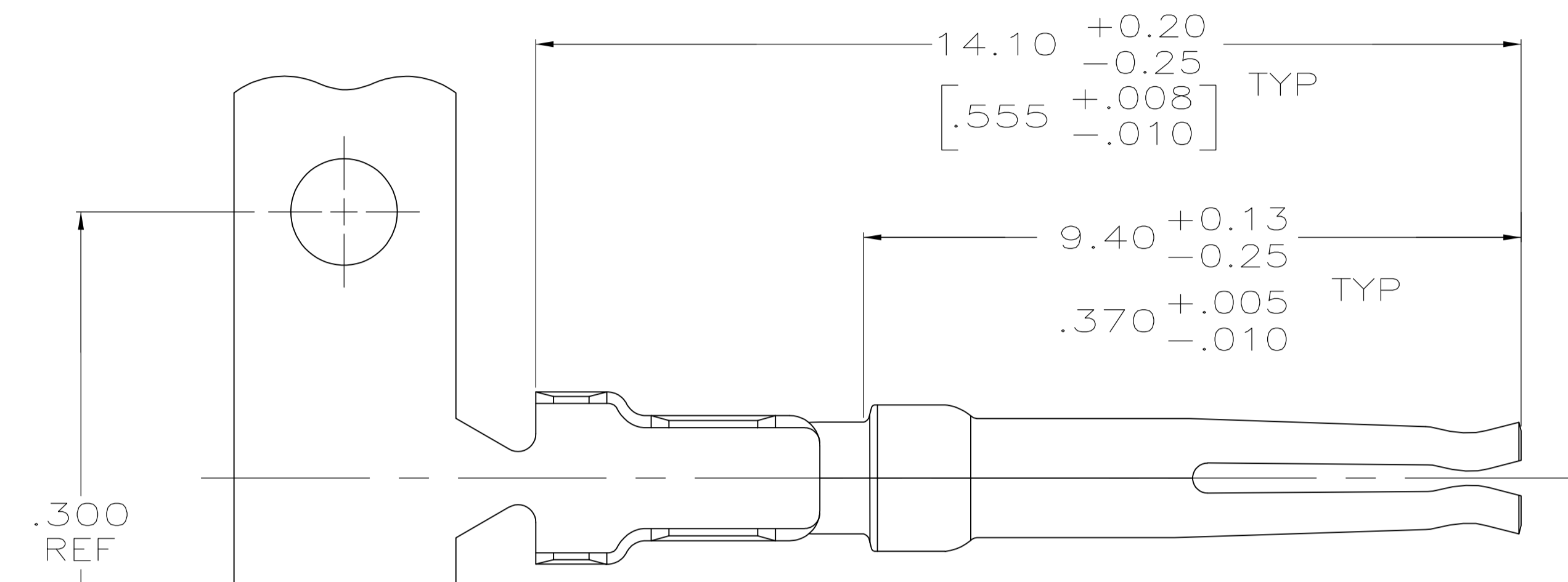
STE TE Connectivity
SOCKET CONTACT, SIZE 20 DF, 20-24 AWG, AMPLIMITE
A1 00779 66504
CUSTOMER DRAWING SCALE 15:1 SHEET 1 OF 1 REV AP

0.25 MAX
[.010]

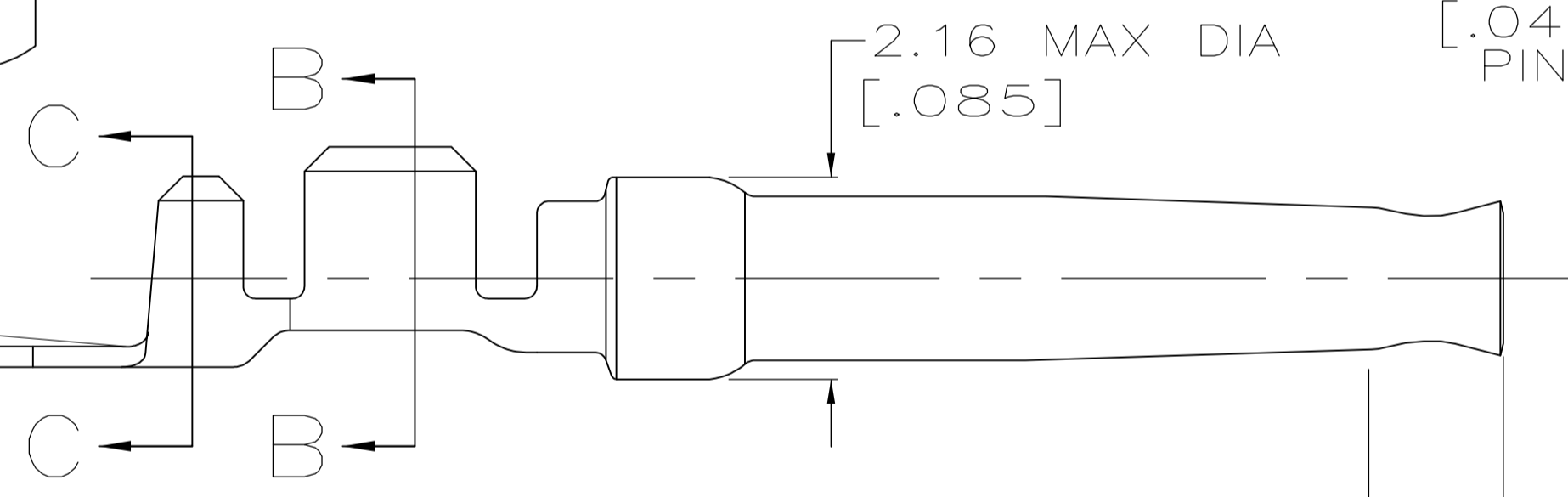
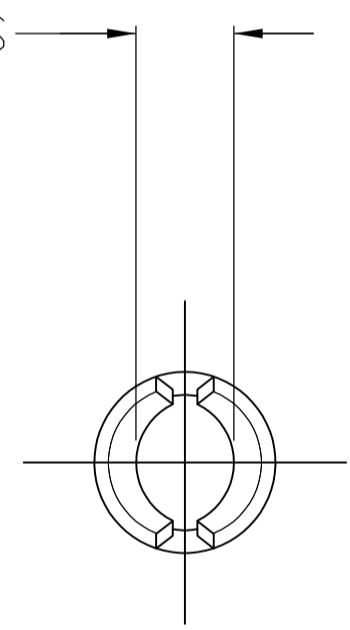
COLOR CODED RED, ON FAR SIDE, INDICATES 20-24 AWG WIRE RANGE, LOOSE PIECE ONLY



DETAIL Z
SCALE 8:1



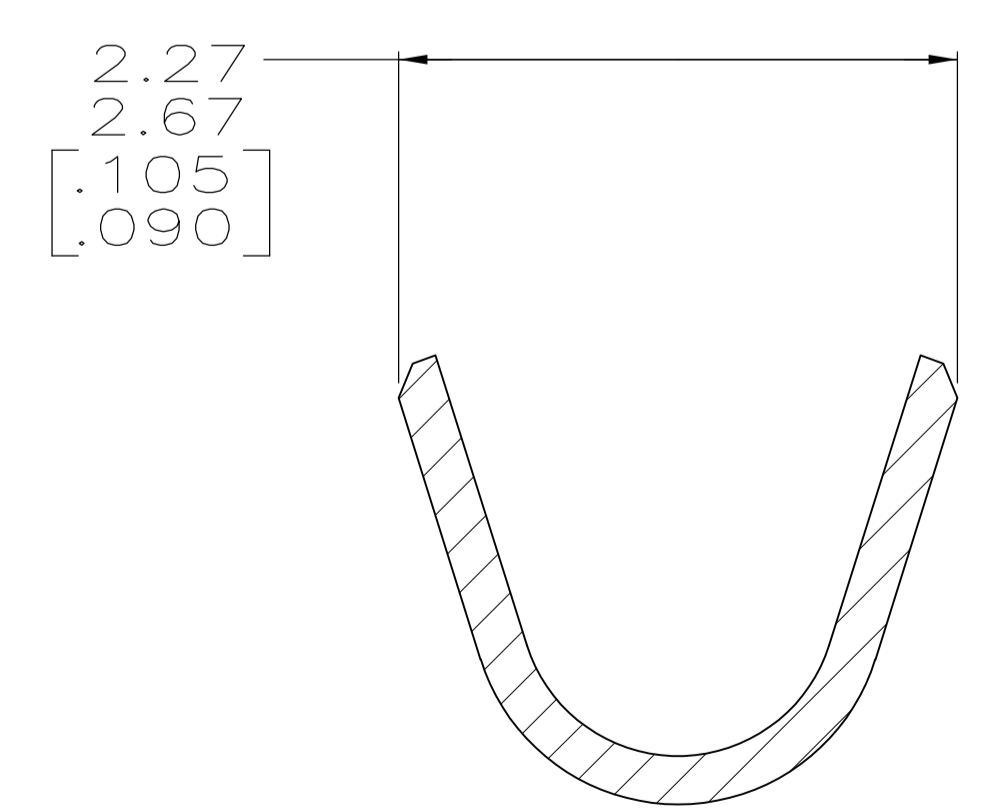
ID ACCOMMODATES
1.02±0.04 DIA
[.0400±.0015]
PIN CONTACT



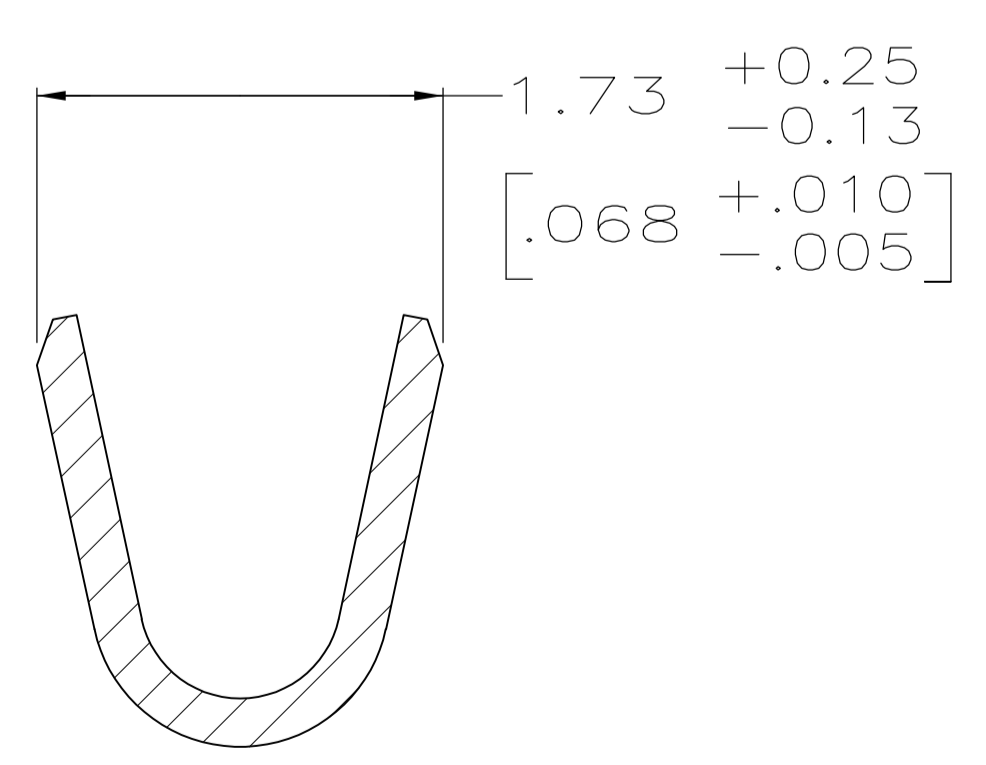
2.16 MAX DIA
[.085]

LOCALIZED GOLD PLATE AREA

.140 MIN
[.055]



SECTION C-C
SCALE 20:1
INSULATION BARREL



SECTION B-B
SCALE 20:1
WIRE BARREL

- 1 FOR MINI-APPLICATOR AND STRIPPER CRIMPER.
- 2 FOR HAND TOOL USE ONLY.
- 3. WIRE RANGE OF 20-24 AWG. INSULATION RANGE OF 1.27/1.52 [.050-.060].
- 4. GOLD PLATING MAY NOT APPEAR ON CARRIER STRIP OR INSULATION BARREL.
- 5 GOLD PLATING PER MIL-G-45204, NICKEL PLATING PER QQ-N-290.
- 6 PLATED WITH 1.27µm [.000050] GOLD ON INSIDE OF LOCALIZED GOLD PLATE AREA, 1.27µm [.000050] GOLD ON REMAINDER, ALL OVER 1.27µm [.000050] NICKEL UNDERPLATE.
- 7 PLATED WITH 1.27µm [.000050] GOLD ON INSIDE OF LOCALIZED GOLD PLATE AREA, GOLD FLASH ON REMAINDER, ALL OVER 1.27µm [.000050] NICKEL UNDERPLATE.

STANDARD	7	1	-	6-66504-8
STANDARD	6	2	SEE DETAIL Z	66504-8
STANDARD	6	1	-	66504-2
PACKAGING TYPE	FINISH	USE	LOOSE PIECE	PART NUMBER

THIS DRAWING IS A CONTROLLED DOCUMENT. DIMENSIONING AND TOLERANCING PER ASME Y14.5M-2009.

DIMENSIONS: mm [INCHES]	TOLERANCES UNLESS OTHERWISE SPECIFIED:	DIN C. VALENTINE 04MAR2013	APVD C. ROHDE 04MAR2013	NAME
0 PLC ± -	1 PLC ± -	2 PLC ± 0.13 [.005]	3 PLC ± -	4 PLC ± -
ANGLES ± -	FINISH SEE TABLE	WEIGHT	SIZE	CAGE CODE
MATERIAL PHOSPHOR BRONZE PER QQ-B-750	FINISH SEE TABLE	WEIGHT	A1	00779
CUSTOMER DRAWING		SCALE 15:1	SHEET 1 OF 1	REV A

STE TE Connectivity

SOCKET CONTACT, SIZE 20 DF, 20-24 AWG, AMPLIMITE