

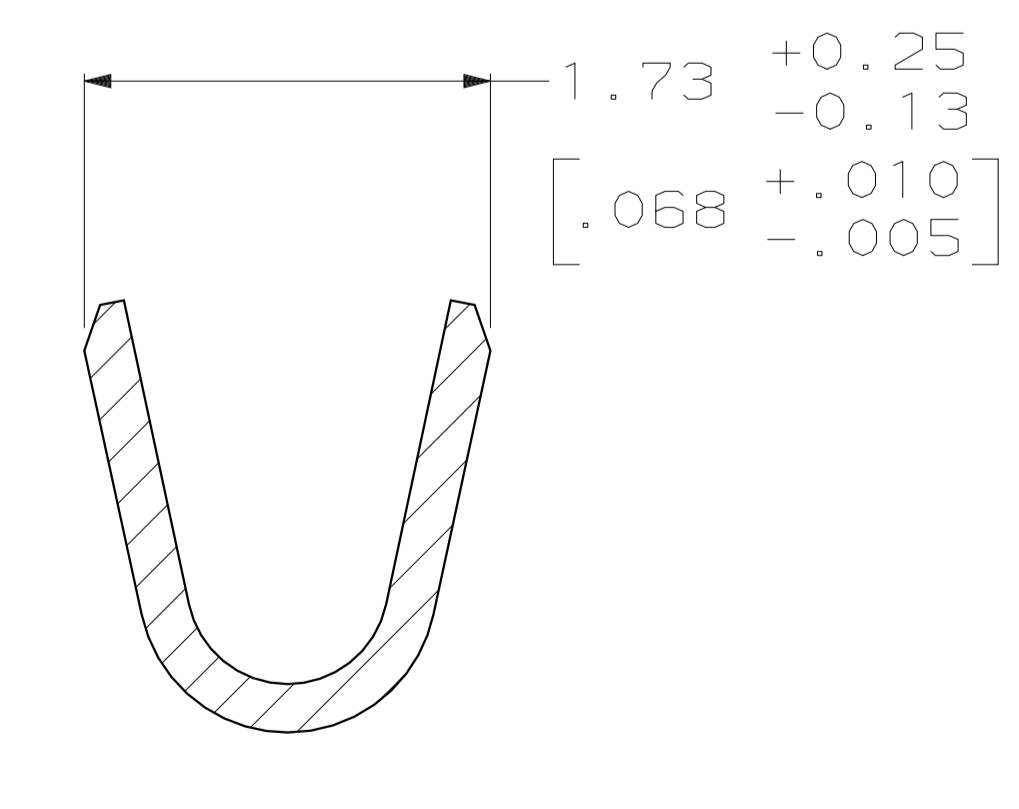
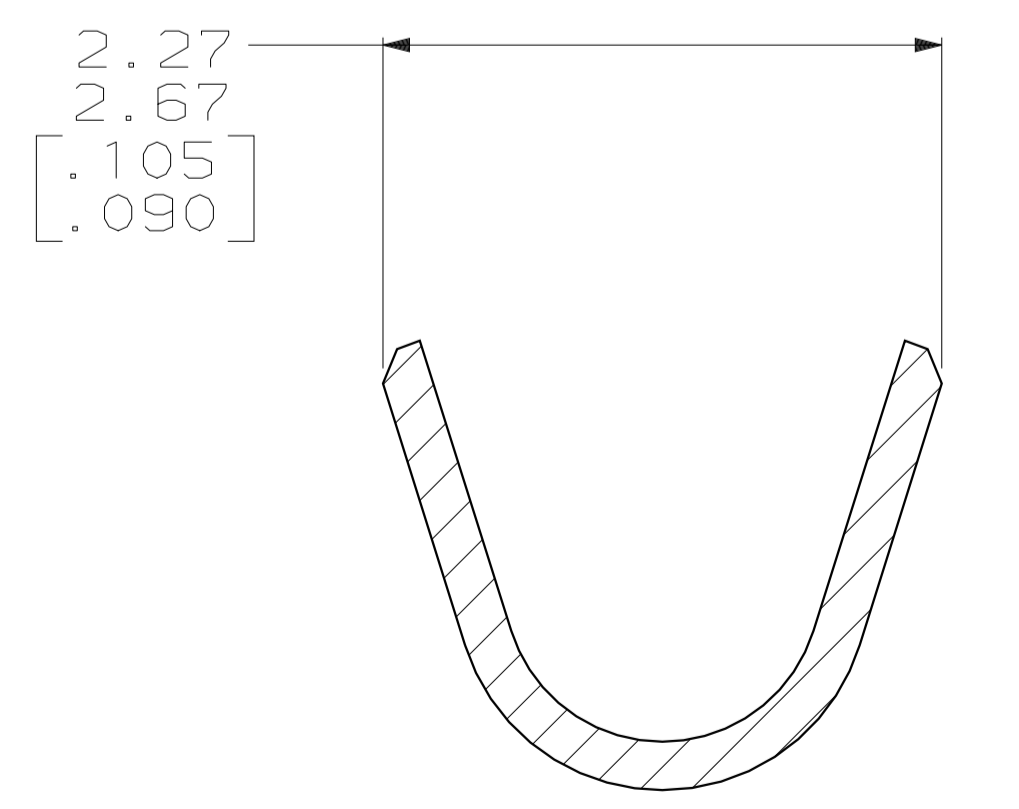
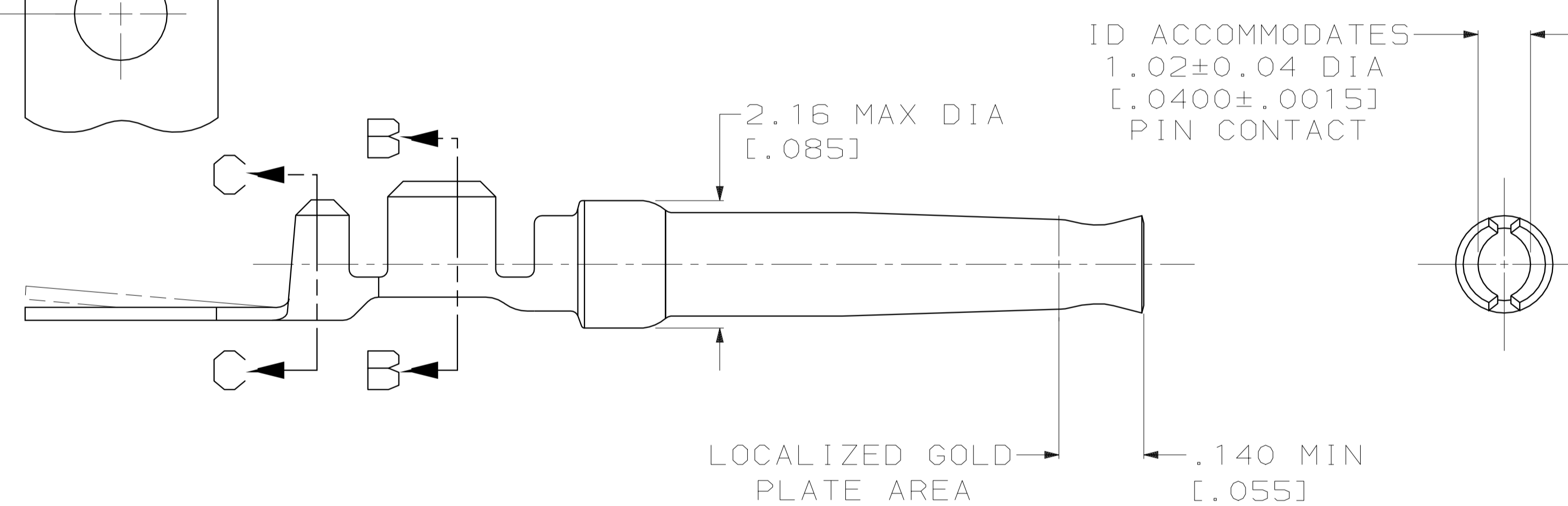
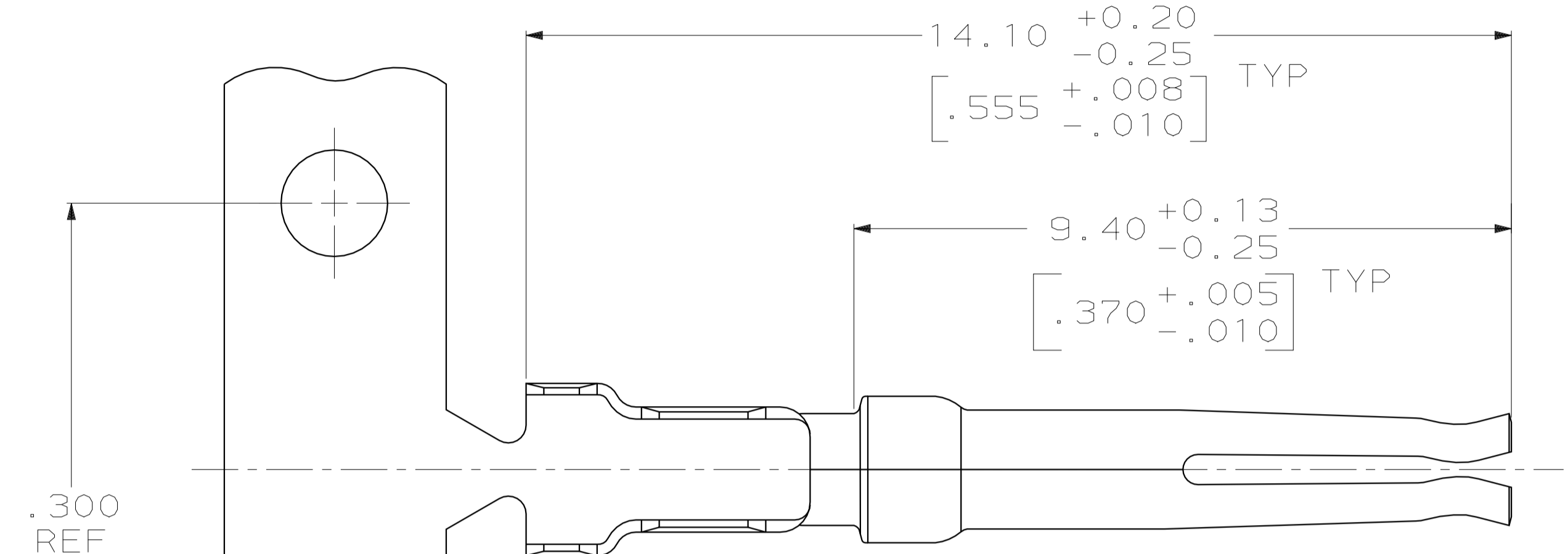
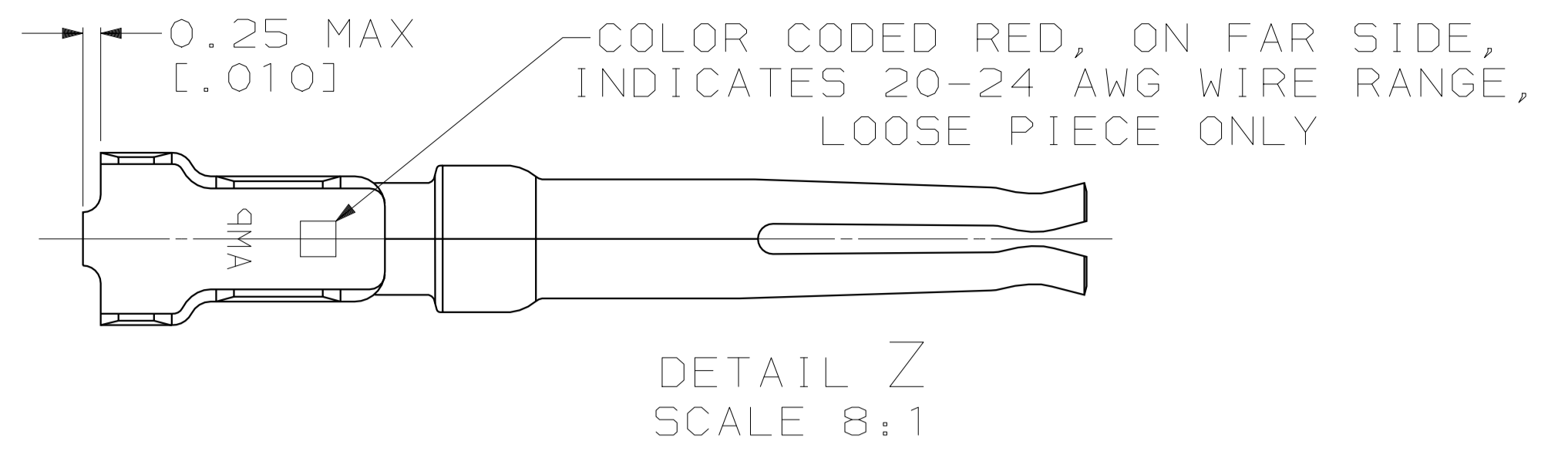
Distributed by:

JAMECO[®]
ELECTRONICS

www.Jameco.com ♦ 1-800-831-4242

The content and copyrights of the attached
material are the property of its owner.

Jameco Part Number 860001



- 1 FOR MINI-APPLICATOR AND STRIPPER CRIMPER.
- 2 FOR HAND TOOL USE ONLY.
- 3 FOR STANDARD APPLICATOR PART #566171 ONLY.
- 4. WIRE RANGE OF 20-24 AWG. INSULATION RANGE OF 1.27/1.52 [.050-.060].
- 5. GOLD PLATING MAY NOT APPEAR ON CARRIER STRIP.
- 6 GOLD PLATING PER MIL-G-45204, NICKEL PLATING PER QQ-N-290, TIN PLATING PER MIL-T-10727, COPPER PLATING PER MIL-C-14550.
- 7 PLATED WITH 1.27µm [.000050] GOLD OVER 1.27µm [.000050] NICKEL.
- 8 PLATED WITH 0.76µm [.000030] GOLD IN LOCALIZED GOLD PLATE AREA, GOLD FLASH ON REMAINDER, OVER 1.27µm [.000050] NICKEL.
- 9 PLATED WITH GOLD FLASH OVER 0.76µm [.000030] NICKEL.
- 10 PLATED WITH 2.54µm - 5.08µm [.000100 - .000200] TIN.
- 11 PLATED WITH 0.38µm [.000015] GOLD IN LOCALIZED GOLD PLATE AREA, GOLD FLASH ON REMAINDER, OVER 1.27µm [.000050] NICKEL.
- 12 PLATED WITH GOLD FLASH IN LOCALIZED GOLD PLATE AREA, 2.54µm [.000100] TIN PLATED WIRE BARRELS, OVER 0.76µm [.000030] NICKEL.
- 13 PLATED WITH 0.76µm [.000030] GOLD IN LOCALIZED GOLD PLATE AREA, TIN PLATED WIRE BARRELS, OVER 1.27µm [.000050] NICKEL.
- 14 AMP ITALY PART NUMBER ONLY.
- 15 PLATED WITH 1.27µm [.000050] GOLD IN LOCALIZED GOLD PLATE AREA, GOLD FLASH ON REMAINDER, OVER 1.27µm [.000050] NICKEL.
- 16 PLATED WITH GOLD FLASH IN LOCALIZED GOLD PLATE AREA, 0.76µm [.000030] MIN TIN PLATED WIRE BARRELS, OVER 0.76µm [.000030] MIN NICKEL.

| | | | | | |
|----------------|------------|-----|-------------|--------------|-----------|
| | SPECIAL | 13 | 1 | - | 7-66504-4 |
| OBSOLETE | SPECIAL | 13 | 1 | - | 7-66504-3 |
| | STANDARD | 16 | 1 | - | 7-66504-2 |
| OBSOLETE | STANDARD | 13 | 3 | - | 7-66504-1 |
| | SMALL PACK | 8 | 2 | SEE DETAIL Z | 7-66504-0 |
| | STANDARD | 15 | 1 | - | 6-66504-8 |
| | STANDARD | 13 | 2 | SEE DETAIL Z | 6-66504-0 |
| | STANDARD | 13 | 1 | - | 5-66504-9 |
| | STANDARD | 12 | 2 | SEE DETAIL Z | 5-66504-7 |
| | STANDARD | 12 | 1 | - | 5-66504-6 |
| OBSOLETE | STANDARD | 10 | 1 | - | 1-66504-4 |
| | STANDARD | 8 | 3 | - | 1-66504-2 |
| | STANDARD | 9 | 2 | SEE DETAIL Z | 1-66504-0 |
| | STANDARD | 8 | 2 | SEE DETAIL Z | 66504-9 |
| | STANDARD | 7 | 2 | SEE DETAIL Z | 66504-8 |
| | STANDARD | 9 | 1 | - | 66504-4 |
| | STANDARD | 8 | 1 | - | 66504-3 |
| | STANDARD | 7 | 1 | - | 66504-2 |
| PACKAGING TYPE | FINISH | USE | LOOSE PIECE | PART NUMBER | |

THIS DRAWING IS A CONTROLLED DOCUMENT.

DW: RICHARD 3-19-90
 CK: G. LENKER 3-22-90
 APVD: J. ASSINI 3-28-90

AMP INCORPORATED
 HARRISBURG, PA 17105-3608

SOCKET CONTACT, SIZE 20 DF, 20-24 AWG, AMPLIMITE

SIZE: A1 CAGE CODE: 00779 DRAWING NO: 66504

MATERIAL: PHOSPHOR BRONZE PER QQ-B-750
 FINISH: SEE TABLE

WEIGHT: -
 CUSTOMER DRAWING

SCALE: 15:1 SHEET: 1 OF 1 REV: AJ