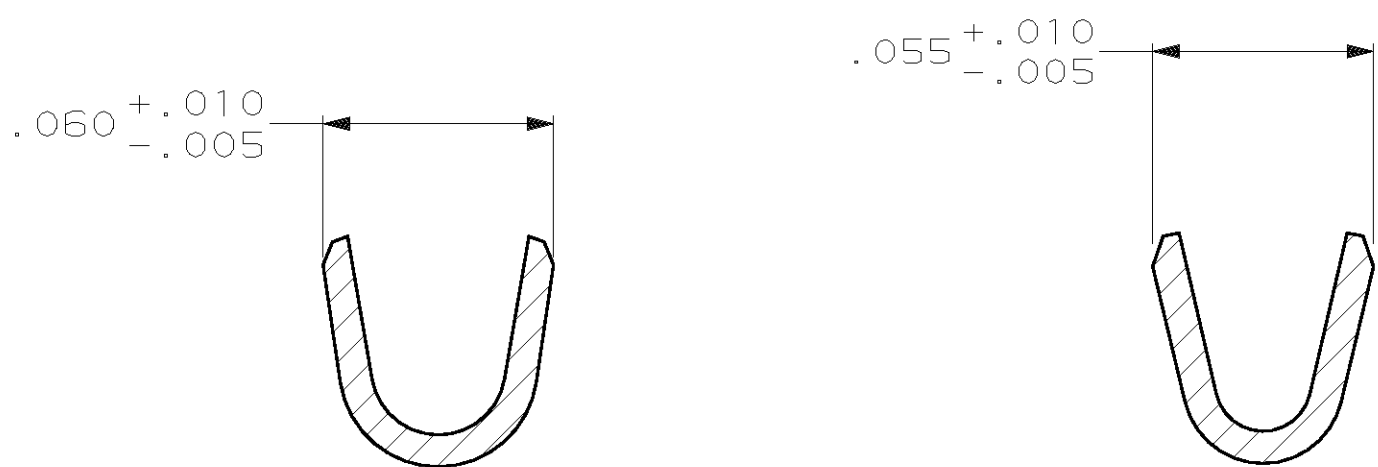
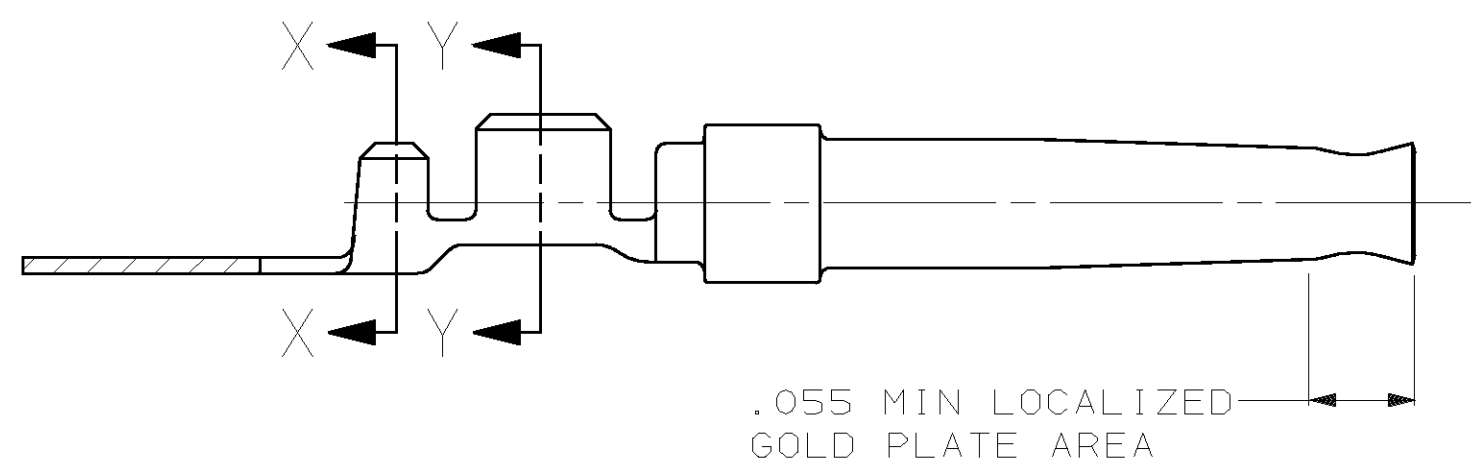
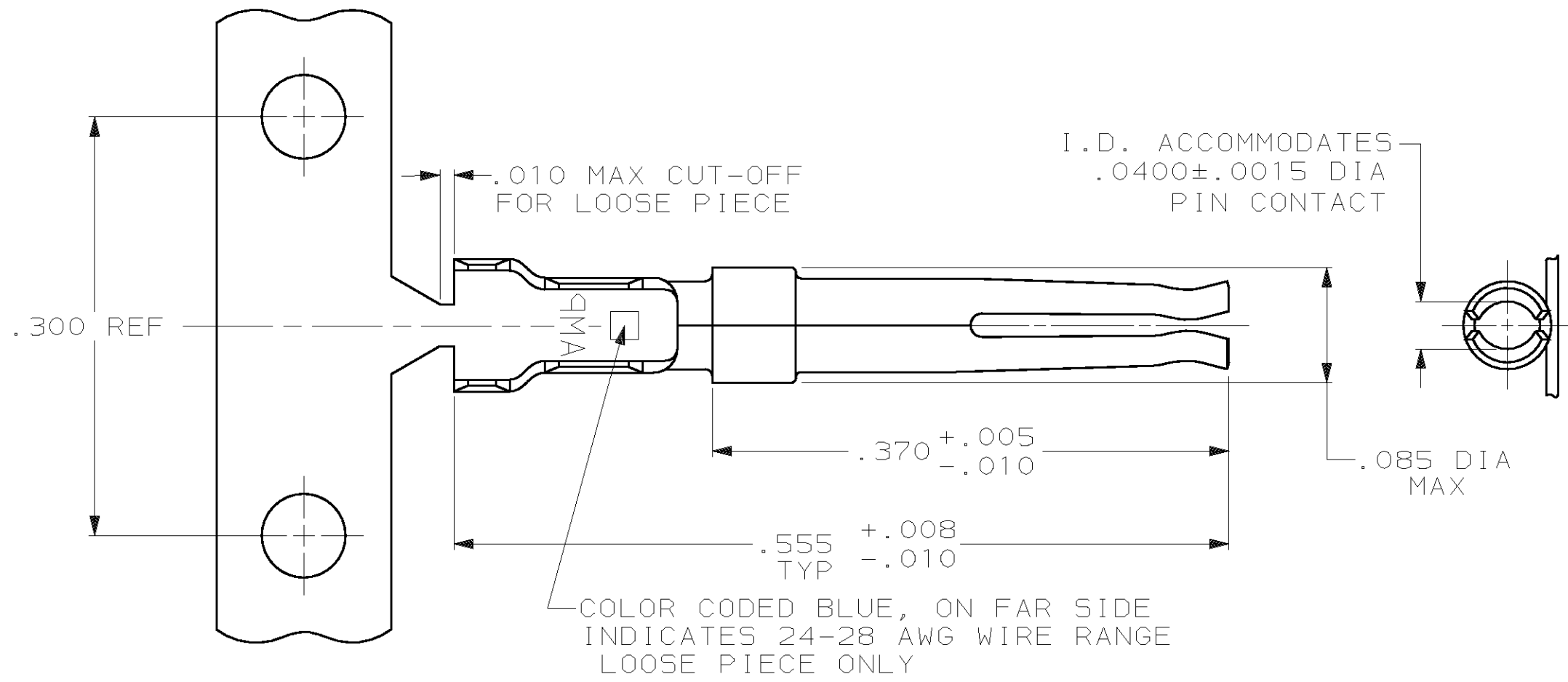


THIS DRAWING IS UNPUBLISHED. RELEASED FOR PUBLICATION, 19
 © COPYRIGHT 19 BY AMP INCORPORATED, HARRISBURG, PA. ALL INTERNATIONAL RIGHTS RESERVED. AMP PRODUCTS MAY BE COVERED BY U.S. AND FOREIGN PATENTS AND/OR PATENTS PENDING.

LOC	DIST	P	F	ZONE	LTR	DESCRIPTION	DATE	APPD
GP	00				AK	REVISED PER EC 0513-0063-02	29APR02	JG



SECTION X-X
SCALE 20:1

SECTION Y-Y
SCALE 20:1

- 1 FOR MINI-APPLICATOR AND STRIPPER CRIMPER.
- 2 FOR HAND TOOL USE ONLY.
- 3 FOR STANDARD APPLICATOR PART #566184 ONLY.
- 4. WIRE RANGE OF 24-28, INSULATION RANGE OF .030-.040.
- 5. GOLD PLATING MAY NOT APPEAR ON CARRIER STRIP.
- 6 GOLD PLATING PER MIL-G-45204, NICKEL PLATING PER QQ-N-290, TIN PLATING PER MIL-T-10727, COPPER PLATING PER MIL-C-14550.
- 7 PLATED WITH .000050 GOLD OVER .000050 NICKEL.
- 8 PLATED WITH .000030 GOLD IN LOCALIZED GOLD PLATE AREA, GOLD FLASH ON REMAINDER, OVER .000050 NICKEL.
- 9 PLATED WITH GOLD FLASH OVER .000030 NICKEL.
- 10 PLATED WITH .000100-.000200 TIN.
- 11 PLATED WITH .000050 GOLD IN LOCALIZED GOLD PLATE AREA, GOLD FLASH ON REMAINDER, OVER .000050 NICKEL.
- 12 PLATED WITH .000015 GOLD IN LOCALIZED GOLD PLATE AREA, GOLD FLASH ON REMAINDER, OVER .000050 NICKEL.
- 13 PLATED WITH GOLD FLASH IN LOCALIZED GOLD PLATE AREA, TIN PLATED WIRE BARRELS, OVER .000030 NICKEL.
- 14 PLATED WITH .000030 GOLD IN LOCALIZED GOLD PLATE AREA, TIN PLATED WIRE BARRELS, OVER .000050 NICKEL.
- 15 AMP ITALY PART NUMBER ONLY.

SUPERSEDED BY 66505-9

15 OBSOLETE

SUPERSEDED BY 5-66505-7

OBSOLETE

OBSOLETE

STANDARD	FINISH	USE	TYPE	PART NUMBER
STANDARD	13	3	STRIP	7-66505-0
SMALL PACK	8	2	LOOSE PIECE	6-66505-9
STANDARD	14	2	LOOSE PIECE	6-66505-2
STANDARD	14	1	STRIP	6-66505-0
STANDARD	13	2	LOOSE PIECE	5-66505-9
STANDARD	13	1	STRIP	5-66505-7
STANDARD	11	1	STRIP	2-66505-7
STANDARD	10	1	STRIP	1-66505-4
STANDARD	9	3	STRIP	1-66505-3
STANDARD	8	3	STRIP	1-66505-2
STANDARD	9	2	LOOSE PIECE	1-66505-0
STANDARD	8	2	LOOSE PIECE	66505-9
STANDARD	7	2	LOOSE PIECE	66505-8
STANDARD	9	1	STRIP	66505-4
STANDARD	8	1	STRIP	66505-3
STANDARD	7	1	STRIP	66505-2

UNLESS OTHERWISE SPECIFIED DIMENSIONS ARE IN INCHES TOLERANCES ON :
 2 PL DEC ± -
 3 PL DEC ± .005
 ANGLES ± -

MATERIAL
 PHOSPHOR BRONZE PER QQ-B-750

FINISH
 6 SEE TABLE

DR 1-6-87
 C.RICHARD

CHK 1-7-87
 S.WELDON

APPD 1-7-87
 L.BREKOSKY

APPD 1-12-87
 V.KUMAR

PRODUCT SPEC

APPLICATION SPEC
 114-10000

WEIGHT
 -

AMP AMP INCORPORATED
 Harrisburg, Pa. 17105

NAME
 SOCKET CONTACT, SIZE 20 DF,
 24-28 AWG, W/ .030-.040 DIA
 INSULATION SUPPORT,
 AMPLIMITE™

SIZE	FSCM NO	DRAWING NO
C	00779	66505
SCALE	10:1	SHEET 1 OF 1