



AMPLIMITE Subminiature D Type Connectors (Continued)

HDP-20 Connector Contacts, Precision Formed

Contact Size 20 DF
Pin Diameter 1.02 (.040)

Material and Finish:

Pin — Brass

Socket — Phosphor bronze

Plated

A — Select — Gold flash over nickel on entire contact, with additional 0.00076 [0.00030] gold on mating end

B — Duplex — 0.00076 [0.00030] gold on mating end, tin-lead on termination end, with entire contact nickel underplated

C — Gold flash over nickel on entire contact

D — Duplex — Gold flash on mating end, tin-lead on termination end, with entire contact nickel underplate

Related Product Data:

Connectors used with:

HDP — Page 512

Application Tooling

AMPOMATOR C.S IV+ Lead-Making Machine

Technical Documents:

Product Specification — 108-40005

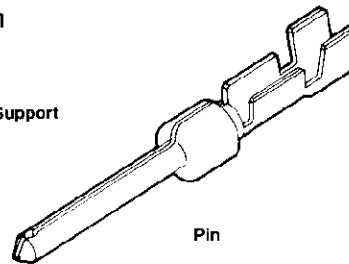
Application Specifications —

114-10000

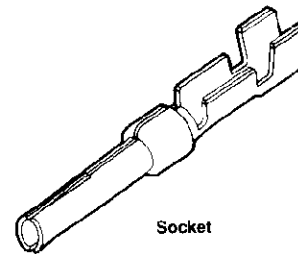
114-40030

Crimp Snap-In Contacts

With Insulation Support



Pin



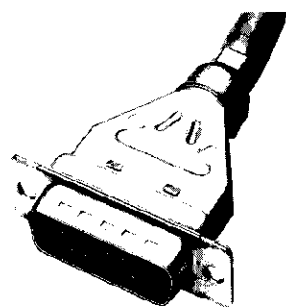
Socket

Wire Size Range AWG [mm ²]	Ins. Dia. Max.	Contact Finish (Plating Code)	Contact Part Numbers				Hand Tools for Loose Form Contacts		
			Pin		Socket		PRO-CRIMPER II Hand Tool	CERTI-CRIMP Hand Tool (Color Code)	Applicators* for Strip Form Contacts
			Strip Form	Loose Form	Strip Form	Loose Form			
28-24 0.08-0.2	1.02 .040	A	66507-3	66507-9	66505-3	66505-9	58448-2	30302-1 (Blue Dot)	466423-4** 466901-1***
		B	3-66507-0	5-66507-7	6-66505-0	6-66505-2			
		C	66507-4	1-66507-0	66505-4	1-66505-0			
		D	3-66507-1	5-66507-9	5-66505-7	5-66505-9			
26-22 0.15-0.4	1.52 .060	A	66682-2	66682-4	66683-2	66683-4	---	90374-1 (Black Dot)	466963-1***
		B	66682-9	1-66682-1	1-66683-0	1-66683-2			
		C	66682-6	---	66683-7	66683-9			
		D	745254-2	745254-6	745253-2	745253-6			
24-20 0.2-0.6	1.27 050	A	1-745254-4	1-745254-6	1-745253-4	1-745253-6	---	90406-1 (Yellow Dot)	466968-1***
		B	745254-3	745254-7	745253-3	745253-7			
		C	1-745254-1	1-745254-3	1-745253-1	1-745253-3			
		D	66506-3	66506-9	66504-3	66504-9			
24-20 0.2-0.6	1.52 060	A	2-66506-4	5-66506-7	5-66504-9	6-66504-0	53448-2	90302-1 (Red Dot)	466422-4*** 466900-1***
		B	66506-4	1-66506-0	66504-4	1-66504-0			
		C	2-66506-5	5-66506-9	5-66504-6	5-66504-7			
		D	---	---	---	---			

*For Part Nos. of Special Applicators and Applicators for other model machines, call the AMP Tooling Assistance Center at 1-800-722-1111.

**For use with AMP-O-LECTRIC Model "G" Terminating Machine.

***For use with AMP-O-MATIC Model II Stripper-Crimper Machine.



Each kit contains:

- Connector
- Inner shield
- Outer shield

Contacts and ferrules must be purchased separately.

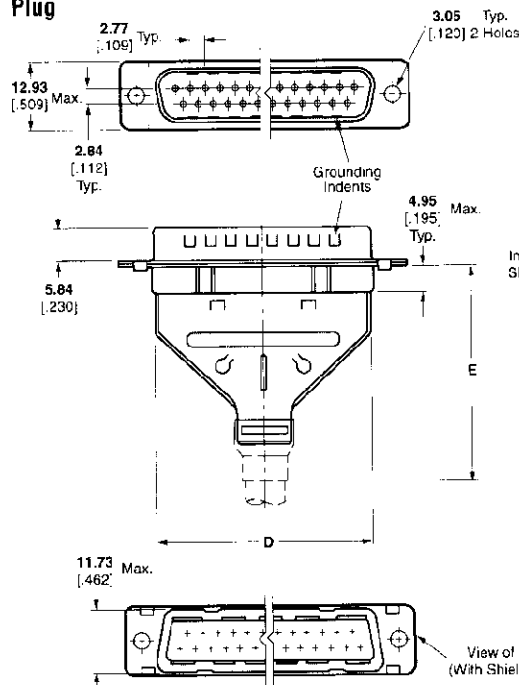
Material and Finish:

Connector Shells — Steel, tin plated

Connector Insert — 94V-0 rated thermoplastic, black

Shield — Steel, tin plated

Plug



Technical Documents:

Product Specifications —

108-40005

108-40030

Application Specifications —

114-10000

114-40030

Instruction Sheet — 408-9010