



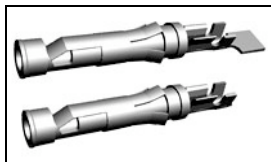
Have a Question?
Chat with a Product Information Specialist

What can we help you find?

[Products](#) [Industries](#) [Resources](#) [About TE](#) [My Account](#) [Innovation](#) [Support Center](#)

66565-4 Product Details

[Share](#) [Print](#) [Email](#)



66565-4

TE Internal Number: 66565-4

Active

[View 3D PDF](#)

Multimate

Always EU RoHS/ELV Compliant (Statement of Compliance)

Product Highlights:

- Contact Type = Socket
- Contact Classification = Signal
- Type III+ Series
- Gold (30) Contact Plating, Mating Area, Material
- Wire Range = 0.20-0.60² [24-20] mm [AWG]

[View all Features](#)

Quick Links

- ▶ [Pricing & Availability](#)
- ▶ [Search for Tooling](#)
- ▶ [Product Feature Selector](#)
- ▶ [Contact Us About This Product](#)

[Add to My Part List](#) [Request Sample](#) [Find Similar Products](#) [Buy Product](#)

Documentation & Additional Information	
<p>Product Drawings:</p> <ul style="list-style-type: none"> • SOCKET ASSEMBLY, LOOSE PIECE, TYPE (PDF, English) <p>Catalog Pages/Data Sheets:</p> <ul style="list-style-type: none"> • Signal Contacts (PDF, English) • M_SERIES_PIN_AND_SOCKET_CONNECTORS (PDF, English) • AMP Circular Connectors for Commercial Signal & Powe... (PDF, English) • AMP Circular Connectors for Commercial Signal & Powe... (PDF, English) <p>Product Specifications:</p> <ul style="list-style-type: none"> • None Available <p>Application Specifications:</p> <ul style="list-style-type: none"> • Type III+ (Size 16) Contacts (PDF, English) <p>Instruction Sheets:</p> <ul style="list-style-type: none"> • Selection of Multimate Pin and Socket Contacts (PDF, English) <p>CAD Files: (CAD Format & Compression Information)</p> <ul style="list-style-type: none"> • 2D Drawing (DXF, Version H) • 3D Model (IGES, Version H) • 3D Model (STEP, Version H) <p style="text-align: right;">List all Documents</p>	<p>Additional Information:</p> <ul style="list-style-type: none"> • Product Line Information <p>Related Products:</p> <ul style="list-style-type: none"> • Tooling

Product Features (Please use the Product Drawing for all design activity)	
<p>Product Type Features:</p> <ul style="list-style-type: none"> • Series = Type III+ • Insulation Support = Yes • Termination Method to Wire/Cable = Crimp • Wire/Cable Type = Discrete Wire • Grade = Commercial <p>Electrical Characteristics:</p> <ul style="list-style-type: none"> • High Current = No <p>Termination Features:</p> <ul style="list-style-type: none"> • Termination End Plating = Matte Tin Over Nickel <p>Dimensions:</p> <ul style="list-style-type: none"> • Pin Diameter (mm [in]) = 1.57 [0.062] <p>Body Features:</p> <ul style="list-style-type: none"> • Wire Range (mm [AWG]) = 0.20-0.60² [24-20] • Spring Material = Stainless Steel • Used With = M Series Connectors, CPC Connectors <p>Contact Features:</p> <ul style="list-style-type: none"> • Contact Type = Socket • Contact Classification = Signal • Contact Plating, Mating Area, Material = Gold (30) 	<p>Industry Standards:</p> <ul style="list-style-type: none"> • RoHS/ELV Compliance = RoHS compliant, ELV compliant • Lead Free Solder Processes = Not relevant for lead free process • RoHS/ELV Compliance History = Always was RoHS compliant <p>Conditions for Usage:</p> <ul style="list-style-type: none"> • Accepts Wire Insulation Diameter, Range (mm [in]) = 1.52 - 3.05 [0.060 - 0.120] • Applies To = Wire/Cable • Test Current (A) = 13.0 <p>Packaging Features:</p> <ul style="list-style-type: none"> • Packaging Method = Loose Piece/Bulk • Packaging Quantity = 1,000 Box/Carton <p>Other:</p> <ul style="list-style-type: none"> • Brand = AMP • Comment = Contacts can only be used in Metrimate, Series 1 (Arr. 23-24), Series 4 (Arr. 23-13M, 23-16M, 23-22M), and VDE connectors.; Insertion Tool No. 91002-1 (for Insulation Dia. 1.78 [.070] or less), No. 200893-2 (for Insulation Dia. .090 [2.29] max.) Extraction Tool No. 305183.

- [Contact Base Material](#) = Brass
- [Contact Size](#) = 16

Corporate Information

- [About TE](#)
- [Investors](#)
- [News Room](#)
- [Supplier Portal](#)
- [Careers](#)
- [Terms & Conditions](#)
- [Privacy Policy](#)

Quick Links

- [Distributor Inventory](#)
- [Product Cross Reference](#)
- [Documents & Drawings](#)
- [Product Compliance Support Center](#)
- [Site Map](#)

Customer Support

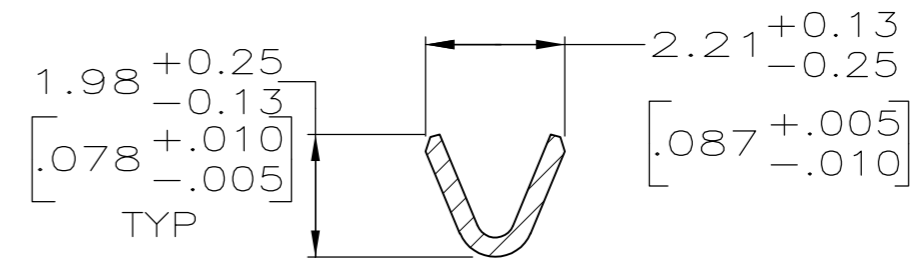
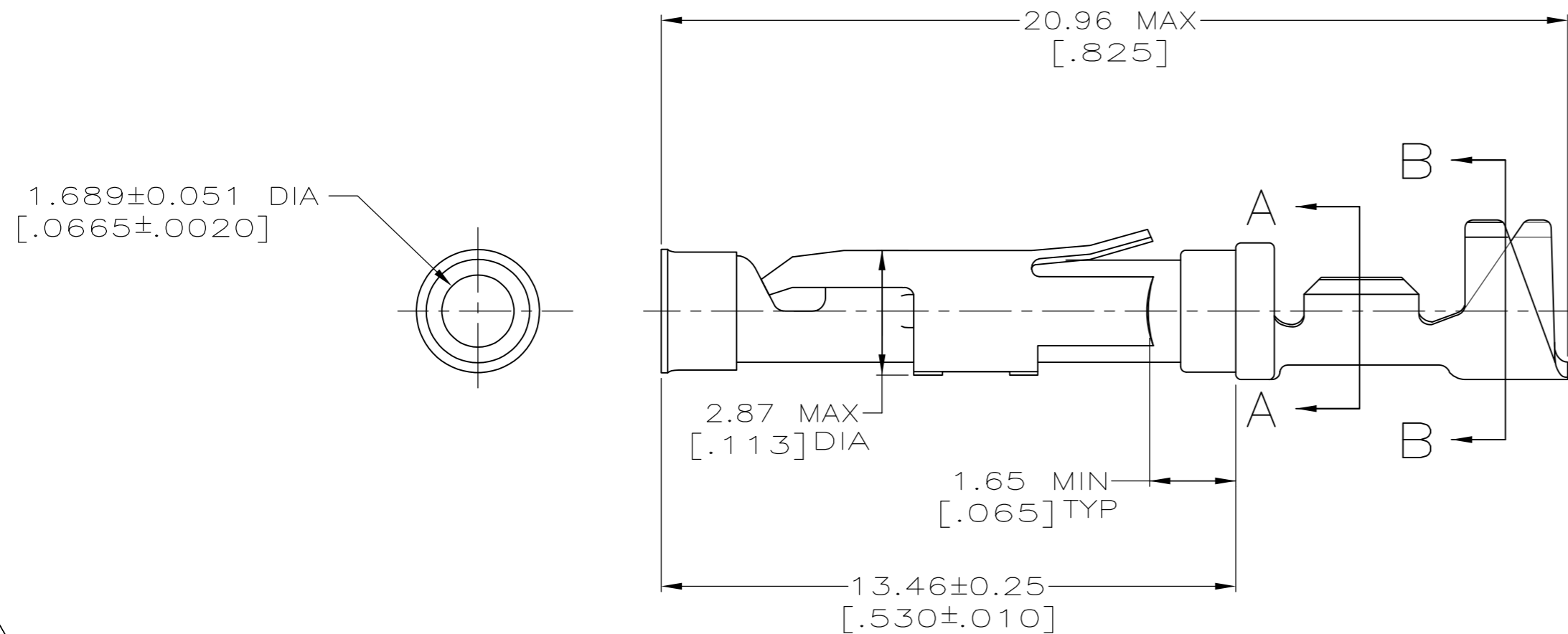
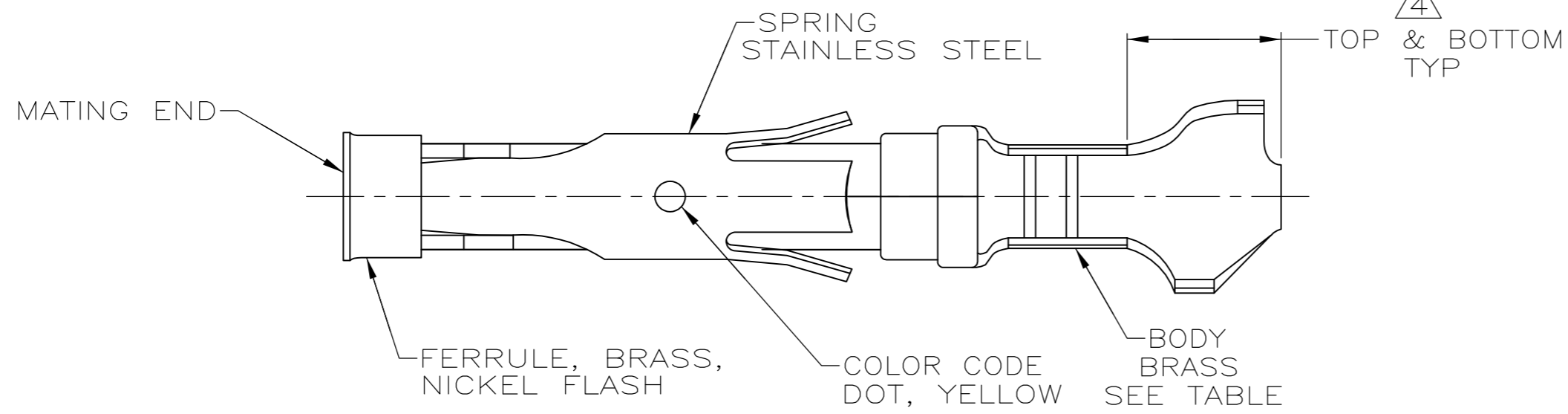
- [Email or Chat With Us](#)
- [Find a Phone Number](#)
- [Knowledge Base](#)
- [Manage Your Account](#)

Keep Me Informed

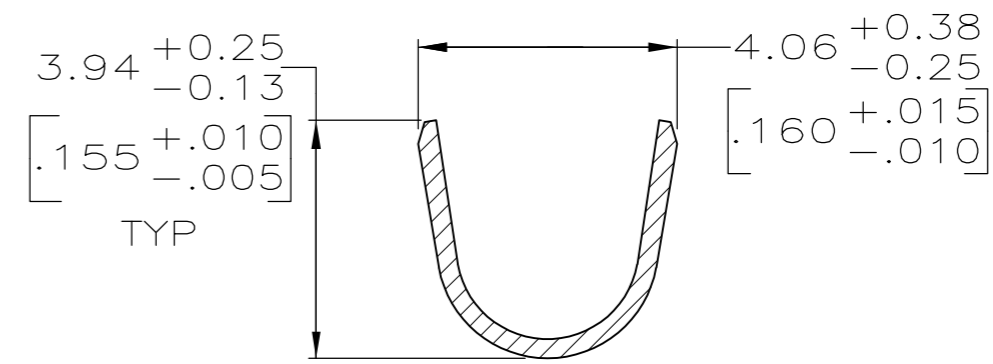


THIS DRAWING IS UNPUBLISHED. RELEASED FOR PUBLICATION
 © COPYRIGHT - By - ALL RIGHTS RESERVED.

LOC	DIST	REVISIONS			
P	LTR	DESCRIPTION	DATE	DWN	APVD
FT	47				
N		REVISED PER ECO-12-012320	04JUL12	KH	MZ



SECTION A-A



SECTION B-B

- 1 0.76µm [.000030] MIN GOLD PER MIL-G-45204 ON MATING END FOR A LENGTH OF 5.08 [.200] MIN WITH 1.27µm [.000050] MIN MATTE TIN PLATE IN WIRE CRIMP AREA, BOTH OVER 0.76µm [.000030] MIN NICKEL PER QQ-N-290.
- 2 0.76µm [.000030] MIN GOLD PER MIL-G-45204 ON MATING END FOR A LENGTH OF 5.08 [.200] MIN WITH A UNIFORM GRADIENT TO 0.25µm [.000010] MIN GOLD PER MIL-G-45204 ON THE REMAINDER OVER 0.76µm [.000030] MIN NICKEL PER QQ-N-290.
- 3 0.38µm [.000015] MIN GOLD PER MIL-G-45204 ON MATING END FOR A LENGTH OF 5.08 [.200] MIN WITH 1.27µm [.000050] MIN MATTE TIN PLATE IN WIRE CRIMP AREA, BOTH OVER 0.76µm [.000030] MIN NICKEL PER QQ-N-290.
- 4 GOLD PLATING NEED NOT APPEAR IN THIS AREA.
- 5 1.27µm [.000050] MIN TIN-LEAD PER MIL-T-10727 OVER 0.76µm [.000030] MIN NICKEL PER QQ-N-290.
- 6. WIRE RANGE 24-20 AWG. INSULATION RANGE 1.52 [.060]-3.05 [.120].
- 7 0.38µm [.000015] MIN GOLD PER MIL-G-45204 ON MATING END FOR A LENGTH OF 5.08 [.200] MIN, 1.27µm [.000050] MIN TIN-LEAD PER MIL-T-10727 FOR A LENGTH OF 5.69 [.224] MIN ON OPPOSITE END, BOTH OVER 1.27µm [.000050] MIN NICKEL PER QQ-N-290 ON ENTIRE CONTACT.
- 8 1.27µm [.000050] MIN TIN PER MIL-T-10727 OVER 0.76µm [.000030] MIN NICKEL PER QQ-N-290.
- 9 OBSOLETE PARTS: OBSOLETE CIS STREAMLINING PER D.RENAUD/D.SINISI

	STANDARD		1-66563-1	66565-7
9 OBSOLETE	SMALL PACK	8	66563-4	66565-6
OBSOLETE	STANDARD	7	1-66563-0	66565-5
	STANDARD	1	66563-4	66565-4
OBSOLETE	STANDARD	3	66563-7	66565-3
	STANDARD	5	66563-6	66565-2
	STANDARD	2	66563-1	66565-1
	PACKAGING TYPE	BODY FINISH	STRIP P/N REF	PART NO

THIS DRAWING IS A CONTROLLED DOCUMENT.		DWN R.SHIREY 7-31-91		
DIMENSIONS: mm [INCHES]		CHK R.STONE 9-19-91		
TOLERANCES UNLESS OTHERWISE SPECIFIED:		APVD J.WESTMAN 9-20-91	NAME SOCKET ASSEMBLY, LOOSE PIECE, TYPE III+	
0 PLC ± -		PRODUCT SPEC	SIZE CAGE CODE DRAWING NO RESTRICTED TO	
1 PLC ± -		APPLICATION SPEC	A2 00779 C=66565	
2 PLC ± 0.13 [.005]		WEIGHT -	SCALE 8:1 SHEET 1 OF 1 REV N	
3 PLC ± -		CUSTOMER DRAWING		
4 PLC ± -				
ANGLES ± -				
FINISH SEE CALLOUTS				