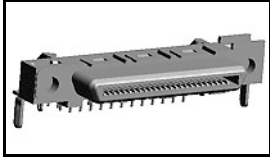


6658751-1 Product Details

[Share](#) [Print](#) [Email](#)



6658751-1

TE Internal Number: 6658751-1

Active

[View 3D PDF](#)

0.8 [.031] PCB Connectors and Cable Connectors

Always EU RoHS/ELV Compliant
(Statement of Compliance)

Product Highlights:

- Connector Style = Receptacle
- 50 Positions
- 50 Signal Positions
- Applies To Printed Circuit Board
- PCB Mount Style = Surface Mount Compatible

[View all Features](#)

Quick Links

- ▶ [Pricing & Availability](#)
- ▶ [Search for Tooling](#)
- ▶ [Product Feature Selector](#)
- ▶ [Contact Us About This Product](#)

[Add to My Part List](#) [Request Sample](#) [Find Similar Products](#)

[Buy Product](#)

Documentation & Additional Information

Product Drawings:

- [RECEPTACLE ASSEMBLY, 50 POSITION, SHIELDED, RIGHT AN...](#) (PDF, English)

Catalog Pages/Data Sheets:

- None Available

Product Specifications:

- [Connector, 0.8mm CHAMP](#) (PDF, English)

Application Specifications:

- [CHAMP 0.8 mm Cable and Printed Circuit \(PC\) Board Co...](#) (PDF, English)

Instruction Sheets:

- [Tooling Kit 768900-4](#) (PDF, English)
- [Mass Termination Tooling Assembly 543580-1 & Cutter ...](#) (PDF, English)
- [Manual Arbor Frame Assembly 91085-2](#) (PDF, English)

CAD Files: (CAD Format & Compression Information)

- [2D Drawing](#) (DXF, Version A)
- [3D Model](#) (IGES, Version A)
- [3D Model](#) (STEP, Version A)

[List all Documents](#)

Additional Information:

- [Product Line Information](#)

Related Products:

- [Tooling](#)

Product Features (Please use the Product Drawing for all design activity)

Product Type Features:

- [PCB Mount Style](#) = Surface Mount Compatible
- [Mount Angle](#) = Right Angle
- [Profile](#) = High
- [PCB Mount Alignment](#) = Without
- [PCB Mount Retention](#) = Without

Termination Features:

- [Termination Post Length](#) (mm [in]) = 2.27 [0.089]

Body Features:

- [Center Ground Plate](#) = Without

Configuration Features:

- [Number of Positions](#) = 50
- [Number of Signal Positions](#) = 50
- [Stacked](#) = No
- [Number of Rows](#) = 2
- [Contact Centerline Spacing](#) (mm [in]) = 0.80 [0.031]
- [Shielded](#) = Yes

Industry Standards:

- [RoHS/ELV Compliance](#) = RoHS compliant, ELV compliant

- Insert Material = Thermoplastic
- Shell Material = Carbon Steel
- Shell Plating = Nickel over Copper

Contact Features:

- Contact Plating, Mating Area, Material = Gold (30)
- Contact Base Material = Phosphor Bronze
- Solder Tail Contact Plating = Tin

Housing Features:

- Connector Style = Receptacle
- Housing Material = Thermoplastic - GF
- Housing Color = Black

- Lead Free Solder Processes = Reflow solder capable to 245°C, Reflow solder capable to 260°C
- RoHS/ELV Compliance History = Always was RoHS compliant
- UL Flammability Rating = UL 94V-0
- Insert Flammability Rating = UL 94V-0

Conditions for Usage:

- Applies To = Printed Circuit Board

Other:

- Brand = AMP

Corporate Information

- [About TE](#)
- [Investors](#)
- [News Room](#)
- [Supplier Portal](#)
- [Careers](#)
- [Terms & Conditions](#)
- [Privacy Policy](#)
- [AODA Accessibility Policy](#)
- [AODA Multi-Year Accessibility Plan](#)

Quick Links

- [Distributor Inventory](#)
- [Product Cross Reference](#)
- [Documents & Drawings](#)
- [Product Compliance Support Center](#)
- [Site Map](#)

Customer Support

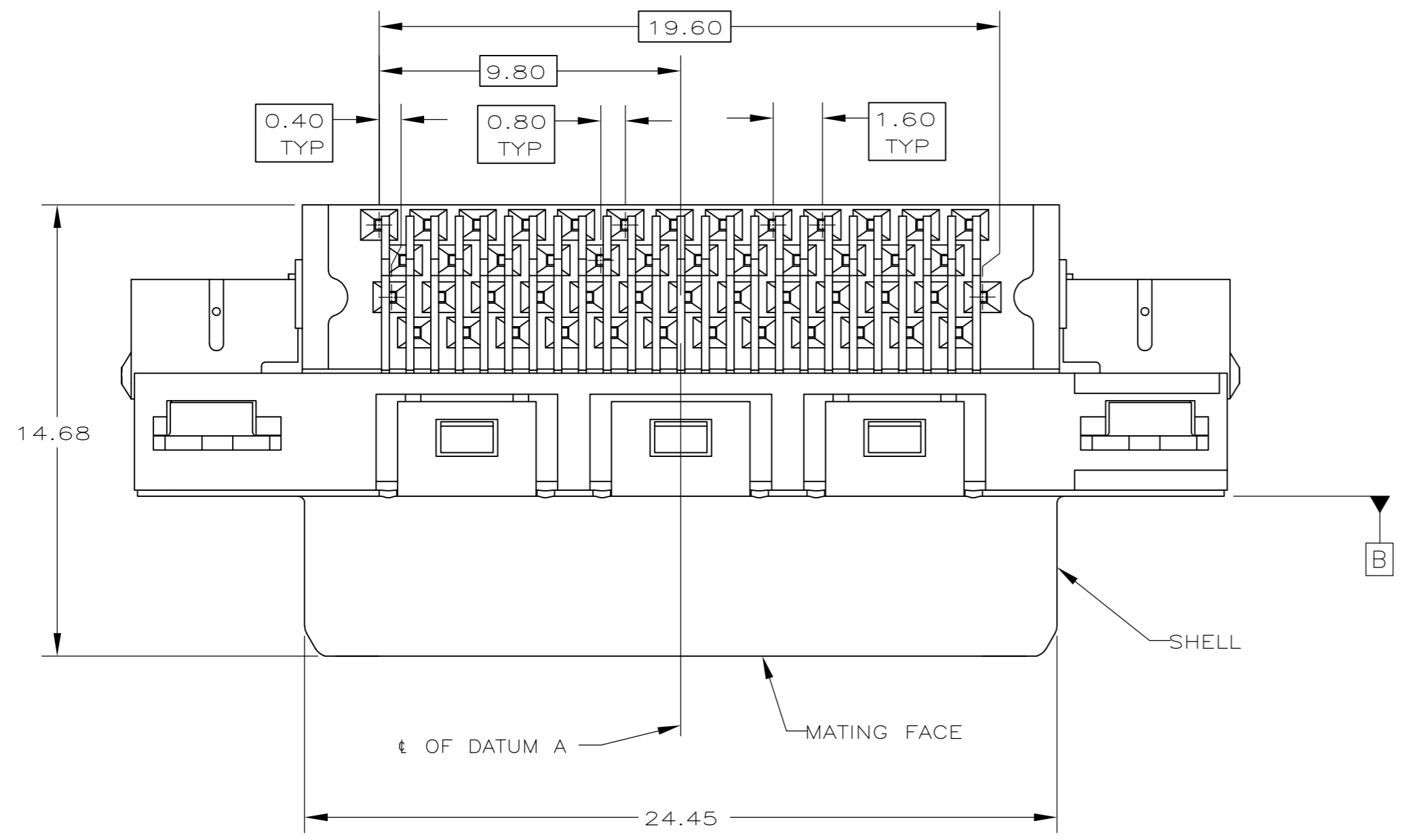
- [Email or Chat With Us](#)
- [Find a Phone Number](#)
- [Knowledge Base](#)
- [Manage Your Account](#)

Keep Me Informed

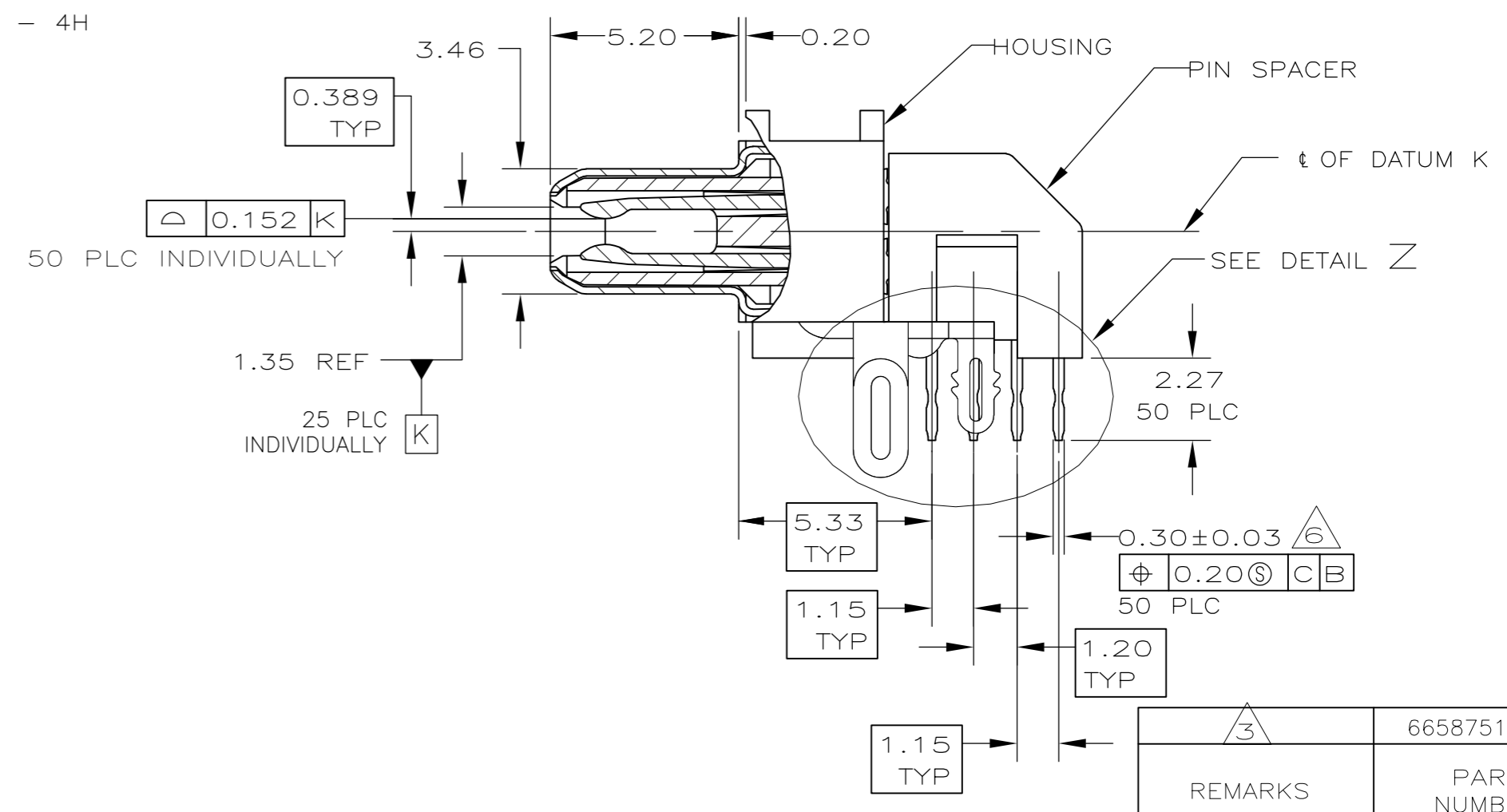
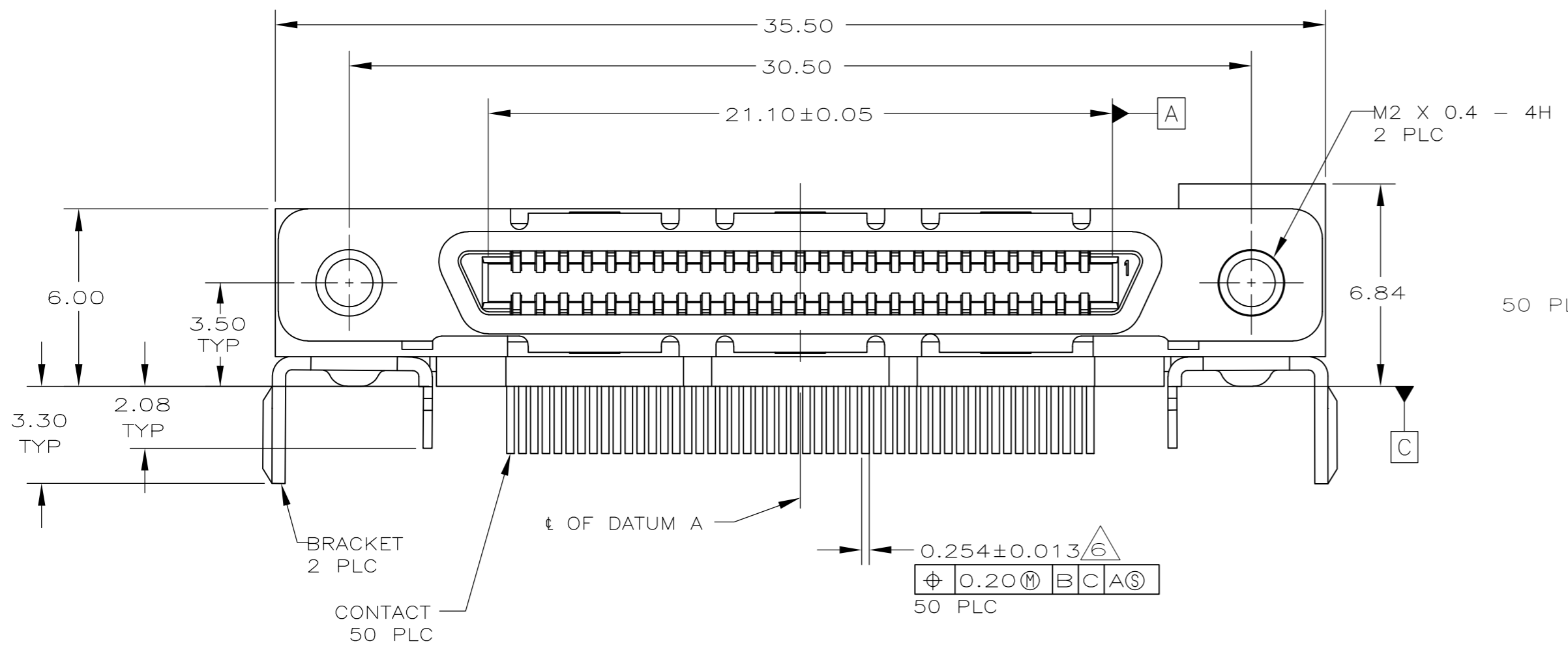


THIS DRAWING IS UNPUBLISHED. RELEASED FOR PUBLICATION
 © COPYRIGHT - By - ALL RIGHTS RESERVED.

LOC		DIST		REVISIONS			
P	LTR	DESCRIPTION		DATE	DWN	APVD	
GP	00	B		REVISED PER ECO-12-014361	08JAN2013	CJV	EDB



- 1 HOUSING & PIN SPACER: THERMOPLASTIC, BLACK, UL 94V-0 RATED. SHELL: CARBON STEEL. CONTACTS: PHOSPHOR BRONZE. BRACKETS: STEEL.
- 2 SHELL: 5.08 μm MIN NICKEL OVER 2.54 μm MIN COPPER. CONTACTS: 0.76 μm MIN GOLD ON MATING END, 3.75 μm MIN TIN ON SOLDER TAILS, BOTH OVER 1.27 μm MIN NICKEL ON ENTIRE CONTACT. BRACKETS: TIN PLATED.
- 3 CONTACTS DESIGNED FOR USE ON 1.60±0.15 THICK PC BOARD WITH PLATED THRU MOUNTING HOLES.
- 4 RECEPTACLE ASSEMBLY DESIGNED FOR USE WITH 1.12±0.08 THICK PANEL.
- 5 DATUMS AND DIMENSIONS ESTABLISHED BY CUSTOMER.
- 6 POSITION TOLERANCE APPLIES AT CONTACT TIP ONLY.

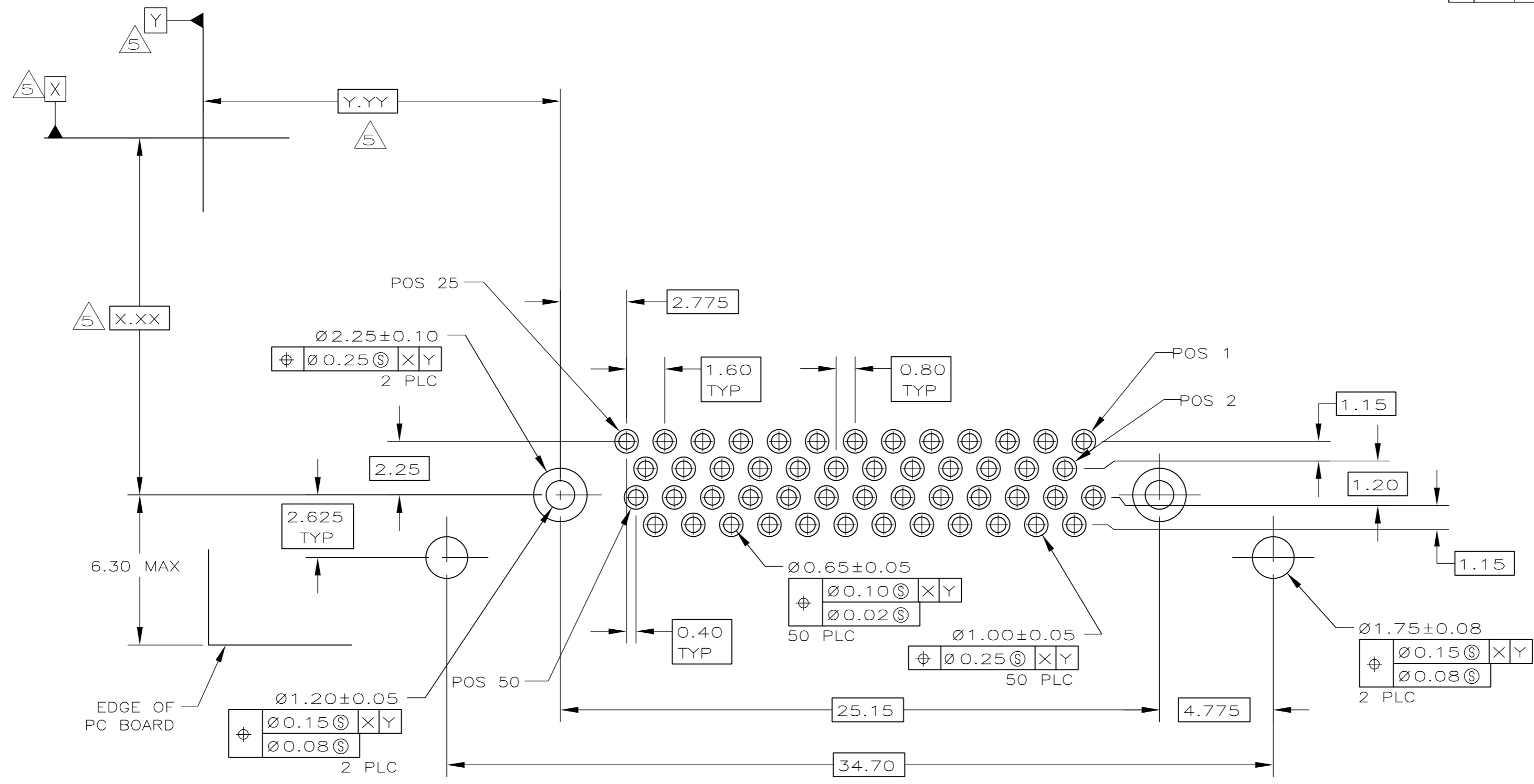


REMARKS	6658751-1
PART NUMBER	

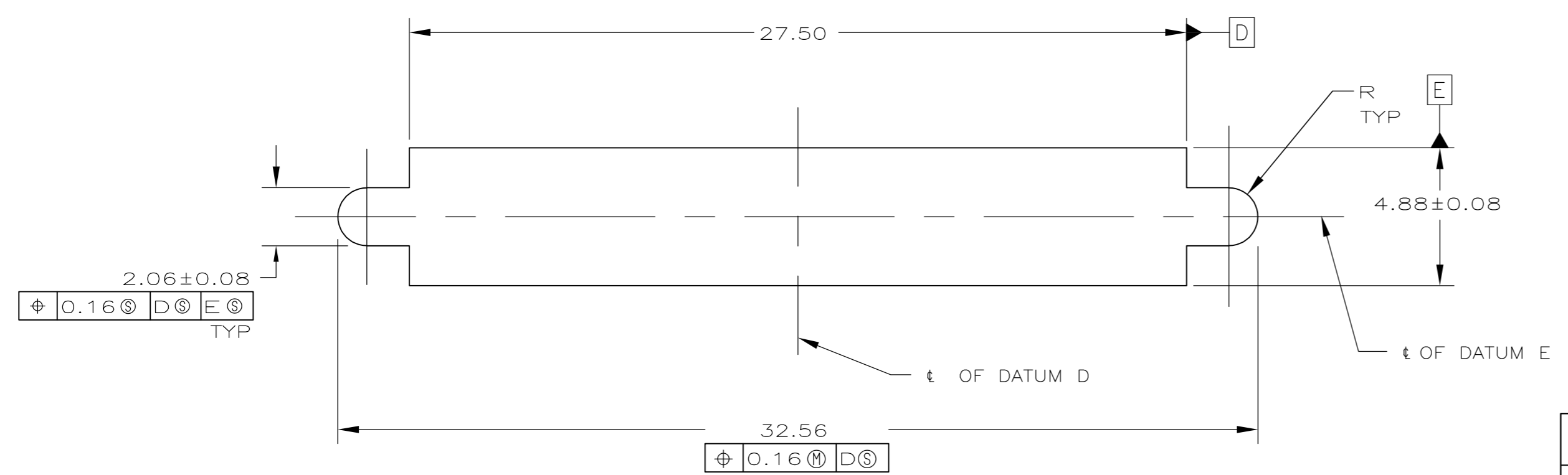
THIS DRAWING IS A CONTROLLED DOCUMENT. DIMENSIONING AND TOLERANCING PER ASME Y14.5M-2009		DWN L. VARELA - DOCK5 08-01-05	TE Connectivity	
DIMENSIONS: mm		CHK S. SHUEY 08-01-05	RECEPTACLE ASSEMBLY, 50 POSITION, SHIELDED, RIGHT ANGLE, CHAMP 0.8mm	
TOLERANCES UNLESS OTHERWISE SPECIFIED:		APVD M. WALMSLEY 08-01-05	NAME	
0 PLC ± -	1 PLC ± -	PRODUCT SPEC	SIZE CAGE CODE DRAWING NO RESTRICTED TO	
2 PLC ± 0.13	3 PLC ± -	APPLICATION SPEC	A2 00779 C=6658751	
4 PLC ± -	ANGLES ± 1°	WEIGHT -	SCALE 6:1	SHEET 1 of 2
MATERIAL 1	FINISH 2	CUSTOMER DRAWING	REV B	

THIS DRAWING IS UNPUBLISHED. RELEASED FOR PUBLICATION
 © COPYRIGHT - By - ALL RIGHTS RESERVED.

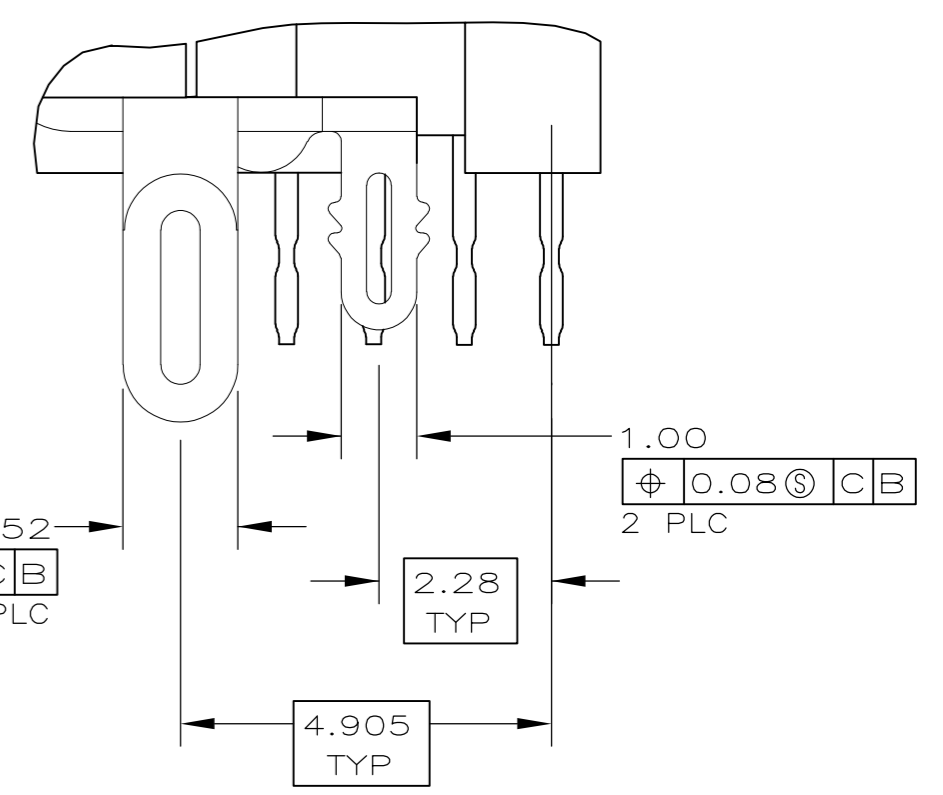
LOC		DIST		REVISIONS			
GP	00	P	LTR	DESCRIPTION	DATE	DWN	APVD
		-		SEE SHEET 1	-	-	-



PC BOARD MOUNTING DIMENSIONS $\Delta 3$



PANEL CUT-OUT DIMENSIONS $\Delta 4$



DETAIL SCALE 10:1

THIS DRAWING IS A CONTROLLED DOCUMENT. DIMENSIONING AND TOLERANCING PER ASME Y14.5M-2009		DWN L. VARELA - DOCK5 08-01-05	TE Connectivity	
DIMENSIONS: mm		CHK S. SHUEY 08-01-05	NAME	
TOLERANCES UNLESS OTHERWISE SPECIFIED:		APVD M. WALMSELY 08-01-05	RECEPTACLE ASSEMBLY, 50 POSITION, SHIELDED, RIGHT ANGLE, CHAMP 0.8mm	
0 PLC ± -	1 PLC ± -	PRODUCT SPEC	SIZE	CAGE CODE
2 PLC ± 0.13	3 PLC ± -	APPLICATION SPEC	A2	00779
4 PLC ± -	ANGLES ± 1°	WEIGHT	SCALE	SHEET
MATERIAL	FINISH	CUSTOMER DRAWING	6:1	2 of 2
				REV B