

Distributed by:

JAMECO[®]
ELECTRONICS

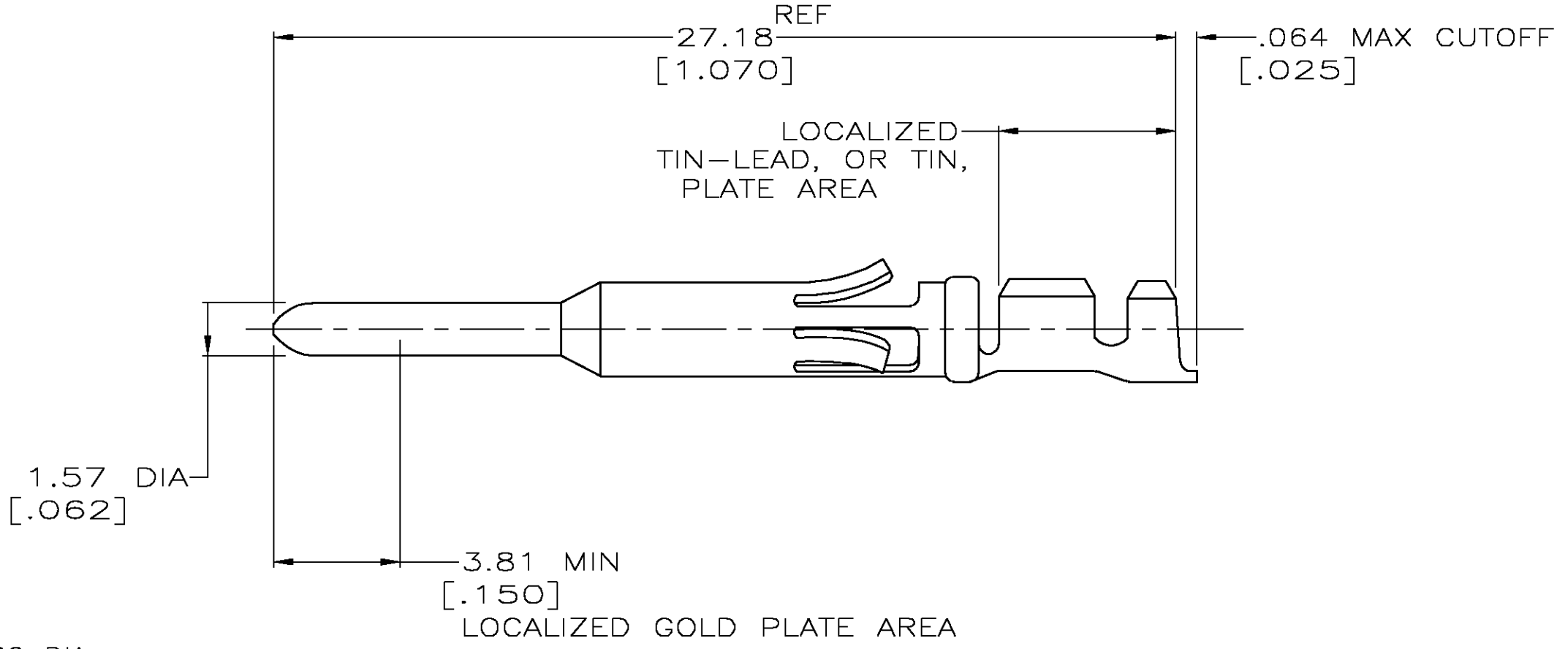
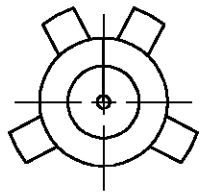
www.Jameco.com ♦ 1-800-831-4242

The content and copyrights of the attached
material are the property of its owner.

Jameco Part Number 969111

THIS DRAWING IS UNPUBLISHED. RELEASED FOR PUBLICATION
 © COPYRIGHT BY TYCO ELECTRONICS CORPORATION. ALL RIGHTS RESERVED.

LOC	DIST	REVISIONS			
P	LTR	DESCRIPTION	DATE	DWN	APVD
		F	0G3B-0317-03	24APR03	TK GS



- 1. WIRE RANGE 18-16 AWG.
- 2. INSULATION RANGE .100-.080 DIA.
- 3. FOR STRIP PART SEE DWG 66579.
- ④ 0.76 μm [.000030] MIN GOLD IN LOCALIZED GOLD PLATE AREA, 1.27 μm [.000050] MIN TIN-LEAD IN LOCALIZED TIN-LEAD PLATE AREA, BOTH OVER 1.27 μm [.000050] MIN NICKEL.
- ⑤ TIN PLATED.
- ⑥ GOLD PLATING PER MIL-G-45204, TIN PER MIL-T-10727 AND NICKEL PER QQ-N-290.
- ⑦ 0.76 μm [.000030] MIN GOLD IN LOCALIZED GOLD PLATE AREA, 1.27 μm [.000050] MIN TIN IN LOCALIZED TIN PLATE AREA, BOTH OVER 1.27 μm [.000050] MIN NICKEL.

⑦	66589-4
④	66589-2
⑤	66589-1
FINISH	FINISH

THIS DRAWING IS A CONTROLLED DOCUMENT.		DWN C.OBERMAN 08/25/92	Tyco Electronics Corporation Harrisburg, Pa	
DIMENSIONS: INCHES		CHK W.G.LENKER 9-3-92	NAME CONTACT, PIN, LOOSE PIECE, TYPE VI, MULTIMATE	
TOLERANCES UNLESS OTHERWISE SPECIFIED:		APVD A. TRAVIS A.TRAVIS 9-3-92	SIZE A3	
0 PLC ± - 1 PLC ± - 2 PLC ± 0.13 [.005] 3 PLC ± - 4 PLC ± - ANGLES ± -		PRODUCT SPEC -	CAGE CODE 00779	DRAWING NO C-66589
MATERIAL BRS PER MIL-C-50		APPLICATION SPEC -	RESTRICTED TO -	
FINISH ⑥ SEE TABLE		WEIGHT -	SCALE 6:1	
CUSTOMER DRAWING			SHEET 1 OF 1	REV F