

Distributed by:

JAMECO[®]
ELECTRONICS

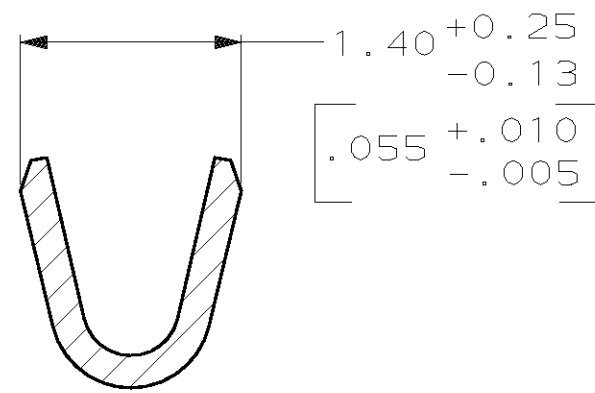
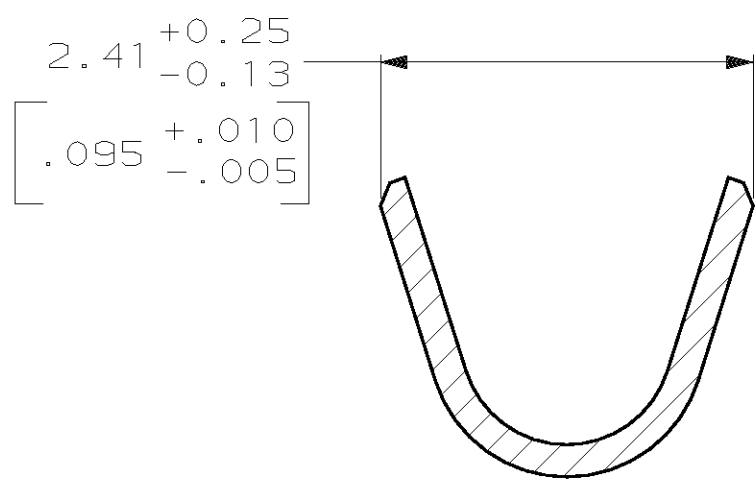
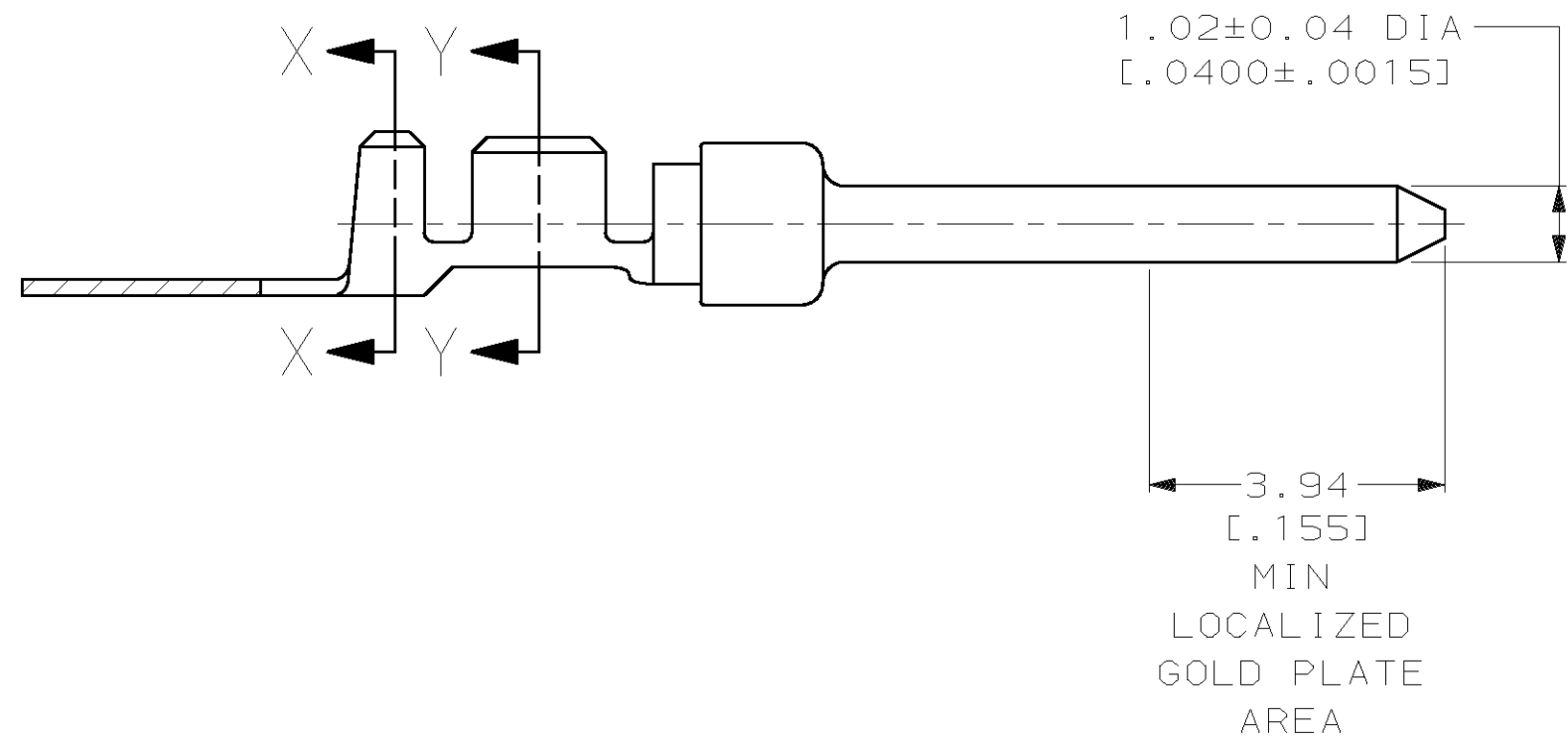
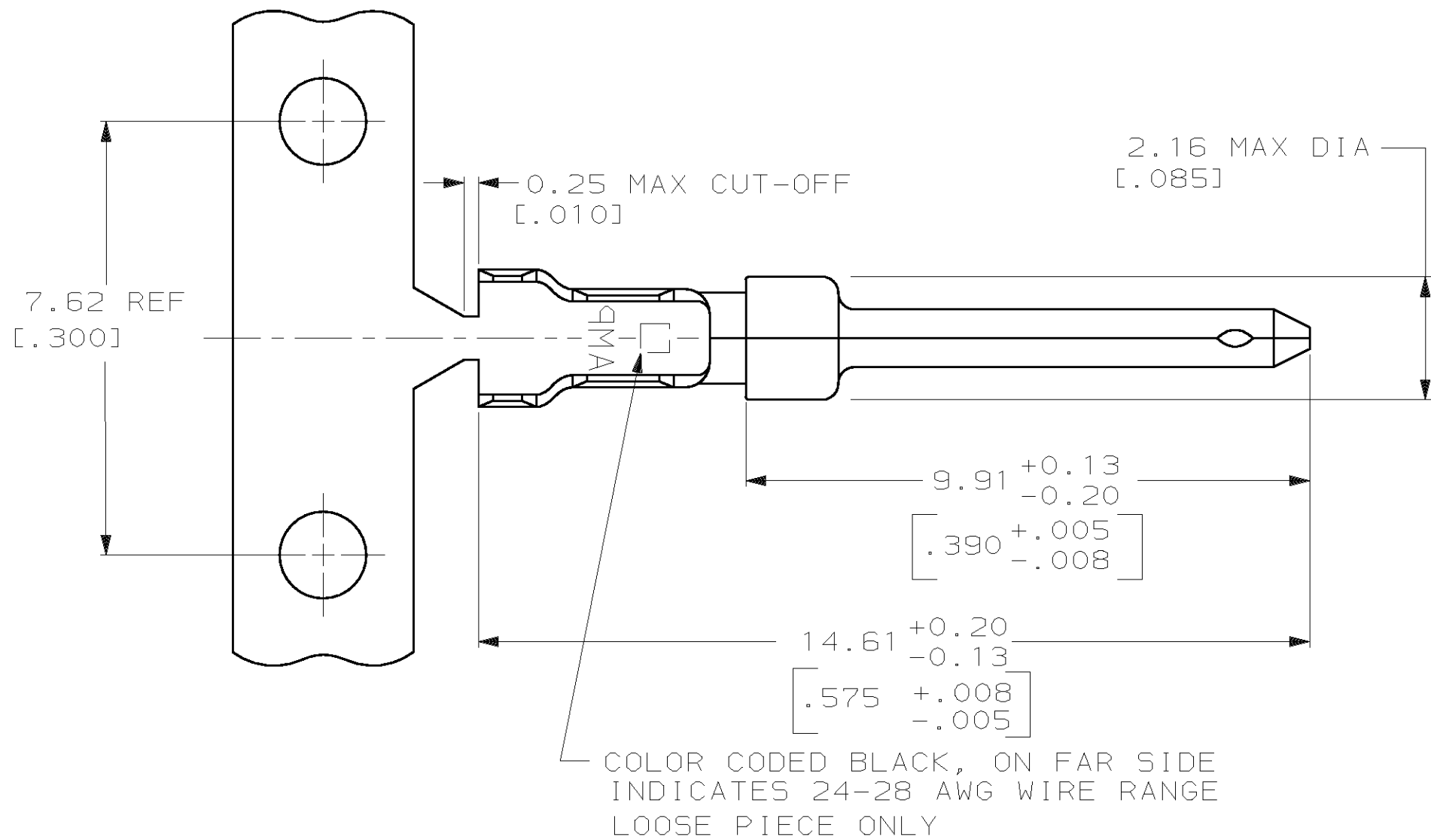
www.Jameco.com ♦ 1-800-831-4242

The content and copyrights of the attached
material are the property of its owner.

Jameco Part Number 223124

THIS DRAWING IS UNPUBLISHED. RELEASED FOR PUBLICATION
 (C) COPYRIGHT 19 BY AMP INCORPORATED. ALL RIGHTS RESERVED.

LOC	DIST	REVISIONS					
GP	00	P	LTR	DESCRIPTION	DATE	DWN	APVD
		D		OBS -8 & REDRAWN ON CAD PER EC 0420-143-96	3 NOV 97	TS	SB
		E		REV PER EC 0420-163-97	09 FEB 98	BC	PR
		F		REV PER EC 0640-27-98	22 JUN 98	PB	JK
		G		REV PER EC 0640-441-98	18 MAR 99	DB	RT
		H		REV PER EC 0UE0-0002-01	09 JAN 02	JR	JG



- 1. FOR MINI-APPLICATOR.
- 2. FOR HAND TOOL USE ONLY.
- 3. WIRE RANGE OF 24-28 AWG, INSULATION RANGE OF 1.27-1.52 [.050-.060].
- 4. GOLD PLATING MAY NOT APPEAR ON CARRIER STRIP.
- 5. GOLD PLATING PER MIL-G-45204, NICKEL PLATING PER QQ-N-290, TIN PLATING PER MIL-T-10727.
- 6. GOLD PLATED IN LOCALIZED GOLD PLATED AREA, 0.76µm [.000030] GOLD IN MATED AREA, GOLD FLASH ON REMAINDER, OVER 1.27µm [.000050] NICKEL.
- 7. GOLD PLATED IN LOCALIZED GOLD PLATED AREA, GOLD FLASH IN MATED AREA, TIN PLATED WIRE BARRELS, OVER 0.76µm [.000030] NICKEL.
- 8. GOLD PLATED IN LOCALIZED GOLD PLATED AREA, 0.76µm [.000030] GOLD IN MATED AREA, TIN PLATED WIRE BARRELS OVER 1.27µm [.000050] NICKEL.
- 9. OBSOLETE.

△	△1-66682-1	66682-9
△	-	66682-6
△	66682-4	66682-2
△	LOOSE PIECE	PART NUMBER

THIS DRAWING IS A CONTROLLED DOCUMENT.		DWN	S. WELDON	9-9-86	AMP Incorporated Harrisburg, PA 17105-3608	
DIMENSIONS: mm (INCHES)		CHK	C. RICHARD	9-9-86		
TOLERANCES UNLESS OTHERWISE SPECIFIED:		APVD	V. KUMAR	9-10-86		
0 PLC ±- 1 PLC ±- 2 PLC ±0.13 [.005] 3 PLC ±- 4 PLC ±- ANGLES -		PRODUCT SPEC	-			
MATERIAL	BRASS PER MIL-C-50	FINISH	SEE TABLE		APPLICATION SPEC	114-10000
CUSTOMER DRAWING		WEIGHT	-		SIZE	A2
SCALE		10:1		SHEET	1 OF 1	
REV		H		RESTRICTED TO		