

6ESRM-3 Product Details



6ESRM-3

TE Internal Number: 1609133-3



Active

EMI/RFI Filters and Accessories

 Always EU RoHS/ELV Compliant (Statement of Compliance)

Product Highlights:

- Filter - EMI/RFI
- Filter Type = Power Entry (Filtered/Unfiltered)
- SR (6 Amp) Series
- AC Receptacle, Male Application
- Mount Style = Flanged

Documentation & Additional Information

Product Drawings:

- [CUSTOMER DRAWING 6ESRM-3](#) (PDF, English)

Catalog Pages/Data Sheets:

- [1654001_CORCOM_PRODUCT_GUIDE_SR_SERIES](#) (PDF, English)
- [8-1773460-7_CORCOM_SR_SERIES_FILTERS](#) (PDF, English)

Product Specifications:

- None Available

Application Specifications:

- None Available

Instruction Sheets:

- None Available

CAD Files: (CAD Format & Compression Information)

- [2D Drawing](#) (DXF, Version A)
- [3D Model](#) (IGES, Version A)
- [3D Model](#) (STEP, Version A)

Additional Information:

- [Product Line Information](#)

Related Products:

- [Tooling](#)

Product Features (Please use the Product Drawing for all design activity)

Product Type Features:

- [Product Type](#) = Filter - EMI/RFI
- [Filter Type](#) = Power Entry (Filtered/Unfiltered)
- [Series](#) = SR (6 Amp)
- [Filtered](#) = No
- [Type of Connector](#) = IEC 320/C-14
- [Gender](#) = Male

Electrical Characteristics:

- [Current Rating \(A\)](#) = 15
- [Voltage ≤ \(VAC\)](#) = 250

Termination Features:

- [Terminal Input - Output Combination](#) = IEC - 1/4" Faston

Body Features:

- [Mount Style](#) = Flanged

Industry Standards:

- [RoHS/ELV Compliance](#) = RoHS compliant, ELV compliant
- [Lead Free Solder Processes](#) = Hand solderable with lead free solder
- [RoHS/ELV Compliance History](#) = Always was RoHS compliant
- [Approved Standards](#) = CSA Certified, VDE Approved, UL Recognized

Conditions for Usage:

- [Facility Installation](#) = No
- [Need Min Size With IEC Connector](#) = Yes
- [Need Optional Switch, Fusing, Or Voltage Selector](#) = Yes

Operation/Application:

- [Application](#) = AC Receptacle, Male

Other:

- [Brand](#) = Corcom

Power Inlet Connectors

SR Series



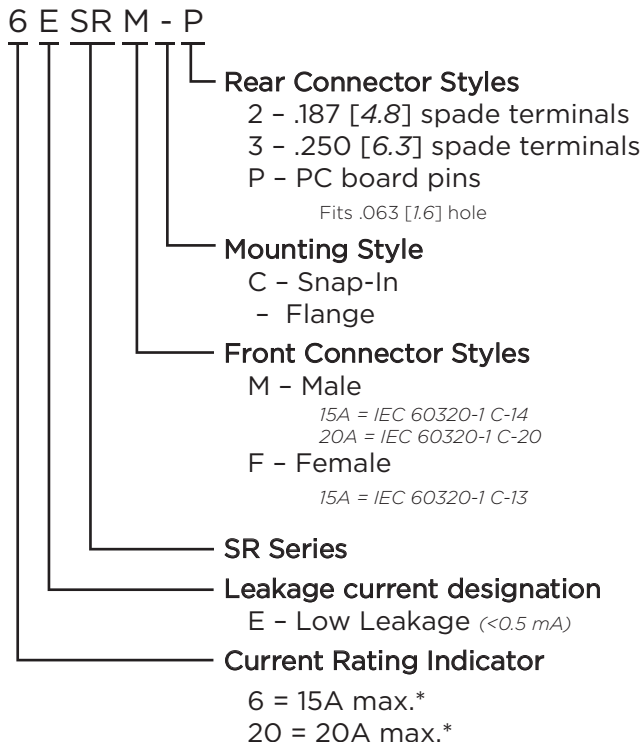
UL Recognized
CSA Certified
VDE Approved*



SR Series

- Full Line of popular AC receptacles
- Male and female power line connectors
- Snap-in and flange mount versions
- IEC60320-1 C-13 & C14 inlets rated up to 15A
- IEC60320-1 C-19 & C-20 inlets rated up to 20A

Ordering Information



*15A versions are VDE approved at 10A, 250VAC max.
20A versions are VDE approved at 16A, 250VAC max.

Specifications

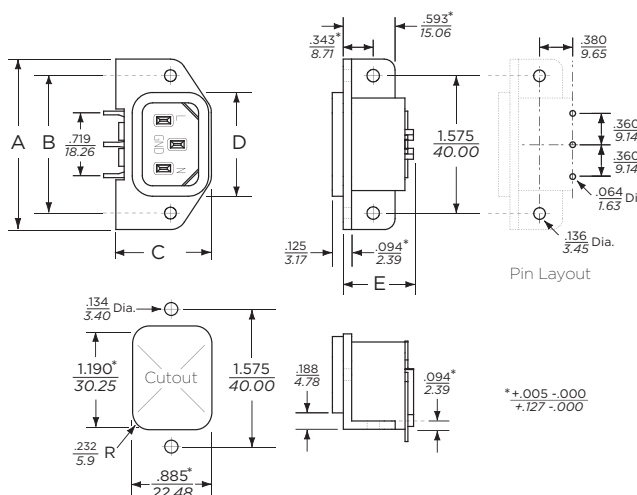
Rated Voltage (max.): 250 VAC
Materials:
Insulator: Thermoplastic UL 94V-0 flame rating
Prongs: Solid brass, nickel plated
Terminals: Brass, tin plated
Temperature Rating: For "cold" connections, 65°C

Available Part Numbers

Type	Male Connector	Female Connector
PC Pins	6ESRM-P	
Snap-In	6ESRMC2	6ESRFC3
Flange Mount	6ESRM-3	6ESRF-3
Snap-In	20ESRMC2	
Flange Mount	20ESRM-3	

Case Styles

6ESRM-P

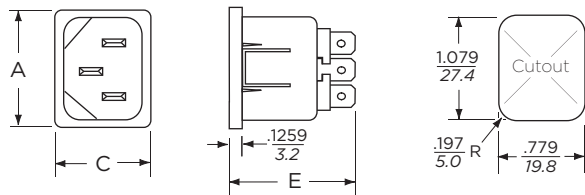


Power Inlet Connectors (continued)

SR Series

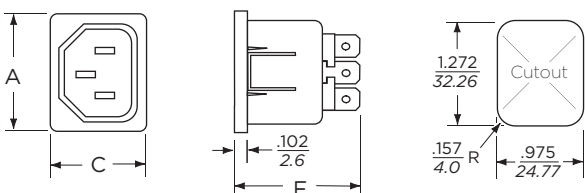
Case Styles (continued)

6ESRMC2



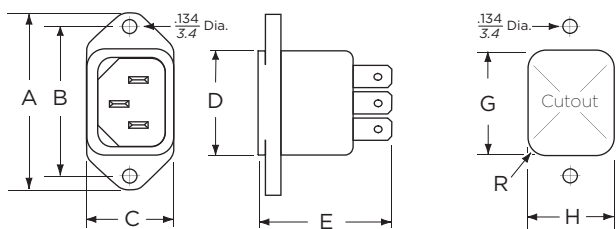
Typical Dimensions:
Front Connector: IEC 60320-1 C14
Rear Terminals: .187 [4.8] with .07 [1.8] Dia. hole

6ESRFC3



Typical Dimensions:
Front Connector: IEC 60320-1 C13
Rear Terminals: .25 [6.3] with .07 [1.8] Dia. hole

6ESRM-3

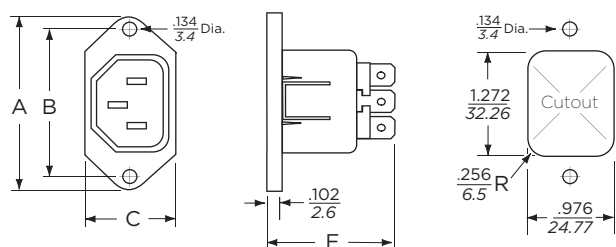


Cutout Dimensions:

	Rear Mount	Front Mount
G:	1.19 [30.23]	1.079 [27.4]
H:	0.894 [22.7]	0.779 [19.8]
R:	0.232 [5.9]	0.197 [5.0]

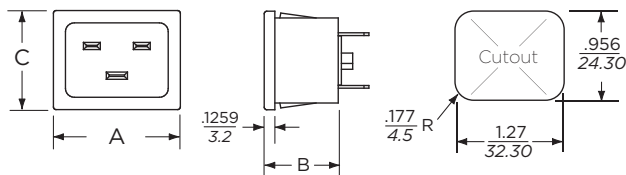
Typical Dimensions:
Front Connector: IEC 60320-1 C14
Rear Terminals: .25 [6.3] with .07 [1.8] Dia. hole

6ESRF-3



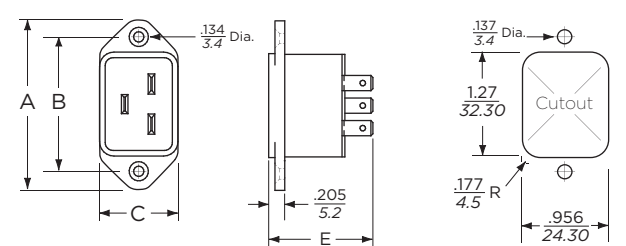
Typical Dimensions:
Front Connector: IEC 60320-1 C13
Rear Terminals: .25 [6.3] with .07 [1.8] Dia. hole

20ESRMC2



Typical Dimensions:
Front Connector: IEC 60320-1 C20
Rear Terminals: .25 [6.3] with .07 [1.8] Dia. hole

20ESRM-3



Typical Dimensions:
Front Connector: IEC 60320-1 C20
Rear Terminals: .25 [6.3] with .07 [1.8] Dia. hole

Case Dimensions

Part No.	A (max.)	B $\begin{matrix} +.017 - .006 \\ +.43 - .15 \end{matrix}$	C (max.)	D (max.)	E (max.)
6ESRM-P	1.96	1.575	1.094	1.118	.807
	49.8	40.0	27.8	28.39	20.5
6ESRMC2	1.182	-	.885	-	1.192
	30.00		22.5		30.3
6ESRFC3	1.39	-	1.09	-	1.496
	35.5		27.8		38.0
6ESRM-3	1.96	1.575	.885	1.19	1.275
	49.8	40.0	22.5	30.23	32.4
6ESRF-3	1.953	1.575	1.133	-	1.496
	49.6	40.0	28.8		38.0
20ESRMC2	1.377	.921	1.06	-	-
	35.0	23.4	27.0		
20ESRM-3	2.087	1.653	.999	-	1.318
	53.0	42.0	25.4		33.5

SAFETY ORGANIZATIONS

THIS MODULE HAS BEEN FORMALLY RECOGNIZED, CERTIFIED OR APPROVED BY THE LISTED AGENCY. THEREFORE, ALL TEST/REQUIREMENTS SPECIFIED IN THE LATEST REVISION OF THE FOLLOWING AGENCY STANDARDS HAVE BEEN MET:

- UL RECOGNIZED: UL 498
- CSA CERTIFIED: CSA C22.2 No. 42
- VDE APPROVED: EN 60320-1

OPERATING SPECIFICATIONS

LINE CURRENT/VOLTAGE: 15 AMP, 250 VAC, UL, CSA
 10 AMP, 250 VAC, VDE

LINE FREQUENCY: 50-60Hz

RELIABILITY SPECIFICATIONS:

STORAGE TEMPERATURE: -40°C TO +85°C
 HUMIDITY: 21 DAYS @ 40°C 95% RH.
 CURRENT OVERLOAD TEST: 6 TIMES I_r FOR 8 SECONDS

TEST SPECIFICATIONS:

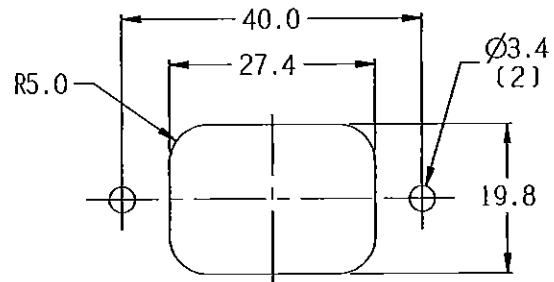
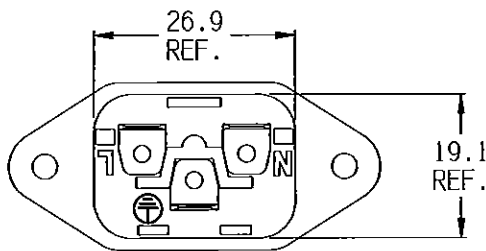
L/G AND L/L I.R. @ 6000M (MIN.) 100VDC,
 20°C AND 50% RH

CUSTOMER DRAWING

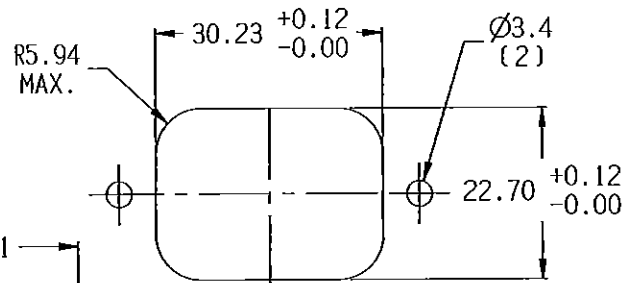
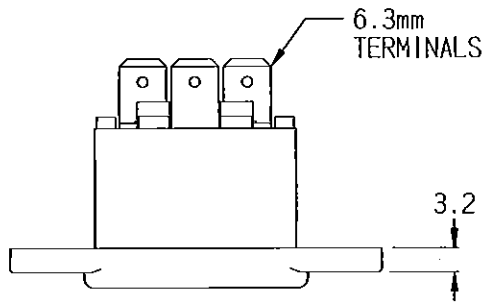
CATALOG # 6ESRM-3		
ECN#	APPRVD	DATE
13-014594	TAM	13SEP13

RECOMMENDED RECEIVING INSPECTION HIPOT:

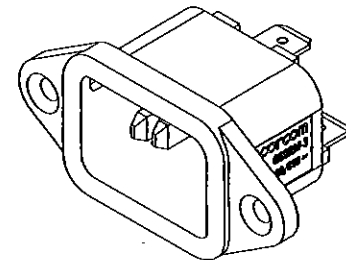
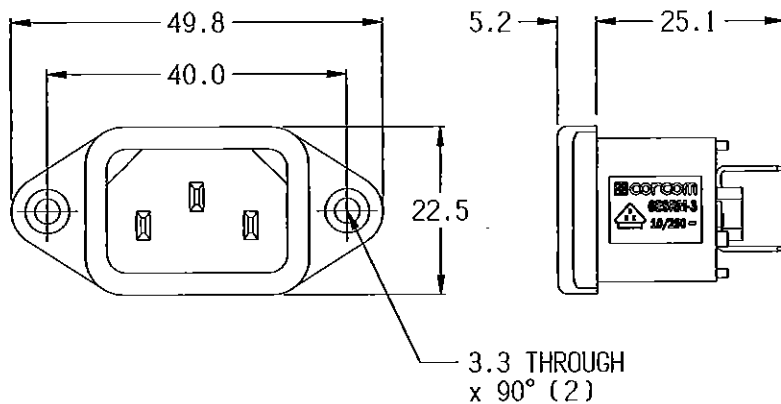
LINE TO GROUND: 1500 VAC FOR 1 MINUTE
 LINE TO LINE: 1450 VDC FOR 1 MINUTE



FRONT MOUNT PANEL CUTOUT



REAR MOUNT PANEL CUTOUT



50 Ω - 50 Ω (MINIMUM) INSERTION LOSS											
FREQUENCY MHz	/	/	/	/	/	/	/	/	/	/	/
COMMON dB	/	/	/	/	/	/	/	/	/	/	/
DIFF. dB	/	/	/	/	/	/	/	/	/	/	/
SHEET SIZE	THIRD ANGLE PROJECTION										
	THIS INFORMATION IS CONFIDENTIAL AND PROPRIETARY TO TYCO ELECTRONICS CORPORATION AND ITS WORLDWIDE SUBSIDIARIES AND AFFILIATES. IT MAY NOT BE DISCLOSED TO ANYONE OTHER THAN TYCO ELECTRONICS PERSONNEL, WITHOUT WRITTEN AUTHORIZATION FROM TYCO ELECTRONICS CORPORATION, HARRISBURG, PENNSYLVANIA USA.										

PARTS SHALL COMPLY WITH TYCO ELECTRONICS 138-702 SPECIFICATION FOR HAZARDOUS SUBSTANCES UNLESS OTHERWISE SPECIFIED		Tyco Electronics CORCOH PRODUCTS, 620 S. BUTTERFIELD RD., HINDELEIN, IL 60050	
TOLERANCE TO BE ±0.63		MATERIAL & FINISH: AS SUPPLIED	
NOTES:			
TYCO ELECTRONICS PART NO. 1609133-3		CUSTOMER DRAWING	
SCALE: 1:1	DATE: 17FEB10	DRAWING NUMBER: 6ESRM-3	REV. D
DRW. BY: LJD	DRG: FCW		