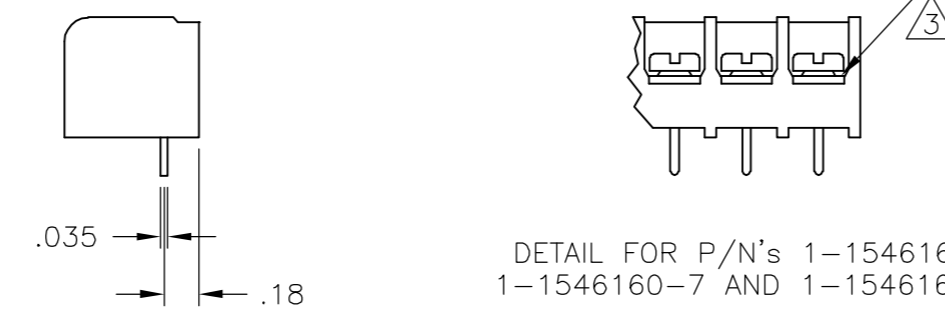
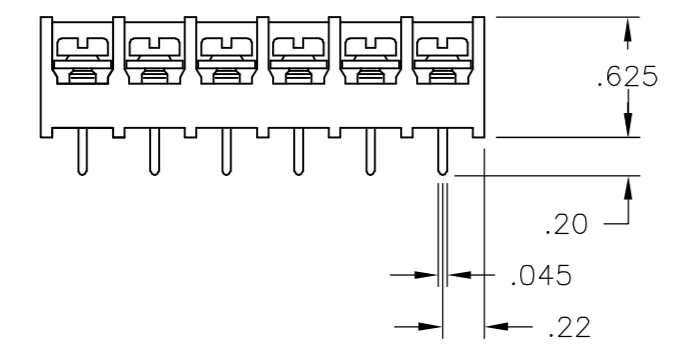
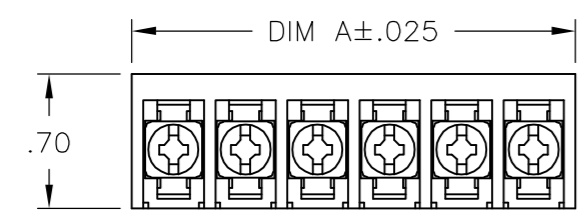


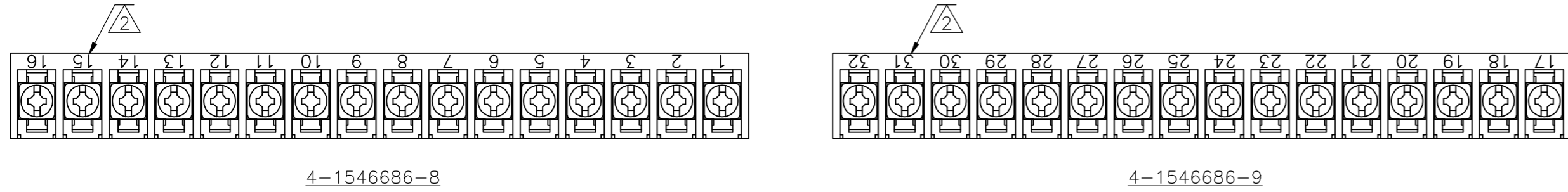
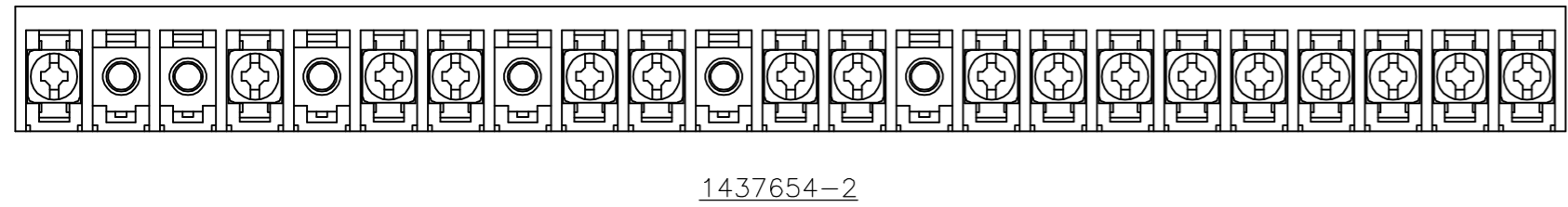
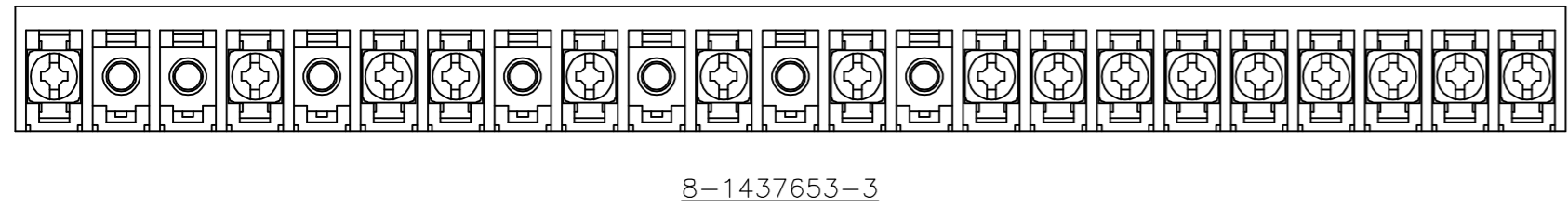
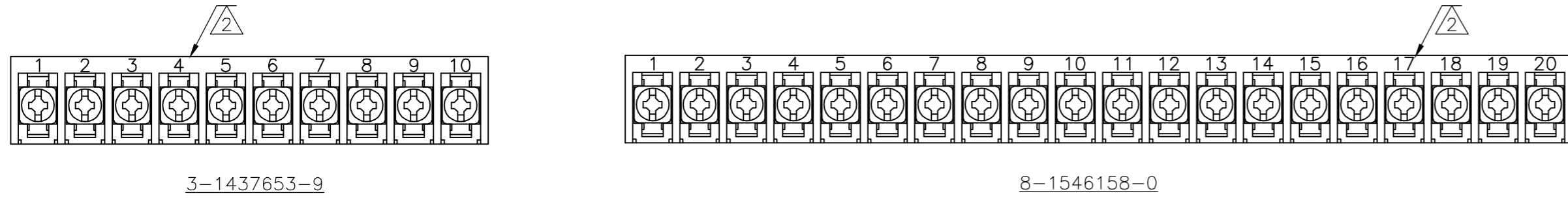
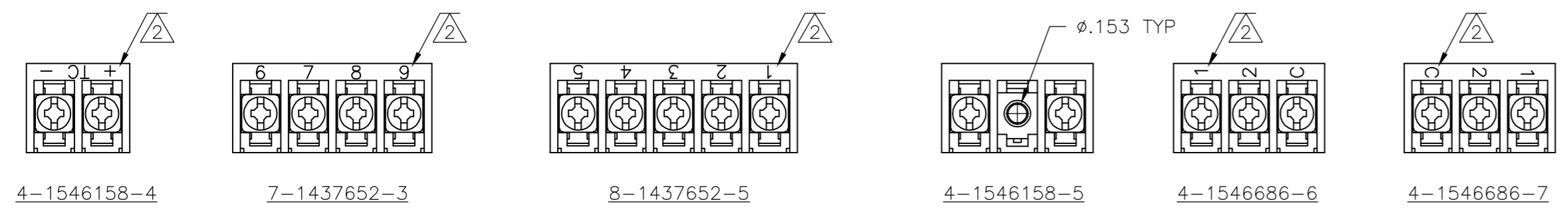
THIS DRAWING IS UNPUBLISHED. RELEASED FOR PUBLICATION  
 © COPYRIGHT BY TYCO ELECTRONICS CORPORATION. ALL RIGHTS RESERVED.

LOC	DIST	REVISIONS					
FT	0	P	LTR	DESCRIPTION	DATE	DWN	APVD
		H2		REVISED PER ECO-06-26338	11/13/06	SS	SRY

- NOTES:
- △ CAPTIVE SCREWS.
  - △ MARK WITH WHITE PERMANENT INK.
  - △ ALL SCREWS TO BE DRIVEN DOWN TO TERMINAL SURFACE.
  - △ NICKEL PLATED BRASS SCREWS.
  - △ PRELIMINARY PART NUMBER.



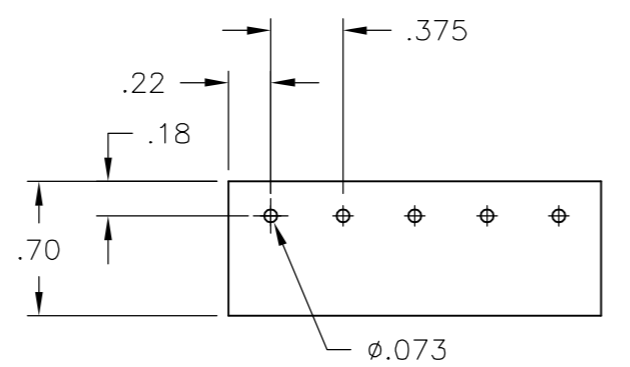
DETAIL FOR P/N's 1-1546160-6,  
1-1546160-7 AND 1-1546160-8



MATERIAL:  
 HOUSING: THERMOPLASTIC, UL94V-0 BLACK.  
 TERMINALS: BRIGHT TIN PLATED, COPPER ALLOY.  
 SCREWS: 6-32, STEEL, ZINC PLATED WITH CLEAR CHROMATE.

ELECTRICAL:  
 CURRENT RATING UL/CSA:  
 CLASS C: 25A, 300V.  
 CLASS D: 5A, 600V.  
 WIRE RANGE: 12-22 AWG

MECHANICAL:  
 RECOMMENDED TIGHTENING TORQUE: 7 IN-LBS.  
 OPERATING TEMP.: 105°C MAX



RECOMMENDED PCB LAYOUT

DIM A REF	NO OF POS	CATALOG NUMBER	TYCO PART NO.
11.311	30	6PCV-30-006	4-1546686-5
10.936	29	6PCV-29-006	1-1437656-2
10.561	28	6PCV-28-006	8-1546158-6
10.186	27	6PCV-27-006	8-1546158-5
9.811	26	6PCV-26-006	4-1437654-5
9.436	25	6PCV-25-006	4-1437654-1
9.061	24	6PCV-24-006	8-1546158-2
8.686	23	6PCV-23-006	4-1546686-3
8.311	22	6PCV-22-006	3-1437654-4
7.936	21	6PCV-21-006	3-1437654-1
7.561	20	6PCV-20-323	8-1546158-0
7.561	20	6PCV-20-006	1-1437654-9
7.186	19	6PCV-19-006	1-1437654-4
6.811	18	6PCV-18-006	1437654-7
6.436	17	6PCV-17-899	1437654-2
6.061	16	6PCV-16-1389	4-1546686-9
6.061	16	6PCV-16-1388	4-1546686-8
6.061	16	6PCV-16-1047	8-1437653-3
6.061	16	6PCV-16-006	8-1437653-0
5.686	15	6PCV-15-1298	1-1546160-8
5.686	15	6PCV-15-006	7-1437653-4
5.311	14	6PCV-14-006	6-1437653-8
4.936	13	6PCV-13-1297	1-1546160-7
4.936	13	6PCV-13-006	6-1437653-3
4.561	12	6PCV-12-1296	1-1546160-6
4.561	12	6PCV-12-006	5-1437653-1
4.186	11	6PCV-11-006	4-1437653-5
3.811	10	6PCV-10-1269	3-1437653-9
3.811	10	6PCV-10-006	3-1437653-5
3.436	9	6PCV-09-002	1546262-3
3.436	9	6PCV-09-006	2-1437653-5
3.061	8	6PCV-08-1394	1546262-7
3.061	8	6PCV-08-1314	1-1437653-7
3.061	8	6PCV-08-006	1-1437653-3
2.686	7	6PCV-07-006	1437653-7
2.311	6	6PCV-06-002	1546262-4
2.311	6	6PCV-06-006	9-1437652-5
1.936	5	6PCV-05-002	5-1546686-0
1.936	5	6PCV-05-1267	8-1437652-5
1.936	5	6PCV-05-006	8-1437652-2
1.561	4	6PCV-04-1268	7-1437652-3
1.561	4	6PCV-04-1143	7-1437652-2
1.561	4	6PCV-04-006	6-1437652-7
1.186	3	6PCV-03-1385	4-1546686-7
1.186	3	6PCV-03-1384	4-1546686-6
1.186	3	6PCV-03-006	5-1437652-4
.811	2	6PCV-02-1393	1546262-6
1.186	2	6PCV-02-807	4-1546158-5
.811	2	6PCV-02-1313	4-1437652-5
.811	2	6PCV-02-1216	4-1546158-4
.811	2	6PCV-02-006	3-1437652-9

THIS DRAWING IS A CONTROLLED DOCUMENT.		DWN R BROWN 22APR03		Tyco Electronics Corporation	
DIMENSIONS: INCHES		CHK H WAKEEM 22APR03		Harrisburg, PA 17105-3608	
TOLERANCES UNLESS OTHERWISE SPECIFIED:		APVD H WAKEEM 22APR03	NAME 6PCV-XX-006		
0 PLC ± -		PRODUCT SPEC	APPLICATION SPEC		
1 PLC ± -		SIZE CAGE CODE DRAWING NO RESTRICTED TO			
2 PLC ± .02		A2 00779 C=3-1437652-9			
3 PLC ± .010		WEIGHT -			
4 PLC ± -		CUSTOMER DRAWING			
ANGLES ± 1°		SCALE 1:1 SHEET 1 of 1 REV H2			
FINISH					