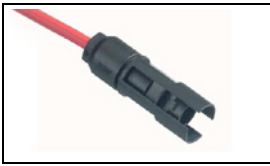


7-1394461-4 Product Details

[Share](#) [Print](#) [Email](#)



7-1394461-4

TE Internal Number: 7-1394461-4
✔ Active

[View 3D PDF](#)

SOLARLOK Connector System

Always EU RoHS/ELV Compliant (Statement of Compliance)

Product Highlights:

- Connector
- Keying = Minus
- Insulation Diameter = 4.50 - 6.00 [.177 - .237] mm [in]
- Type of Connector = Cable Coupler
- Male

[View all Features](#)

Quick Links

- ▶ [Pricing & Availability](#)
- ▶ [Search for Tooling](#)
- ▶ [Product Feature Selector](#)
- ▶ [Contact Us About This Product](#)

[Add to My Part List](#) [Request Sample](#) [Find Similar Products](#) [Buy Product](#)

Documentation & Additional Information

Product Drawings:

- [PHOTOVOLTAIK CONNECTOR 1 POS. PHOTOVOLTAIK STECKVERB... \(PDF, English\)](#)

Catalog Pages/Data Sheets:

- [AMERICAS_VERSION_SOLARLOK_INSTALLATION_MANUAL_2-1773... \(PDF, English\)](#)
- [CONNECTIVITY_SYSTEMS_FOR_PV_INSTALLERS_3-1773458-6 \(PDF, English\)](#)
- [SOLARLOK_CONNECTIVITY_SYSTEMS_FOR_PV_MANUFACTURERS_3... \(PDF, English\)](#)

Product Specifications:

- None Available

Application Specifications:

- [Application Specification \(PDF, English\)](#)

Instruction Sheets:

- None Available

CAD Files: [\(CAD Format & Compression Information\)](#)

- [2D Drawing \(DXF, Version M\)](#)
- [3D Model \(IGES, Version M\)](#)
- [3D Model \(STEP, Version M\)](#)

[List all Documents](#)

Related Products:

- [Tooling](#)

Product Features (Please use the Product Drawing for all design activity)

Product Type Features:

- Product Type = Connector
- Type of Connector = Cable Coupler
- Gender = Male
- Wire Size (mm² [AWG]) = 6.0² [10]

Dimensions:

- Insulation Diameter (mm [in]) = 4.50 - 6.00 [.177 - .237]

Contact Features:

- Contact Base Material = Copper Zinc
- Contact Finish = Silver Plate

Housing Features:

- Housing Material = PPO
- Housing Color = Black

Industry Standards:

- [RoHS/ELV Compliance](#) = RoHS compliant, ELV compliant
- [Lead Free Solder Processes](#) = Not relevant for lead free process
- [RoHS/ELV Compliance History](#) = Always was RoHS compliant

Identification Marking:

- Keying = Minus

Packaging Features:

- Packaging Quantity = 100

Other:

- Brand = TE Connectivity

Corporate Information

- [About TE](#)
- [Investors](#)
- [News Room](#)
- [Supplier Portal](#)
- [Careers](#)
- [Terms & Conditions](#)

Quick Links

- [Distributor Inventory](#)
- [Product Cross Reference](#)
- [Documents & Drawings](#)
- [Product Compliance Support Center](#)
- [Site Map](#)

Customer Support

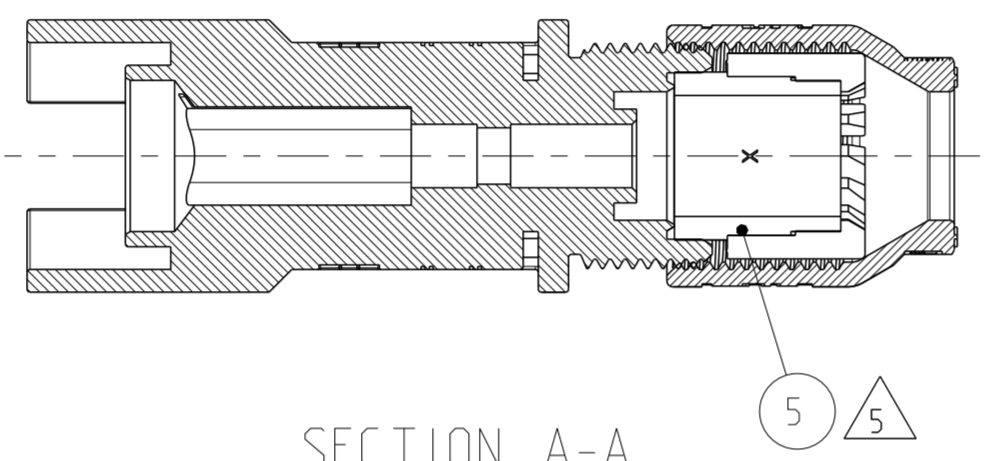
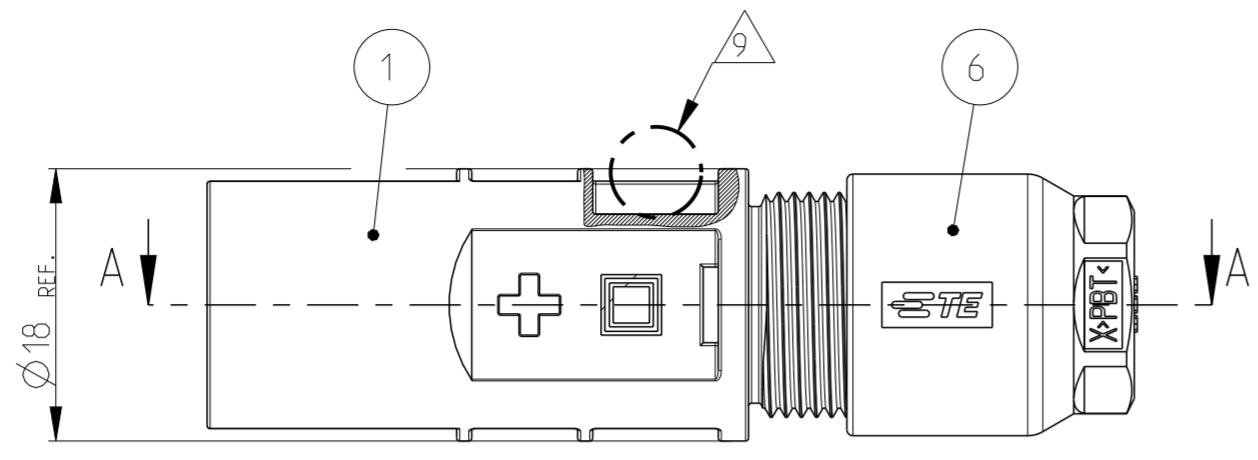
- [Email or Chat With Us](#)
- [Find a Phone Number](#)
- [Knowledge Base](#)
- [Manage Your Account](#)

THIS DRAWING IS UNPUBLISHED
 VERTRAULICHE UNVERÖFFENTLICHTE ZEICHNUNG
 © COPYRIGHT 2002 TE Connectivity

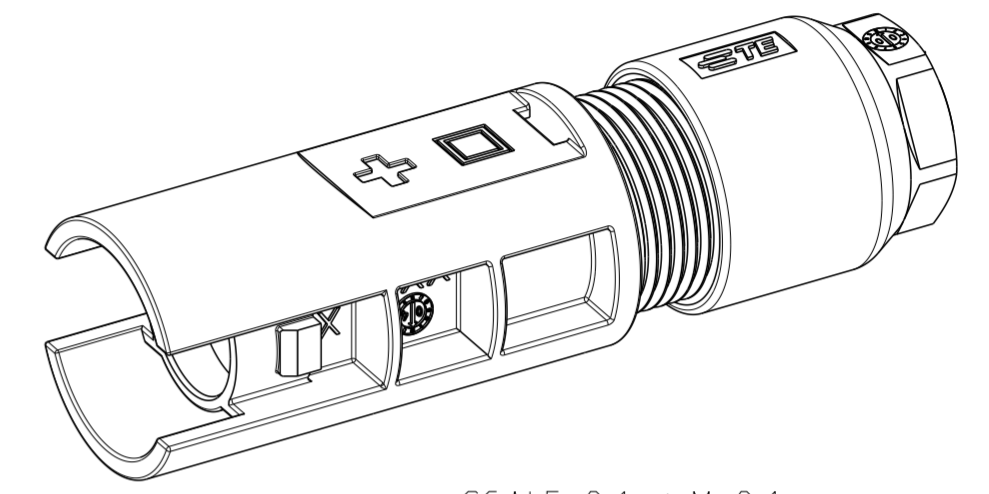
RELEASED FOR PUBLICATION
 FREI FUER VERÖFFENTLICHUNG
 ALL RIGHTS RESERVED.
 ALLE INTERNATIONALEN RECHTE VORBEHALTEN.

MATED WITH:
 PASSEND ZU:

LOC	DIST	REVISIONS					
A1	-	P	LTR	DESCRIPTION	DATE	DWN	APVD
PROJEKT NR.:		M1		PINCH RING SEAL-INMOLDED, ASSYCHANGED TO GEN.4	06DEC2012	V.P	T.J

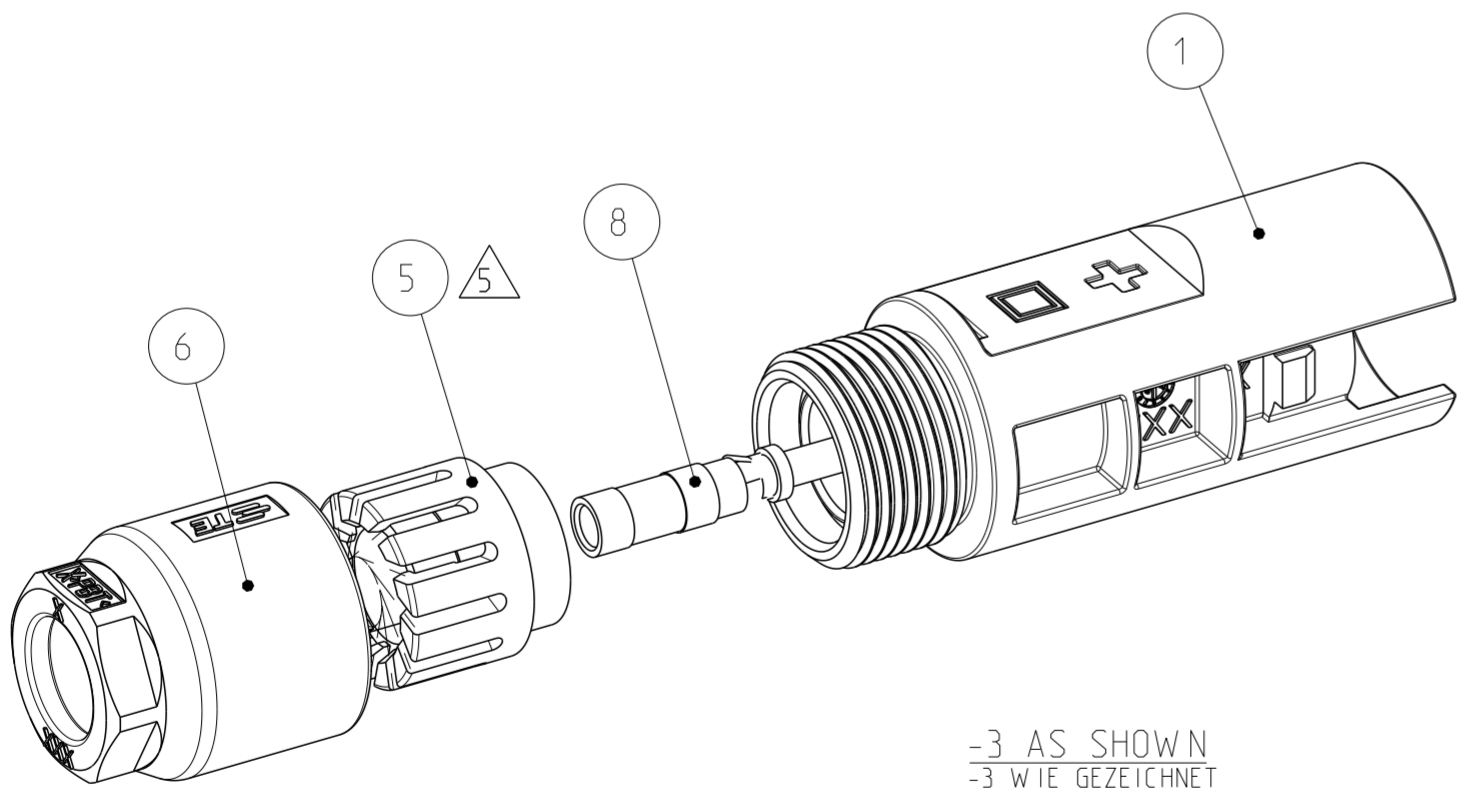


-3 PREASSEMBLED AS SHOWN
 -3 VORASSEMBLIERT WIE GEZEICHNET



SCALE 2:1 / M 2:1

SECTION A-A
 SCHNITT A-A



-3 AS SHOWN
 -3 WIE GEZEICHNET

SUPERSEDED BY 1394461-4 ERSETZT DURCH 1394461-4																											
SUPERSEDED BY 1394461-3 ERSETZT DURCH 1394461-3																											
SUPERSEDED BY 1394461-2 ERSETZT DURCH 1394461-2																											
SUPERSEDED BY 1394461-1 ERSETZT DURCH 1394461-1																											
7-1394461-5	7-1394461-4	7-1394461-3	7-1394461-2	7-1394461-1	7-1394461-0	6-1394461-6	6-1394461-5	6-1394461-4	6-1394461-3	6-1394461-2	6-1394461-1	4-1394461-9	4-1394461-8	4-1394461-7	2-1394461-8	1394461-8	1394461-7	1394461-4	1394461-3	1394461-2	1394461-1	14	INSTRUCTION SHEET VERARBEITUNGSANWEISUNG	8	-	-	
1	1	1	1	1	1	1	1	1	1	1	1	1	1	1	1	1	1	1	1	1	1	1	13	PLASTIC BAG KUNSTSTOFF-BEUTEL	1 8	TRANSPARENT	PE-LD
3	1	1	3	1	1	1	1	3	3	3	3	1	1	1	1	1	1	1	1	1	1	1	12	ZIP LOCK BAG MINIGRIP-BEUTEL	2 8	TRANSPARENT	PE-LD
1	-	-	1	-	-	-	-	1	1	1	1	-	-	-	-	-	-	-	-	-	-	-	11	LABEL MINUS ETIKETT MINUS	2 8	WHITE WEISS	POLYESTER
1	-	-	1	-	-	-	-	1	1	1	1	-	-	-	-	-	-	-	-	-	-	-	10	LABEL PLUS ETIKETT PLUS	2 8	WHITE WEISS	POLYESTER
1	1	1	-	-	-	1	1	1	-	-	-	-	-	-	-	-	-	-	-	-	-	-	9	PIN CONTACT ASSY HVT, 6mm ² / 10AWG STIFTKONTAKT ASSY HVT, 6mm ² / 10AWG	2 7	Ag / PLAIN Ag / BLANK	CuZn / X10CrNi 18 8 CuZn / X10CrNi 18 8
-	-	-	1	1	1	-	-	-	-	1	-	-	1	-	-	-	-	-	-	-	-	-	8	PIN CONTACT ASSY HVT, 4mm ² / 12AWG STIFTKONTAKT ASSY HVT, 4mm ² / 12AWG	2	Ag / PLAIN Ag / BLANK	CuZn / X10CrNi 18 8 CuZn / X10CrNi 18 8
-	-	-	-	-	-	-	-	1	-	1	-	-	1	-	1	-	-	-	-	-	-	-	7	PIN CONTACT ASSY HVT, 2.5mm ² STIFTKONTAKT ASSY HVT, 2.5mm ²	2	Ag / PLAIN Ag / BLANK	CuZn / X10CrNi 18 8 CuZn / X10CrNi 18 8
1	1	1	1	1	1	1	1	1	1	1	1	1	1	1	1	1	1	1	1	1	1	1	6	CABLE SCREW JOINT KABELVERSCHRAUBUNG	1 6	BLACK SCHWARZ	PBT PBT
-	-	-	-	-	-	1	1	1	-	1	1	1	1	1	-	-	-	1	1	1	1	1	5	PINCH RING SEAL-INMOLDED, ASSY KLEMMKORB DICHTUNG UMSPRITZT, ASSY	1 5	-	PA66 / LSR PA66 / LSR
1	1	1	1	1	1	-	-	-	-	-	-	-	-	-	-	-	-	-	-	-	-	-	4	PINCH RING SEAL, ASSY KLEMMKORB DICHTUNG, ASSY	1 4	BLACK SCHWARZ	POM / EPDM+PP POM / EPDM+PP
1	-	-	1	-	-	-	-	1	1	1	1	-	-	-	-	-	-	-	-	-	-	-	3	PIN HOUSING NEUTRAL STIFTGEHÄUSE NEUTRAL	1	BLACK SCHWARZ	PPE+PS PPE+PS
-	1	-	-	1	-	-	-	-	-	-	-	1	-	1	-	1	-	-	-	-	-	-	2	PIN HOUSING MINUS STIFTGEHÄUSE MINUS	1	BLACK SCHWARZ	PPE+PS PPE+PS
-	-	1	-	-	1	-	-	-	-	-	-	1	-	1	-	1	-	-	-	-	-	-	1	PIN HOUSING PLUS STIFTGEHÄUSE PLUS	1	BLACK SCHWARZ	PPE+PS PPE+PS
QUANTITY STÜCK												ITEM-NO. POS.	DESCRIPTION BENENNUNG										SURFACE OBERFLÄCHE	MATERIAL			

ORDER-NO.
 BESTELL-NR.

THIS DRAWING IS A CONTROLLED DOCUMENT.

DIMENSIONS: MASSE/INHEITEN: (mm)

TOLERANCES UNLESS OTHERWISE SPECIFIED: ALLGEMEINTOLERANZEN

MATERIAL

DWN E.WERNER 25-JAN-02
 CHK H.SCHERER 25-JAN-02
 APVD G.FELDMEIER 25-JAN-02

PRODUCT SPEC 108-18701
 APPLICATION SPEC 114-18488-1

WEIGHT GEWICHT -

Customer Drawing

NAME PHOTOVOLTAIK CONNECTOR 1 POS.
 PHOTOVOLTAIK STECKVERBINDER 1 POL.

SIZE A2 CAGE CODE 00779 DRAWING NO. ZEICHNUNGS-NR. C-1394461

RESTRICTED TO NUR FUER -

SCALE MASSSTAB 2:1 SHEET BLATT 1 OF VON 3 REV. M1

LOC	DIST	REVISIONS				
		AENDERUNGEN	DESCRIPTION	DATE	DWN	APVD
A1	-					
PROJEKT NR.: EGLPC00034			SEE SHEET 1			

1 PACKAGING INSTRUCTION: 100 PIECES PIN HOUSINGS (ITEM NO. 1, 2 OR 3) AND PINCH RING SEAL, ASSY (ITEM NO. 4) OR PINCH RING SEAL INMOLDED ASSY (ITEM NO. 5) PREASSEMBLED WITH CABLE SCREW JOINT (ITEM NO. 6).
 PREASSEMBLED PARTS PACKAGED IN ESD PLASTIC BAG (ITEM NO. 13).
 ESD PLASTIC BAG (ITEM NO. 13) PROVIDED WITH LABEL AND LABEL MARKED WITH PART NUMBER, QUANTITY AND DESCRIPTION.

PIN CONTACT ASSY'S (ITEM NO. 7, 8 OR 9) PACKAGED ACCORDING TO 2 .

2 PACKAGING INSTRUCTION: 100 PIECES OF EACH PART PACKAGED IN ZIP LOCK BAG (ITEM NO. 12).
 ZIP LOCK BAG (ITEM NO. 12) PROVIDED WITH LABEL AND LABEL MARKED WITH PART NUMBER, QUANTITY AND DESCRIPTION.

3 PACKAGING UNIT: ALL COMPONENTS OF EACH DASH-NUMBER PACKAGED ACCORDING TO 1 OR 2
 PACKAGED IN CORRUGATED SHIPPING BOX.
 PUT INSIDE ON TOP CORRUGATED SHIPPING BOX INSTRUCTION SHEET (ITEM NO. 14).
 CORRUGATED SHIPPING BOX PROVIDED WITH LABEL AND LABEL MARKED WITH PART NUMBER, QUANTITY AND DESCRIPTION.

4 FOR CABLE DIAMETER 4.5mm TO 6.9mm

5 FOR CABLE DIAMETER 5.5mm TO 7.8mm

6 TIGHTENING TORQUE SEE APPLICATION SPECIFICATION 114-18488-1

7 USE ONLY SOLAR CABLE TYPE: OKONITE USE-2

8 LABELS (ITEM NO. 10 AND 11), ZIP LOCK BAG (ITEM NO. 12), ESD PLASTIC BAG (ITEM NO. 13), AND INSTRUCTION SHEET (ITEM NO. 14) NOT SHOWN

9 IN THIS AREA A MOULD INJECTION POINT UP TO MAXIMUM HEIGHT OF 2mm IS ACCEPTABLE

1 VERPACKUNGSANWEISUNG: 100 STUECK STIFTGEHAEUSE (POS. 1, 2 ODER 3) UND KLEMMKORB DICHTUNG, ASSY (POS. 4) BZW. KLEMMKORB DICHTUNG UMSPRITZT, ASSY (POS. 5) VORASSEMBLIERT MIT KABELVERSCHRAUBUNG (POS. 6).
 VORASSEMBLIERTE TEILE VERPACKT IN ESD KUNSTSTOFF-BEUTEL (POS. 13).
 ESD KUNSTSTOFF-BEUTEL (POS. 13) MIT ETIKETT VERSEHEN UND ETIKETT MIT TEILENUMMER, STUECKZAHL UND BEZEICHNUNG BESCHRIFTET.

STIFTKONTAKT ASSY'S (POS. 7, 8, ODER 9) VERPACKT GEMAESS 2 .

2 VERPACKUNGSANWEISUNG: 100 STUECK VON JEDEM TEIL IM MINIGRIP-BEUTEL (POS. 12) VERPACKT.
 MINIGRIP-BEUTEL (POS. 12) MIT ETIKETT VERSEHEN UND ETIKETT MIT TEILENUMMER, STUECKZAHL UND BEZEICHNUNG BESCHRIFTET.

3 VERPACKUNGSEINHEIT: ALLE KOMPONENTEN EINER STRICHVARIANTE VERPACKT GEMAESS 1 UND 2
 IN VERSANDKARTON VERPACKT.
 VERSANDKARTON VERARBEITUNGSANWEISUNG (POS. 14) OBENAUF GELEGT.
 VERSANDKARTON MIT ETIKETT VERSEHEN UND ETIKETT MIT TEILENUMMER, STUECKZAHL UND BEZEICHNUNG BESCHRIFTET.

4 FUER LEITUNGSDURCHMESSER 4.5mm BIS 6.9mm


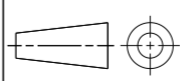
5 FUER LEITUNGSDURCHMESSER 5.5mm BIS 7.8mm

6 ANZUGSDREHMOMENT SIEHE VERARBEITUNGSSPEZIFIKATION 114-18488-1

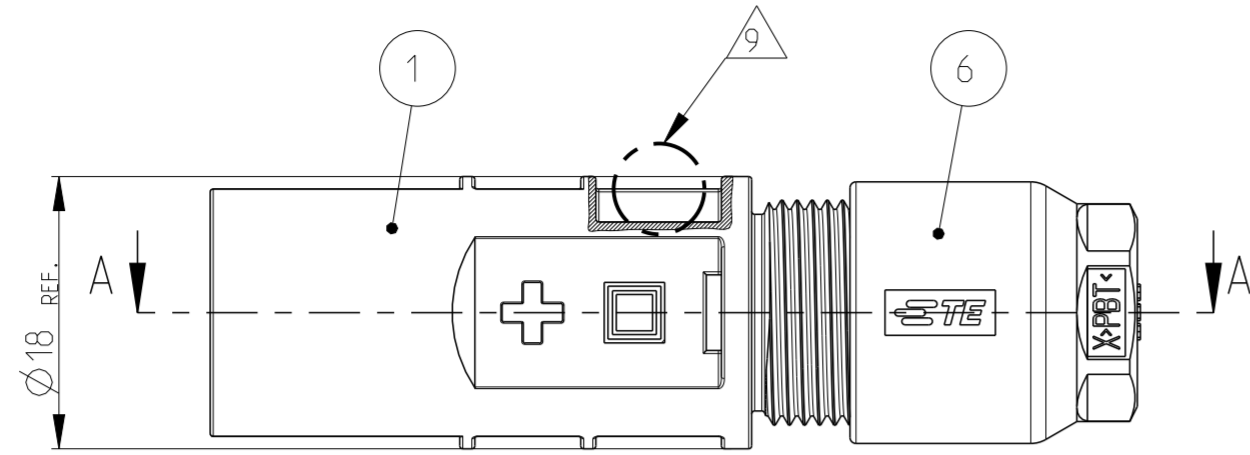
7 NUR SOLARKABEL TYP: OKONITE USE-2 VERWENDEN

8 ETIKETTEN (POS. 10 UND 11), MINIGRIP-BEUTEL (POS. 12), ESD KUNSTSTOFF-BEUTEL (POS.13) UND VERARBEITUNGSANWEISUNG (POS. 14) NICHT DARGESTELLT

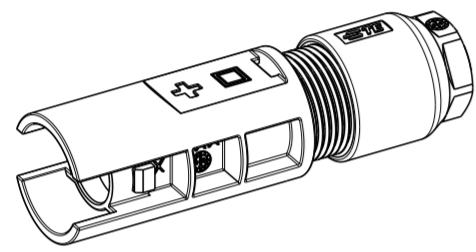
9 IN DIESEM BEREICH EIN ANSPRITZPUNKT BIS ZU EINER MAXIMALEN HOEHE VON 2mm ZULÄSSIG

THIS DRAWING IS A CONTROLLED DOCUMENT.		DWN E. WERNER 25-JAN-02	 TE Connectivity	
		CHK H. SCHERER 25-JAN-02		
		APVD G. FELDMEIER 25-JAN-02	NAME PHOTOVOLTAIK CONNECTOR 1 POS. PHOTOVOLTAIK STECKVERBINDER 1 POL.	
DIMENSIONS: MASSEINHEITEN: (MM)		TOLERANCES UNLESS OTHERWISE SPECIFIED: ALLGEMEINTOLERANZEN		SIZE A2
		PRODUCT SPEC 108-18701		CAGE CODE 00779
MATERIAL -		APPLICATION SPEC VERARBEITUNGSSPEZ. 114-18488-1		DRAWING NO. ZEICHNUNGS-NR. C-1394461
		WEIGHT GEWICHT -		RESTRICTED TO NUR FUER -
		FINISH/OBERFLAECHE/FARBE -		SCALE MASSSTAB 2:1
		Customer Drawing		SHEET BLATT 2 OF VON 3
		/KUNDENZEICHNUNG		REV. M1

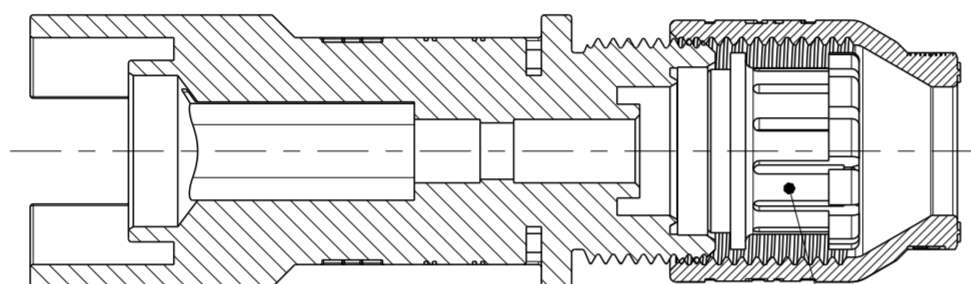
LOC	DIST	REVISIONS			
A1	-	ÄNDERUNGEN			
P	LTR	DESCRIPTION	DATE	DWN	APVD
		PROJEKT NR.: EGLPC00034	SEE SHEET 1	-	-



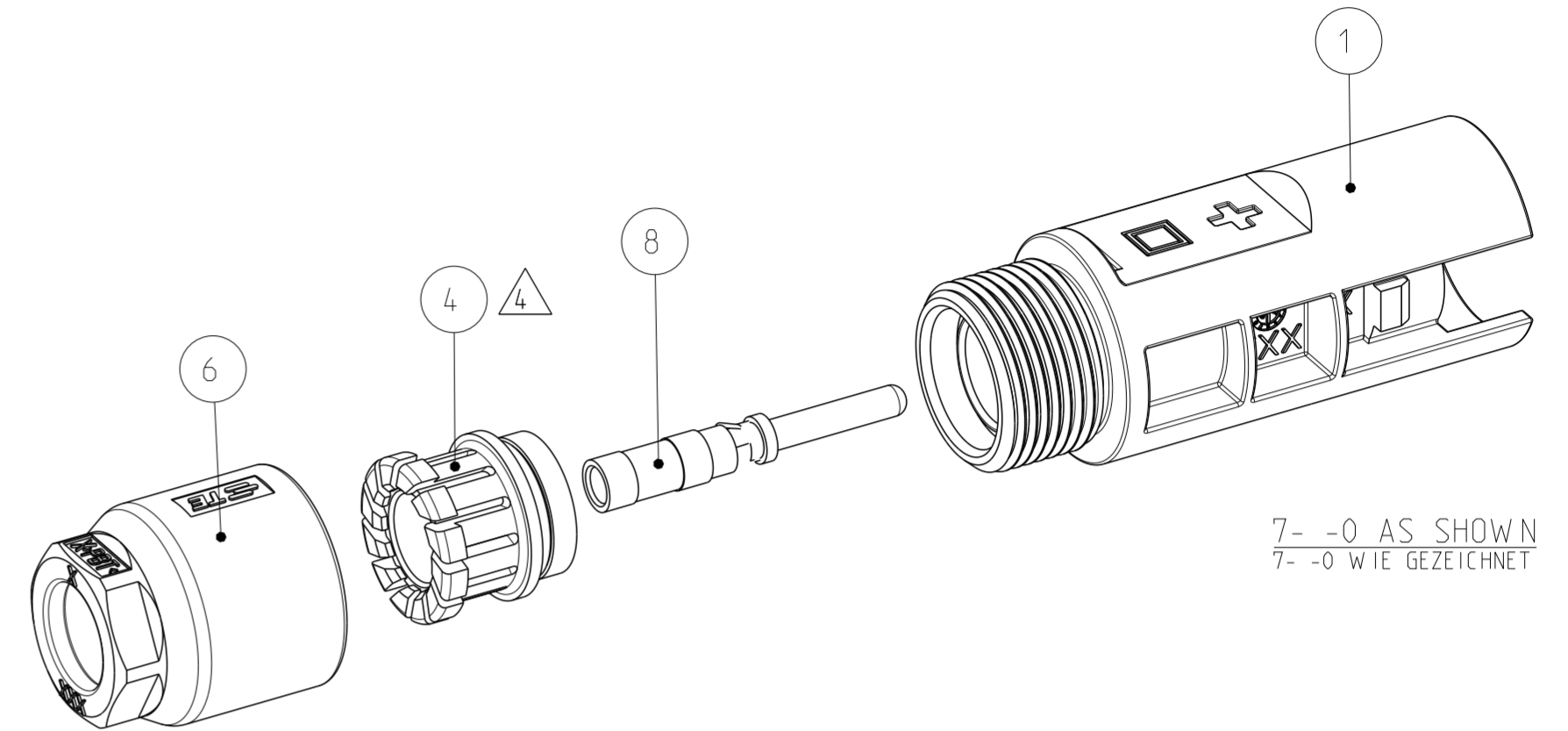
SECTION A-A
 SCHNITT A-A



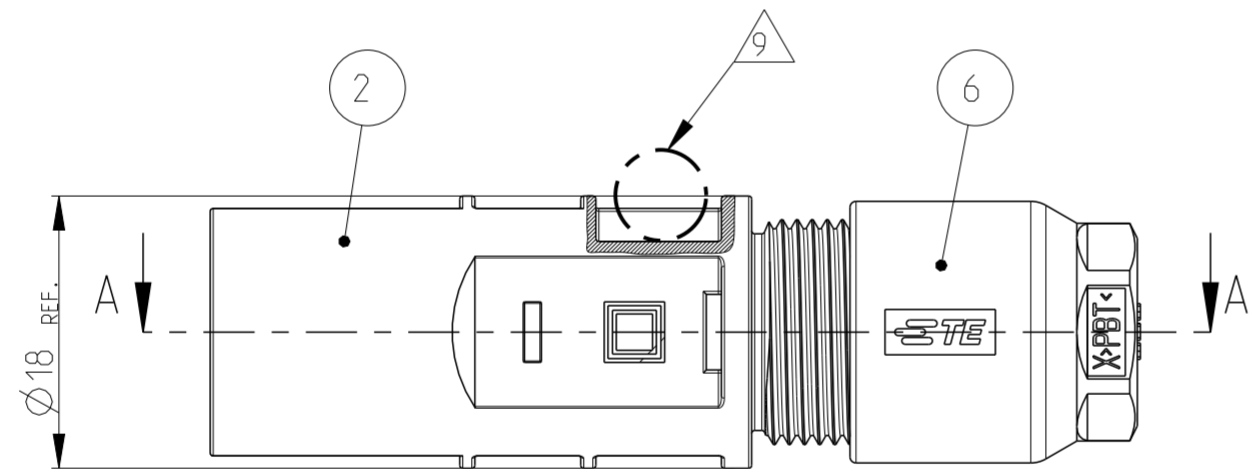
SCALE 1:1 / M 1:1



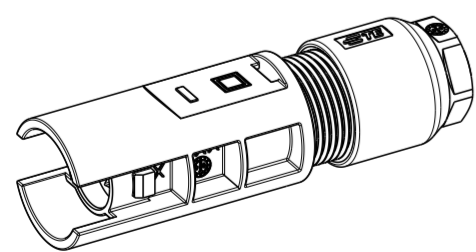
7- 0 PREASSEMBLED AS SHOWN
 7- 0 VORASSEMBLIERT WIE GEZEICHNET



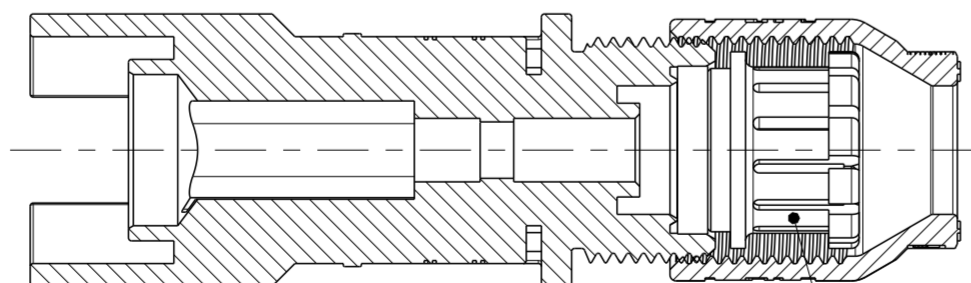
7- 0 AS SHOWN
 7- 0 WIE GEZEICHNET



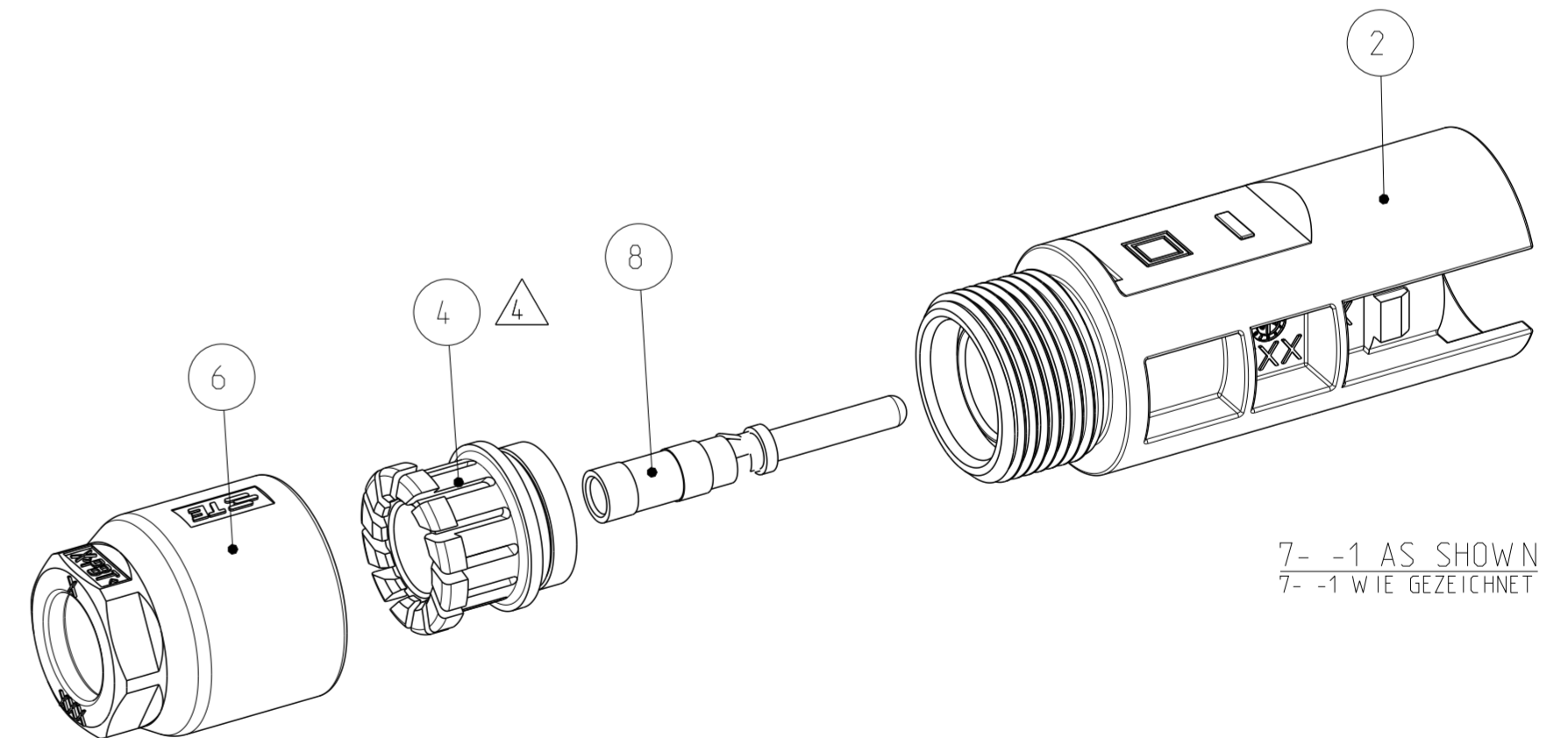
SECTION A-A
 SCHNITT A-A



SCALE 1:1 / M 1:1



7- 1 PREASSEMBLED AS SHOWN
 7- 1 VORASSEMBLIERT WIE GEZEICHNET



7- 1 AS SHOWN
 7- 1 WIE GEZEICHNET

THIS DRAWING IS A CONTROLLED DOCUMENT.		DWN E. WERNER 25-JAN-02	TE Connectivity		
DIMENSIONS: MASSEINHEITEN: (MM)		CHK H. SCHERER 25-JAN-02			
TOLERANCES UNLESS OTHERWISE SPECIFIED: ALLGEMEINTOLERANZEN		APVD G. FELDMEIER 25-JAN-02	NAME PHOTOVOLTAIK CONNECTOR 1 POS. PHOTOVOLTAIK STECKVERBINDER 1 POL.		
0 PLC ± 1 PLC ± 2 PLC ± 3 PLC ± 4 PLC ± ANGLES/WINKEL ± FINISH/OBERFLÄCHE/FARBE		PRODUCT SPEC 108-18701	SIZE A2		
MATERIAL		APPLICATION SPEC 114-18488-1	CAGE CODE 00779	DRAWING NO. ZEICHNUNGS-NR. C-1394461	RESTRICTED TO NUR FUER -
		WEIGHT GEWICHT -	SCALE MASSSTAB 2:1		SHEET BLATT 3
		Customer Drawing		REV. M1	