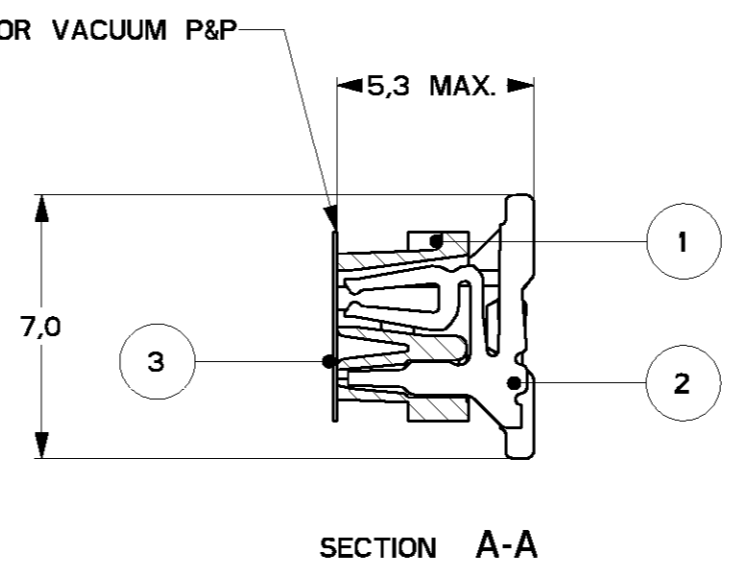
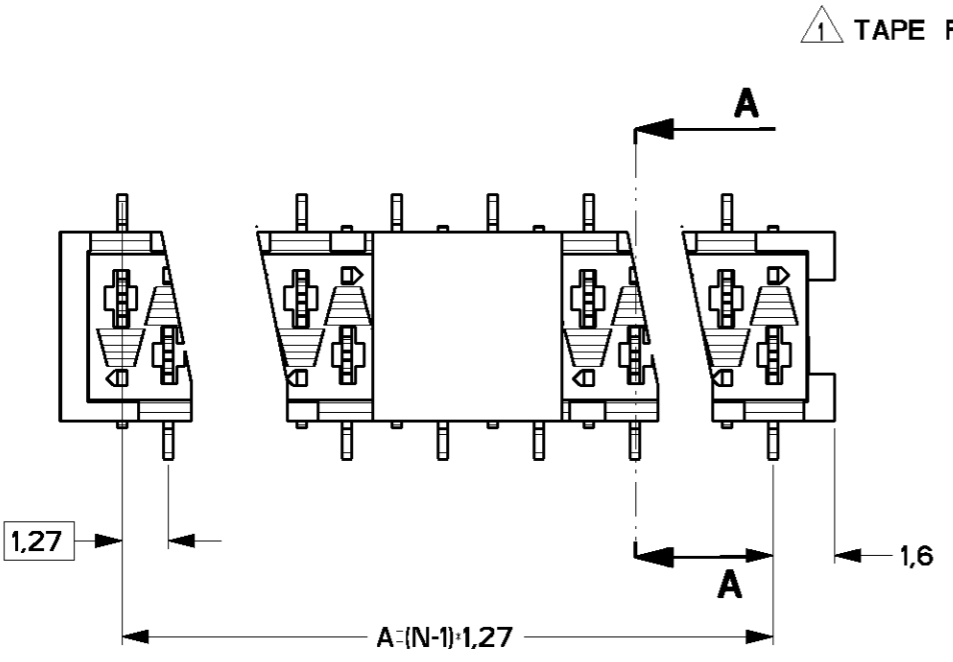
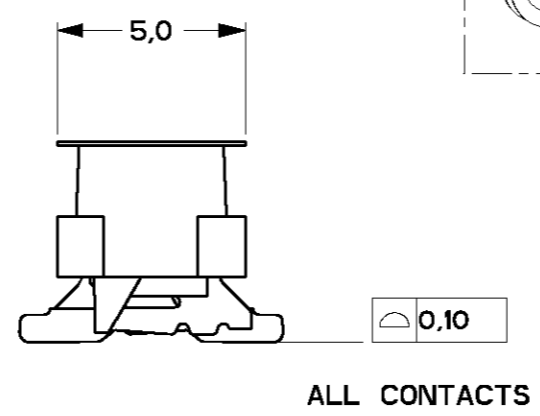
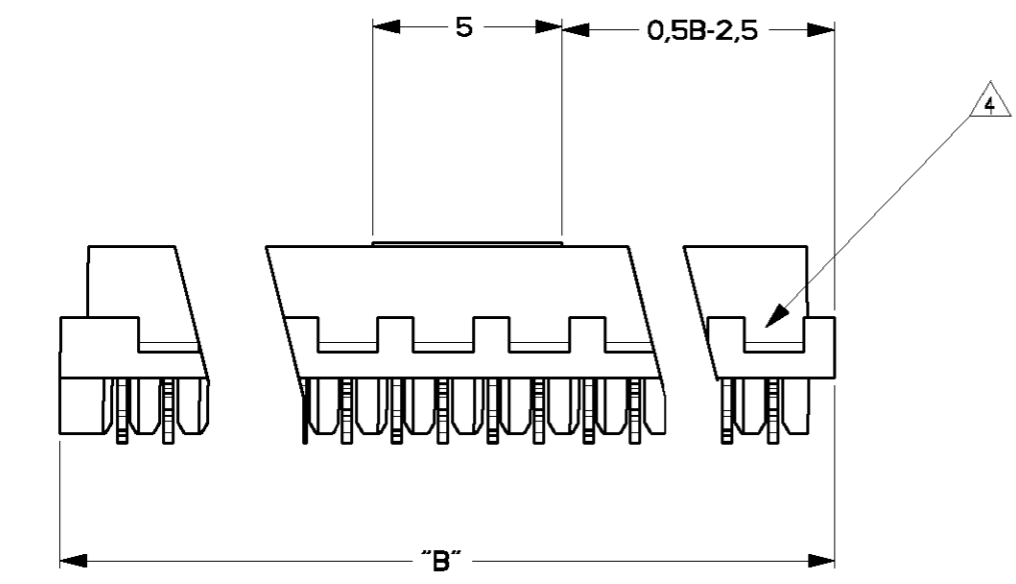
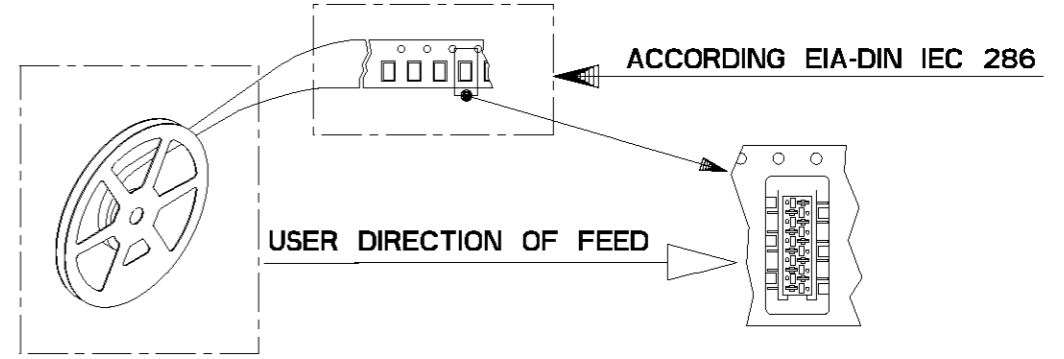


THIS DRAWING IS UNPUBLISHED. DATE: -  
 XXXXXXXXXXXX  
 By Tyco Electronics Nederland B.V. ALL RIGHTS RESERVED.

LOC	DIST	REVISIONS			
H	-	LTR	DESCRIPTION	DATE	APVD
		P	ECN EH01-0970-03	27-08-03	EL
		R	EH01-0232-04	16 FEB 04	EL
		-	-	-	-

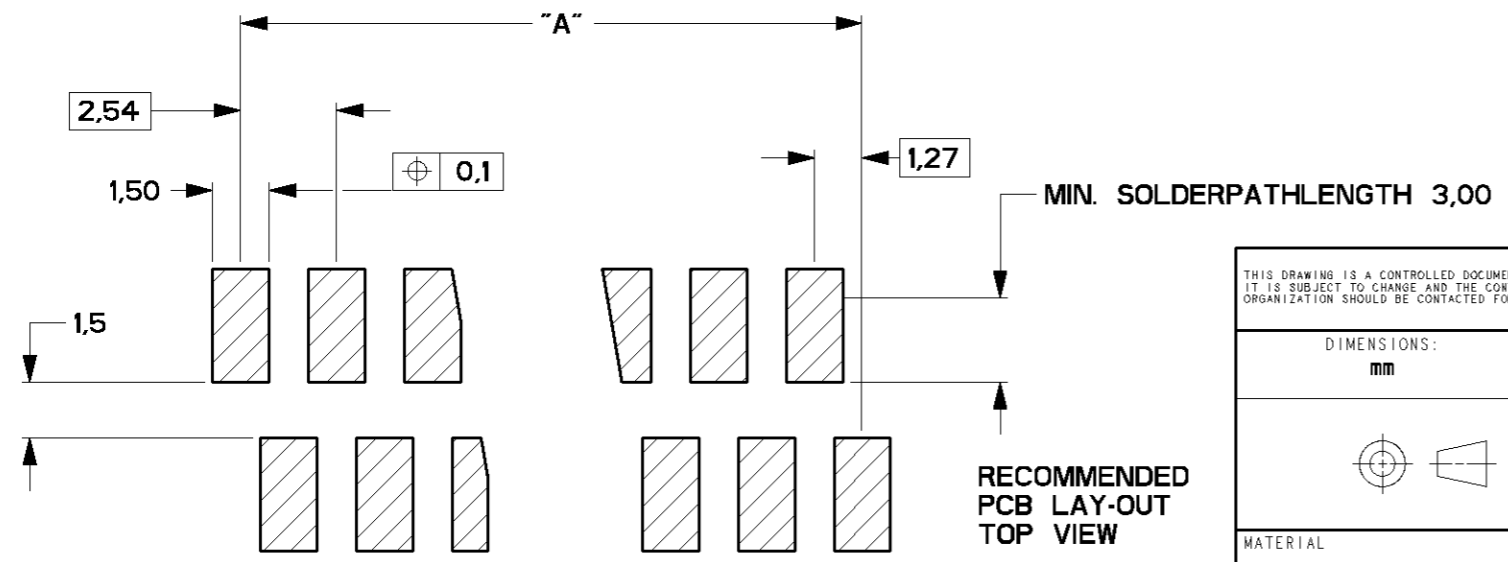


- NOTES:
- 1 TAPE FOR VACUUM P&P ONLY FOR DASHNUMBERS 7-18-19-
  - 2 FOR PACKAGING SEE SHEET 2-2
  - 3 WITHOUT VACUUM TAPE
  - 4 CORING OUTS OPTIONAL
  - 5 TIN OVER NICKEL PLATING.



900 CONNECTORS ON REEL

NR OF POS	"A"	"B" MAX	+ VAC.TAPE	
			PARTNUMBER	PARTNUMBER
4	3,81	7,1	7-188275-4	0-188275-4
6	6,35	9,7	7-188275-6	0-188275-6
8	8,89	12,2	7-188275-8	0-188275-8
10	11,43	14,7	8-188275-0	1-188275-0
12	13,97	17,3	8-188275-2	1-188275-2
14	16,51	19,8	8-188275-4	1-188275-4
16	19,05	22,4	8-188275-6	1-188275-6
18	21,59	24,9	8-188275-8	1-188275-8
20	24,13	27,5	9-188275-0	2-188275-0



3	Tape	4	-
2	Female contact	Phosphorbronze	-
1	Female housing	PA 4.6	Red
Item no.	Description	Material	Finish

THIS DRAWING IS A CONTROLLED DOCUMENT FOR Tyco Electronics Nederland B.V. IT IS SUBJECT TO CHANGE AND THE CONTROLLING ENGINEERING ORGANIZATION SHOULD BE CONTACTED FOR THE LATEST REVISION.

DIMENSIONS:	TOLERANCES UNLESS OTHERWISE SPECIFIED:
mm	
0 PLC	± -
1 PLC	± 0,1
2 PLC	± 0,05
3 PLC	± -
4 PLC	± -
ANGLES	± 0,2°
MATERIAL	FINISH
-	-

DWN M.Gosselink

CHK -

APVD -

PRODUCT SPEC 108-19052

APPLICATION SPEC -

WEIGHT -

**AMP Tyco Electronics Nederland B.V.**  
 'S-HERTOGENBOSCH, THE NETHERLANDS

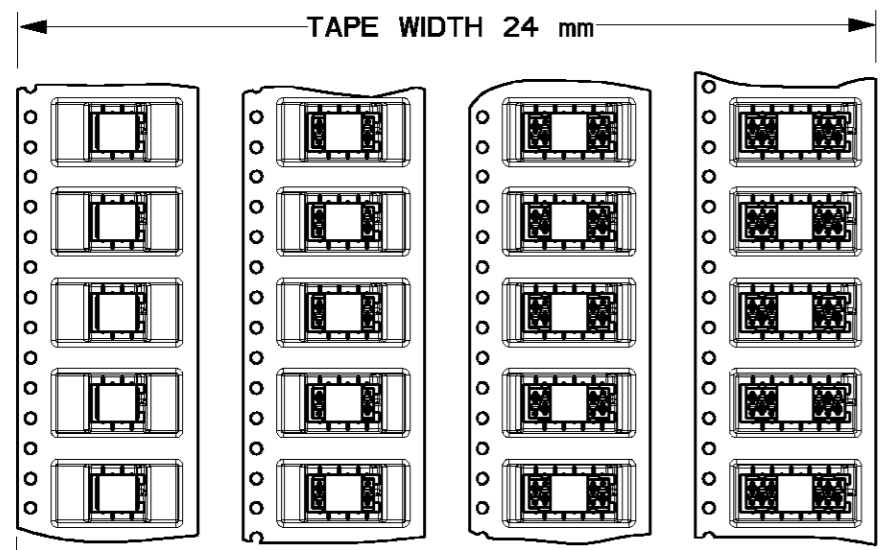
NAME MICRO-MATCH FTE SMD CONNECTOR

SIZE A3 CAGE CODE 00779 DRAWING NO C-188275

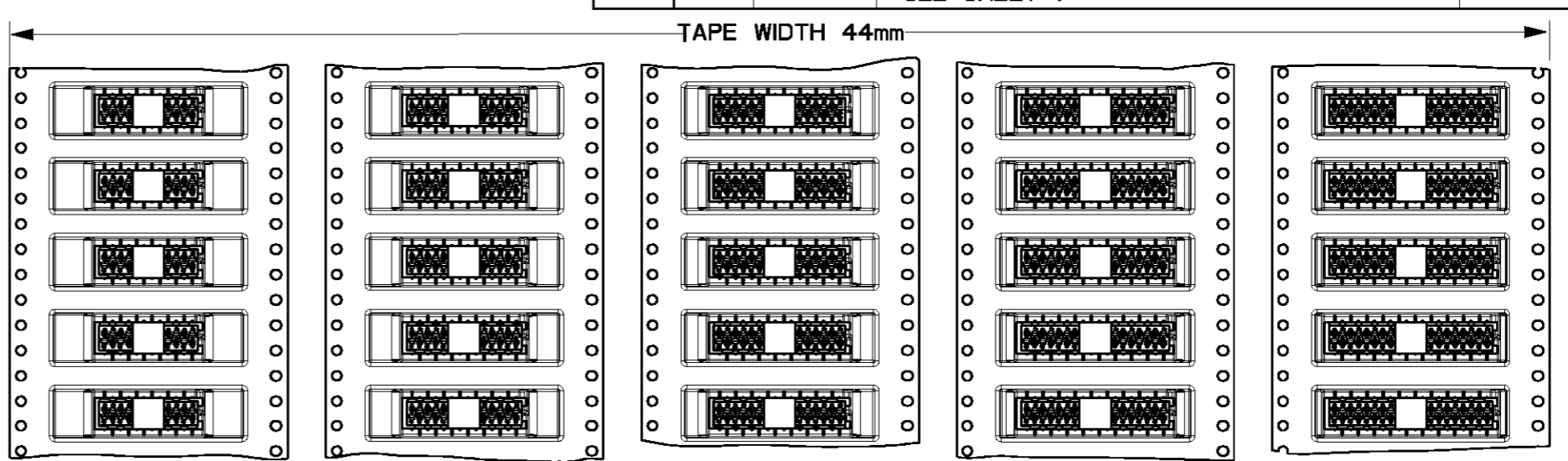
CUSTOMER DRAWING SCALE 10:1 SHEET 1 OF 2 REV R

THIS DRAWING IS UNPUBLISHED. **XXXXXXXXXXXX** DATE: -  
 By Tyco Electronics Nederland B.V. ALL RIGHTS RESERVED.

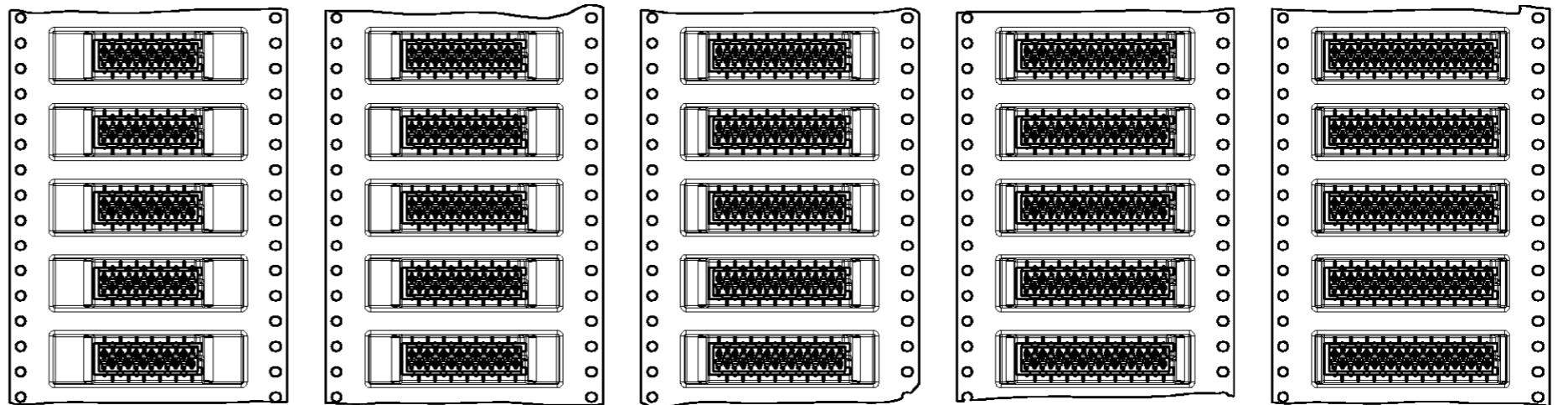
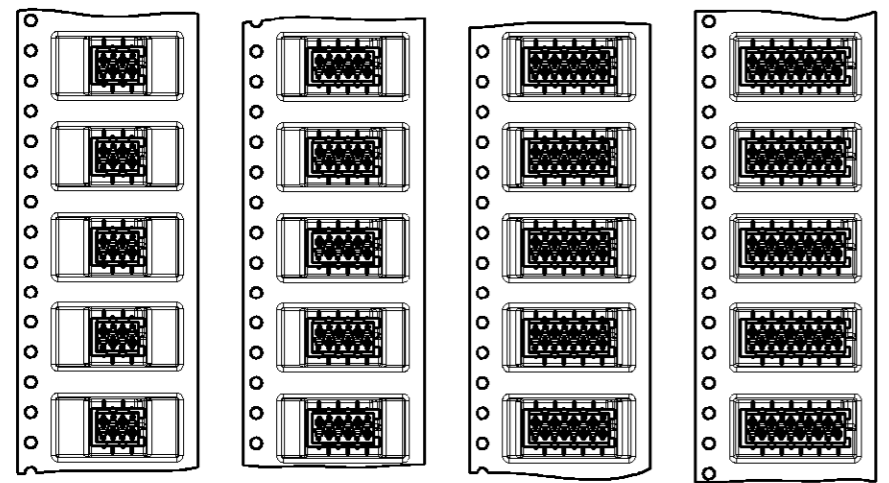
LOC	DIST	REVISIONS		DATE	APVD
H	-	LTR	SEE SHEET 1	DESCRIPTION	



7-188275-4	7-188275-6	7-188275-8	8-188275-0
4 POSITIONS	6 POSITIONS	8 POSITIONS	10 POSITIONS
0-188275-4	0-188275-6	0-188275-8	1-188275-0

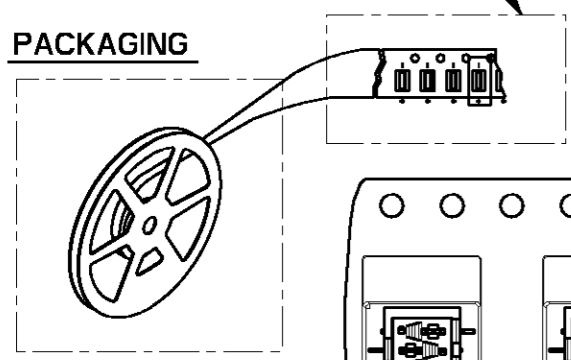


8-188275-2	8-188275-4	8-188275-6	8-188275-8	9-188275-0
12 POSITIONS	14 POSITIONS	16 POSITIONS	18 POSITIONS	20 POSITIONS
1-188275-2	1-188275-4	1-188275-6	1-188275-8	2-188275-0

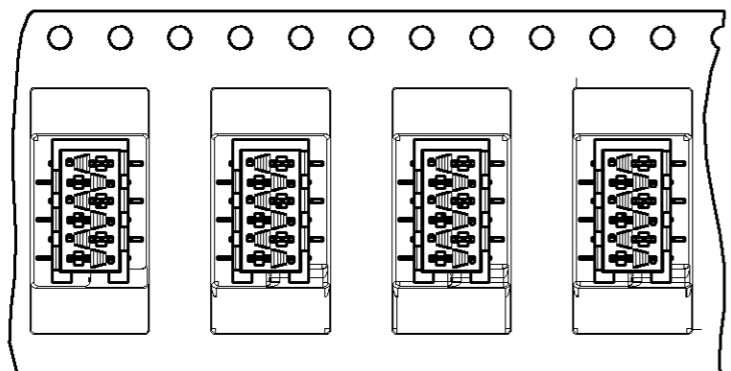


ACCORDING EIA-481/DIN IEC 286

**PACKAGING**



SCALE 2:1



THIS DRAWING IS A CONTROLLED DOCUMENT FOR Tyco Electronics Nederland B.V. IT IS SUBJECT TO CHANGE AND THE CONTROLLING ENGINEERING ORGANIZATION SHOULD BE CONTACTED FOR THE LATEST REVISION.

DIMENSIONS: mm	TOLERANCES UNLESS OTHERWISE SPECIFIED:
	0 PLC ± .
	1 PLC ± .
	2 PLC ± .
	3 PLC ± .
	4 PLC ± .
	ANGLES ± .°
MATERIAL	FINISH
-	-

DWN	M.Gosselink
CHK	-
APVD	-
PRODUCT SPEC	-
APPLICATION SPEC	-
WEIGHT	-

**AMP** Tyco Electronics Nederland B.V.  
 's-HERTOGENBOSCH, THE NETHERLANDS

NAME **MICRO-MATCH FTE SMD CONNECTOR**

SIZE	CAGE CODE	DRAWING NO
A3	00779	C-188275

CUSTOMER DRAWING SCALE 10:1 SHEET 2 OF 2 REV R