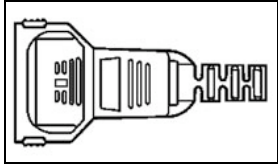


## 745002-2 Product Details



**745002-2**

TE Internal Number: 745002-2



Active

### Standard Cable Connectors

 Always EU RoHS/ELV Compliant (Statement of Compliance)

#### Product Highlights:

- Accessory
- Accessory Type = Cord Guard
- Product Series = HDJ-20
- 9 Positions
- Shell Size = 1

### Documentation & Additional Information

#### Product Drawings:

- [CORD GUARD, 9 POSN, AMPLIMITE](#) (PDF, English)

#### Catalog Pages/Data Sheets:

- None Available

#### Product Specifications:

- None Available

#### Application Specifications:

- None Available

#### Instruction Sheets:

- [AMPLIMITE\\* Cord Guard Assemblies and AMPLIMITE "Squ...](#) (PDF, English)

#### CAD Files: (CAD Format & Compression Information)

- [2D Drawing](#) (DXF, Version F)
- [3D Model](#) (IGES, Version F)
- [3D Model](#) (STEP, Version F)

#### Additional Information:

- [Product Line Information](#)

#### Additional Product Images:

- [Typical Application](#)

#### Related Products:

- [Tooling](#)

### Product Features (Please use the Product Drawing for all design activity)

#### Product Type Features:

- [Product Type](#) = Accessory
- [Accessory Type](#) = Cord Guard
- [Product Series](#) = HDJ-20
- [Shell Size](#) = 1
- [Shell Type](#) = All Plastic
- [Grade](#) = Standard
- [Color](#) = Black

#### Body Features:

- [Material](#) = Thermoplastic

#### Configuration Features:

- [Number of Positions](#) = 9

#### Industry Standards:

- [RoHS/ELV Compliance](#) = RoHS compliant, ELV compliant
- [Lead Free Solder Processes](#) = Not relevant for lead free process
- [RoHS/ELV Compliance History](#) = Always was RoHS compliant

#### Other:

- [Brand](#) = AMP
- [Comment](#) = Squeeze-to-Release

4

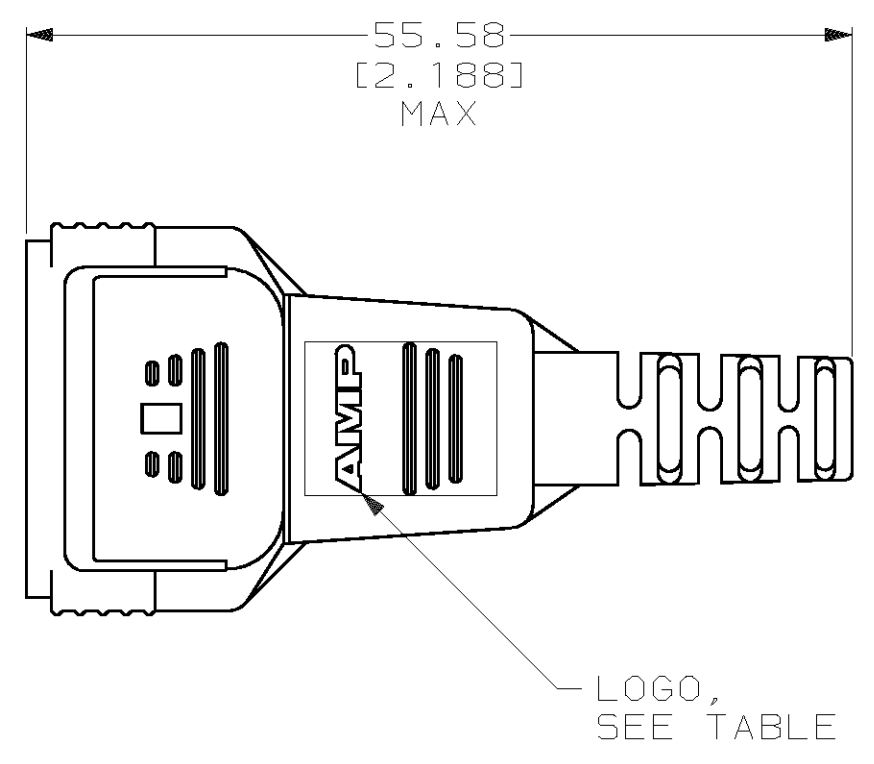
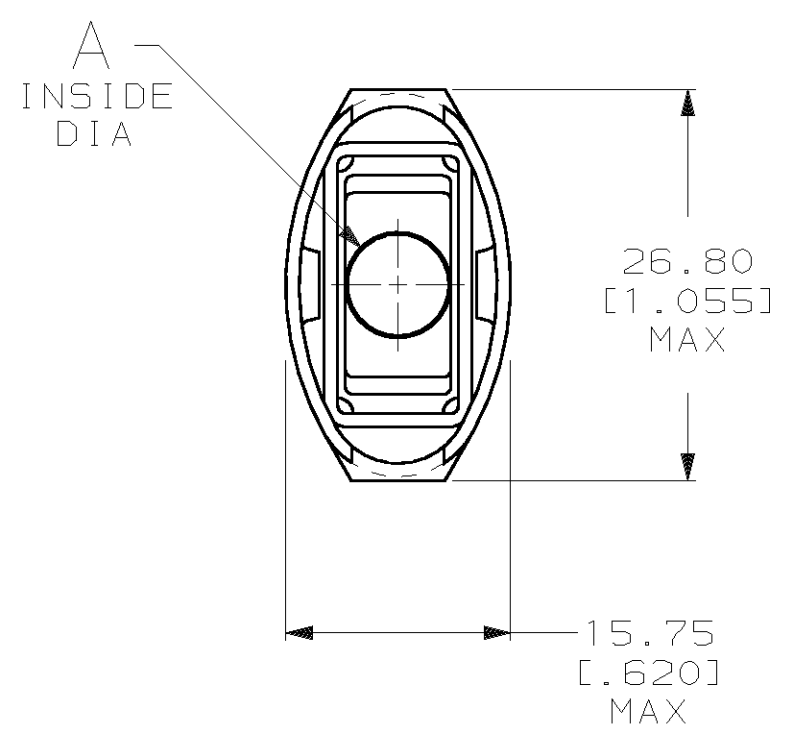
3

2

1

THIS DRAWING IS UNPUBLISHED. RELEASED FOR PUBLICATION ,19 .  
 © COPYRIGHT 19 BY AMP INCORPORATED. ALL RIGHTS RESERVED.

| LOC | DIST | REVISIONS                      |           |     |      |
|-----|------|--------------------------------|-----------|-----|------|
| P   | LTR  | DESCRIPTION                    | DATE      | DWN | APVD |
| BD  | 48   |                                |           |     |      |
|     | F    | REVISED PER<br>EC 0U1D-0260-00 | 13 SEP 01 | JR  | JG   |



|                        |             |      |             |
|------------------------|-------------|------|-------------|
| SUPERSEDED BY 745002-1 | 5.08 [.200] | YES  | 745002-3    |
|                        | 6.73 [.265] | YES  | 745002-2    |
|                        | 5.08 [.200] | NO   | 745002-1    |
|                        | A           | LOGO | PART NUMBER |

1. FOR CONTACT HOUSING, SEE DRAWING NUMBER 207752.

|   |  |                                |   |                    |
|---|--|--------------------------------|---|--------------------|
| THIS DRAWING IS A CONTROLLED DOCUMENT.  |  | DWN<br>B. CARBO<br>08 JAN 99   | AMP Incorporated<br>Harrisburg, PA 17105-3608 |                    |
| DIMENSIONS:<br>mm [INCHES]  |  | CHK<br>R. STONE<br>02 MAR 98   |   |                    |
| TOLERANCES UNLESS OTHERWISE SPECIFIED:  |  | APVD<br>R. TAYLOR<br>02 MAR 98 | NAME<br>CORD GUARD, 9 POSN,<br>AMPLIMITE™     |                    |
| 0 PLC ±-<br>1 PLC ±-<br>2 PLC ±0.13 [.005]<br>3 PLC ±-<br>4 PLC ±-<br>ANGLES ±- |  | PRODUCT SPEC<br>-              | RESTRICTED TO<br>-                            |                    |
| MATERIAL<br>THERMOPLASTIC,<br>BLACK   |  | FINISH<br>-                    | APPLICATION SPEC<br>-                         | WEIGHT<br>-        |
|   |  | CUSTOMER DRAWING               | SIZE<br>A3                                    | CAGE CODE<br>00779 |
|   |  |                                | DRAWING NO<br>C- 745002                       | SCALE<br>2:1       |
|   |  |                                | SHEET<br>1                                    | OF<br>1            |
|   |  |                                | REV<br>F                                      |                    |