

Distributed by:

JAMECO[®]
ELECTRONICS

www.Jameco.com ♦ 1-800-831-4242

The content and copyrights of the attached
material are the property of its owner.

Jameco Part Number 757361

4

3

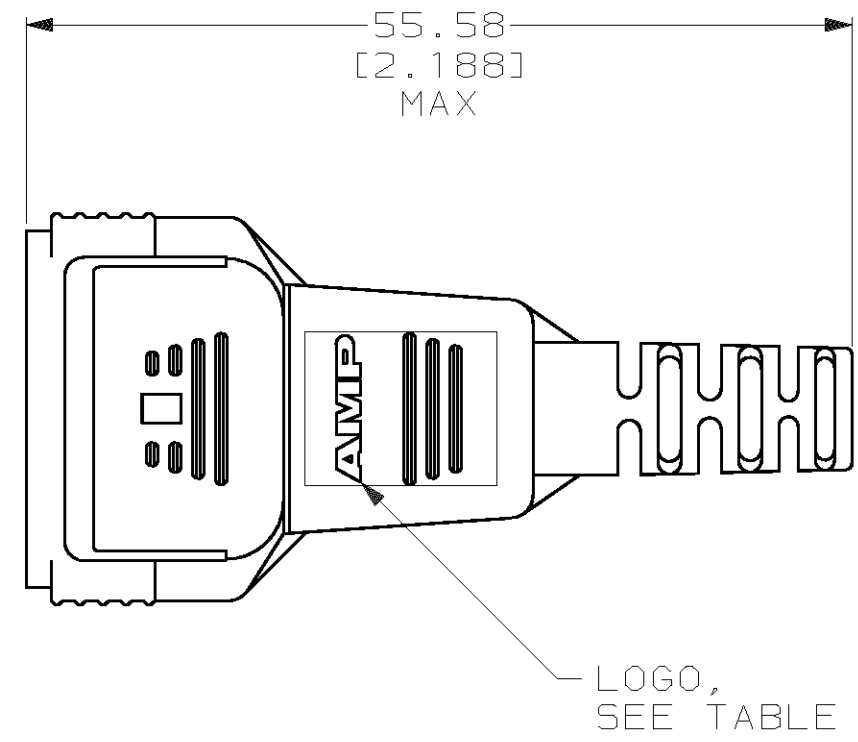
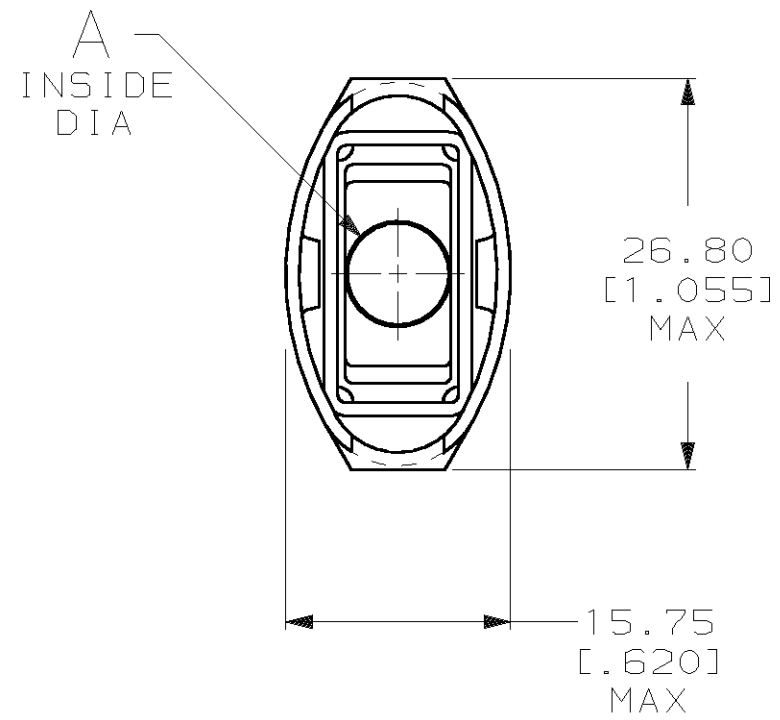
2

1

THIS DRAWING IS UNPUBLISHED. RELEASED FOR PUBLICATION, 19 .

© COPYRIGHT 19 BY AMP INCORPORATED. ALL RIGHTS RESERVED.

LOC	DIST	REVISIONS			
P	LTR	DESCRIPTION	DATE	DWN	APVD
BD	48				
	F	REVISED PER EC 0U1D-0260-00	13 SEP 01	JR	JG



SUPERSEDED BY 745002-1	5.08 [.200]	YES	745002-3
	6.73 [.265]	YES	745002-2
	5.08 [.200]	NO	745002-1
	A	LOGO	PART NUMBER

1. FOR CONTACT HOUSING, SEE DRAWING NUMBER 207752.

THIS DRAWING IS A CONTROLLED DOCUMENT.		DWN B. CARBO 08 JAN 99	AMP Incorporated Harrisburg, PA 17105-3608	
DIMENSIONS: mm [INCHES]		CHK R. STONE 02 MAR 98		
TOLERANCES UNLESS OTHERWISE SPECIFIED:		APVD R. TAYLOR 02 MAR 98	NAME CORD GUARD, 9 POSN, AMPLIMITE™	
0 PLC ±- 1 PLC ±- 2 PLC ±0.13 [.005] 3 PLC ±- 4 PLC ±- ANGLES ±-		PRODUCT SPEC -	RESTRICTED TO -	
MATERIAL THERMOPLASTIC, BLACK		FINISH -	APPLICATION SPEC -	WEIGHT -
		CUSTOMER DRAWING	SIZE A3	CAGE CODE 00779
			DRAWING NO C- 745002	SCALE 2:1
			SHEET 1	OF 1
			REV F	