

Distributed by:

JAMECO[®]
ELECTRONICS

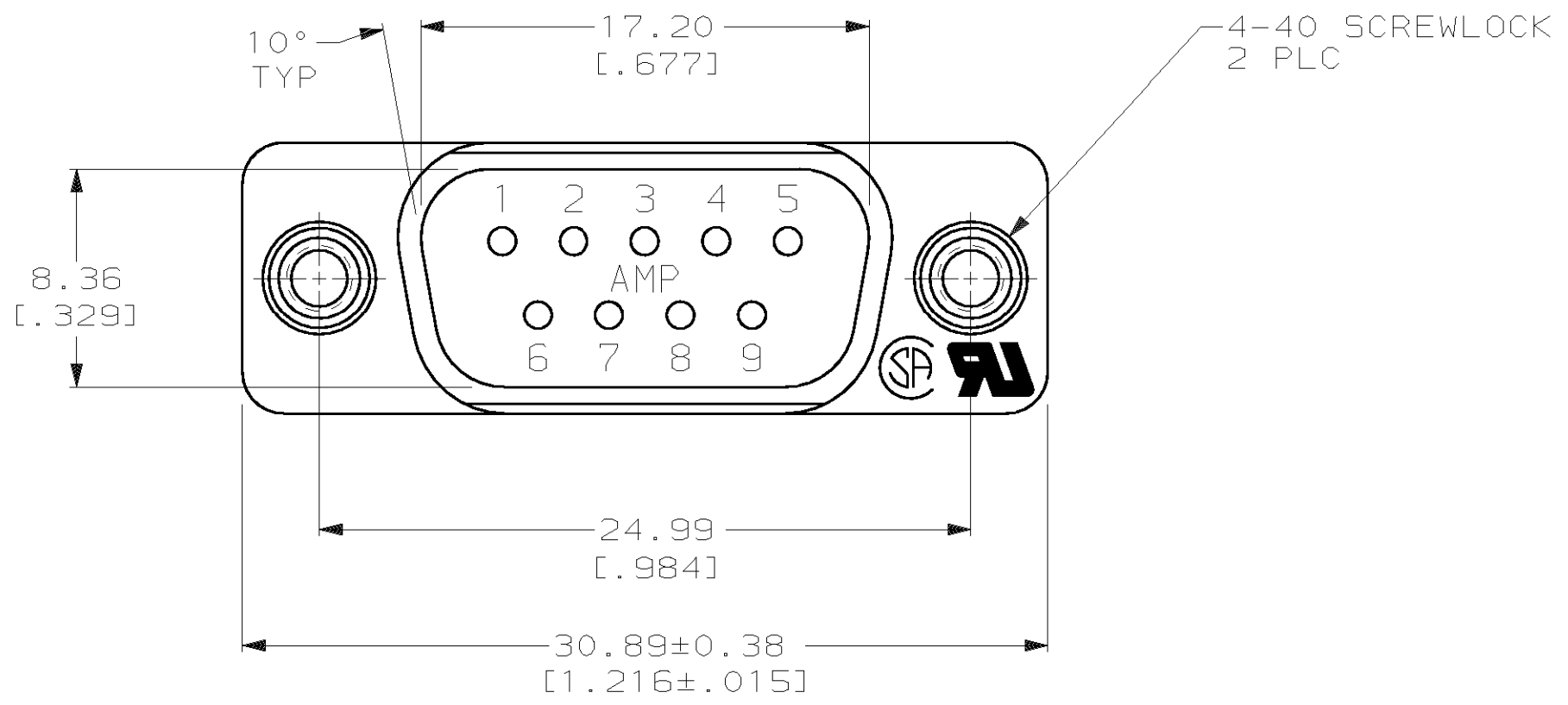
www.Jameco.com ♦ 1-800-831-4242

The content and copyrights of the attached
material are the property of its owner.

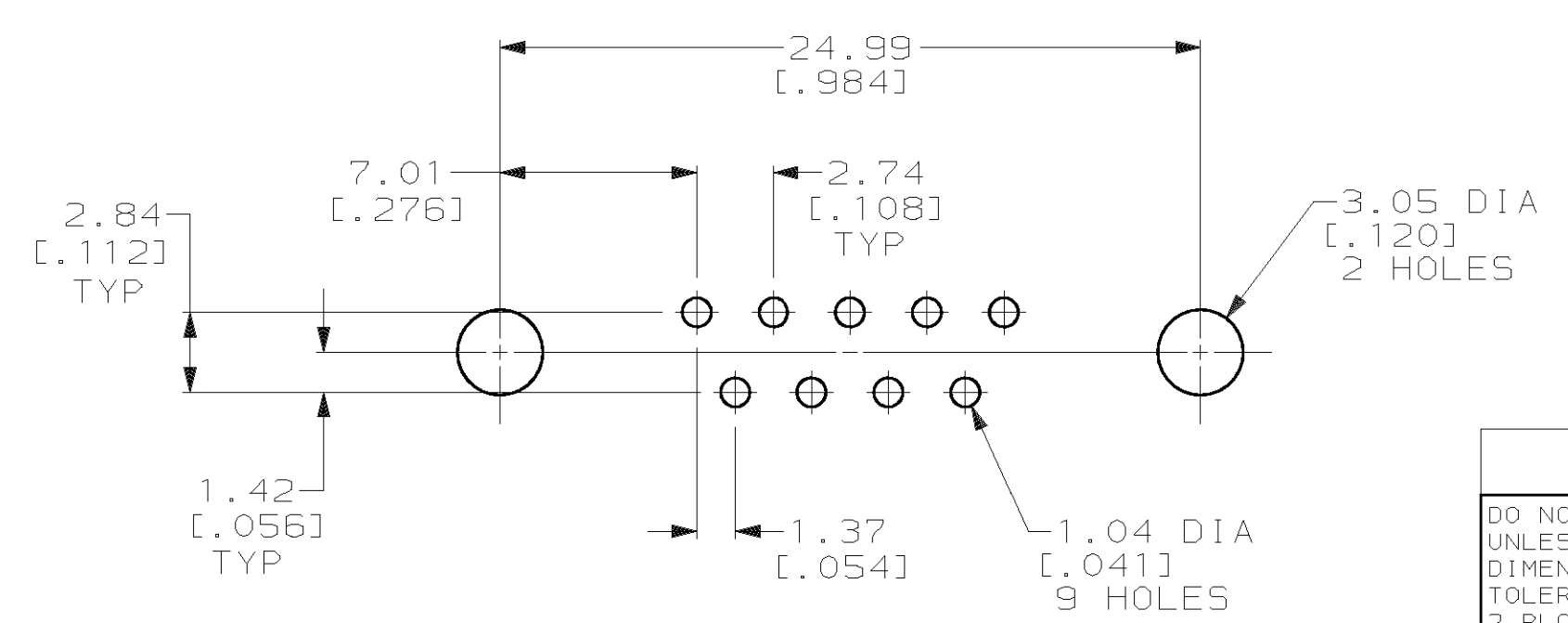
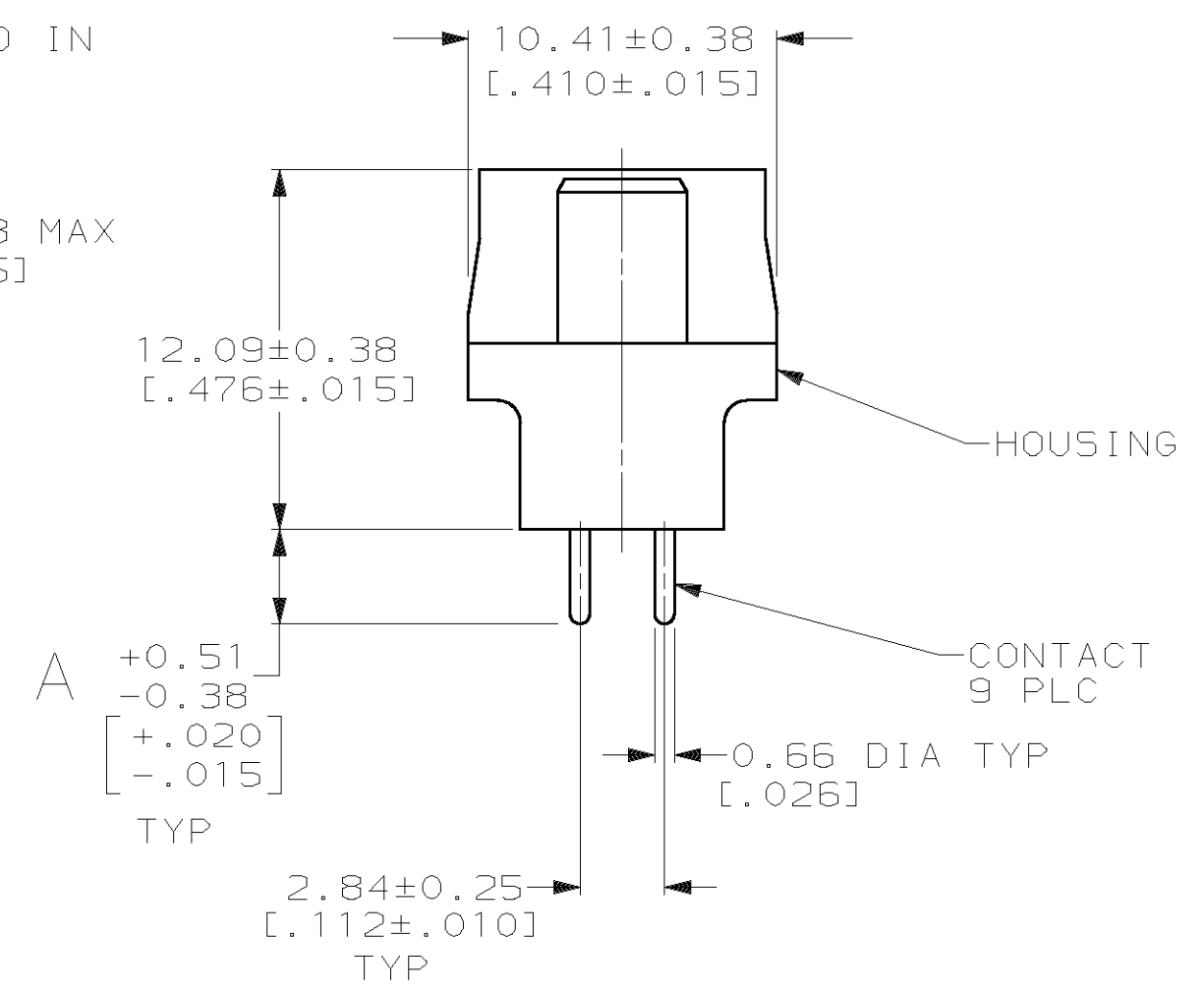
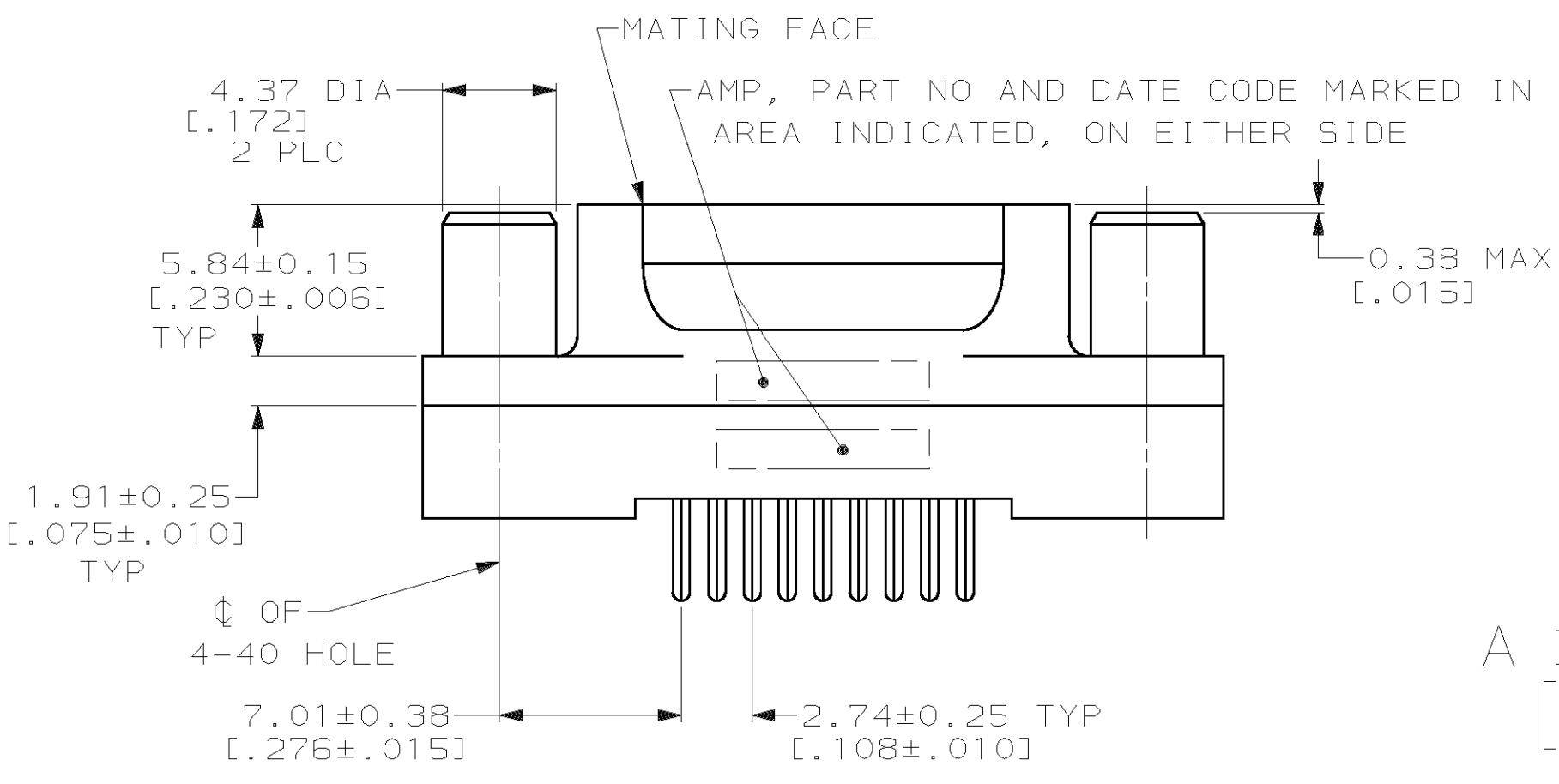
Jameco Part Number 860422

THIS DRAWING IS UNPUBLISHED. RELEASED FOR PUBLICATION
 © COPYRIGHT 19 BY AMP INCORPORATED. ALL INTERNATIONAL RIGHTS RESERVED.

LOC		DIST		P		F		REVISIONS			
ZONE	LTR	DESCRIPTION			DATE	APPD					
BD	77					C		REDRAWN & REVISED, ECN BD3361	11-89	SS	
						D		REV PER ECN BD4888	05/16/91	-	
						E		OBS 745071-5, -6 BD6038	06/09/92	CR	
						F		REV PER EC 0640-421-98	18 MAR 99	RT	
						G		OBS -3 AND REV PER EC OUID-0126-00	14 NOV 00	RF	



- ① HOUSING: BLACK POLYESTER, UL 94V-0 RATED; CONTACT: BRASS PER MIL-C-50; SREWLOCK: BRASS PER QQ-B-626.
- ② GOLD PLATING PER MIL-G-45204, TIN PLATING PER MIL-T-10727, NICKEL PLATING PER QQ-N-290, COPPER PLATING PER MIL-C-14550.
- ③ GOLD PLATED FOR A LENGTH OF 3.81 [.150] MIN FROM MATING END, GOLD FLASH IN MATED AREA, 2.54µm [.000100] MIN TIN OR TIN-LEAD FOR A LENGTH OF DIMENSION A FROM OPPOSITE END, ALL OVER 1.27µm [.000050] MIN NICKEL.
- ④ GOLD PLATED FOR A LENGTH OF 3.81 [.150] FROM MATING END, 0.76µm [.000030] MIN GOLD IN MATED AREA, 2.54µm [.000100] MIN TIN OR TIN-LEAD FOR A LENGTH OF DIMENSION A FROM OPPOSITE END, ALL OVER 1.27µm [.000050] MIN NICKEL.
- ⑤ 1.27µm [.000050] MIN NICKEL OVER COPPER FLASH.



	A	CONTACT FINISH	PART NO
OBSOLETE	6.35 [.250]	④	745071-6
OBSOLETE	6.35 [.250]	③	745071-5
	4.32 [.170]	④	745071-4
OBSOLETE	4.32 [.170]	③	745071-3
	3.18 [.125]	④	745071-2
	3.18 [.125]	③	745071-1

DO NOT SCALE PRINT. UNLESS SPECIFIED DIMENSIONS IN mm [INCHES] TOLERANCES ON: 2 PLC DEC ± 0.13 [.005] 3 PLC DEC ± - ANGLES ± 2°		DR 11-14-89 J McCLINTON		AMP INCORPORATED Harrisburg, Pa. 17105	
MATERIAL		CHK 2-1-90 R. STONE			
FINISH ②		APPD 2-2-90 S. SCHIEFERLY		NAME PLUG ASSEMBLY, SIZE 1, 9 POSN, VERTICAL, AMPLIMITE® HD-20	
CONTACT: SEE TABLE		APPD 2-2-90 C. ROHDE		SIZE C 00779	
SREWLOCK: ⑤		PRODUCT SPEC 108-40025		CAGE CODE 00779	
		APPLICATION SPEC -		DRAWING NO 745071	
		WEIGHT -		SCALE 4:1	
				SHEET 1 OF 1	