

Distributed by:

JAMECO[®]
ELECTRONICS

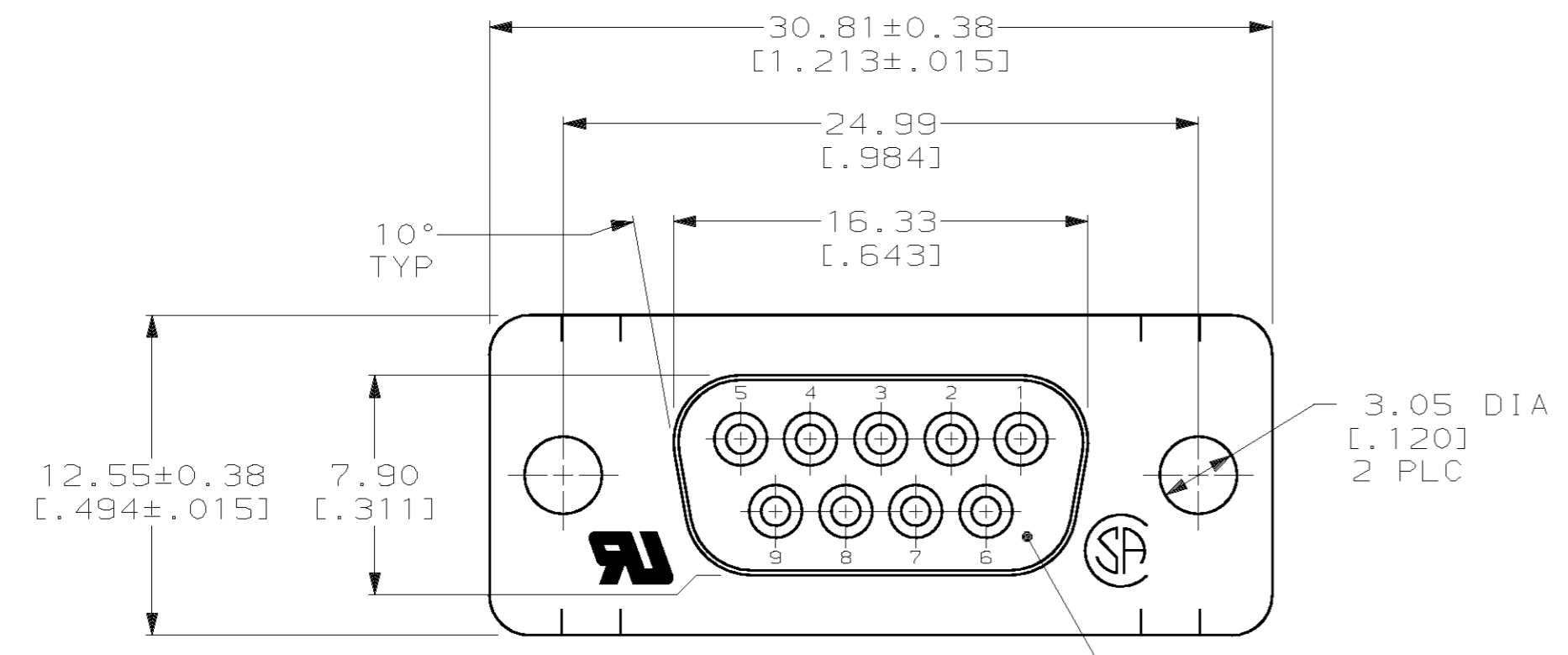
www.Jameco.com ♦ 1-800-831-4242

The content and copyrights of the attached
material are the property of its owner.

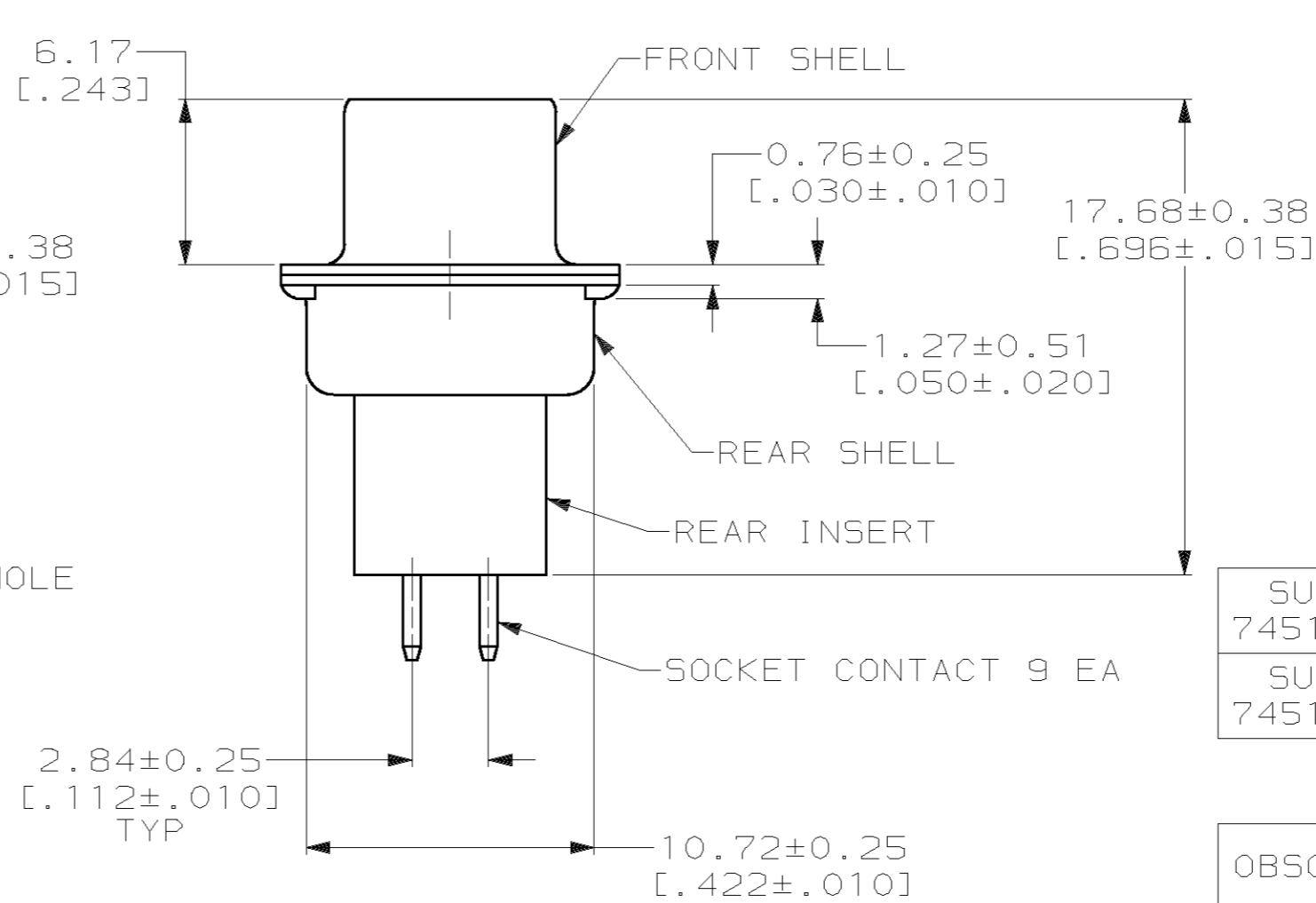
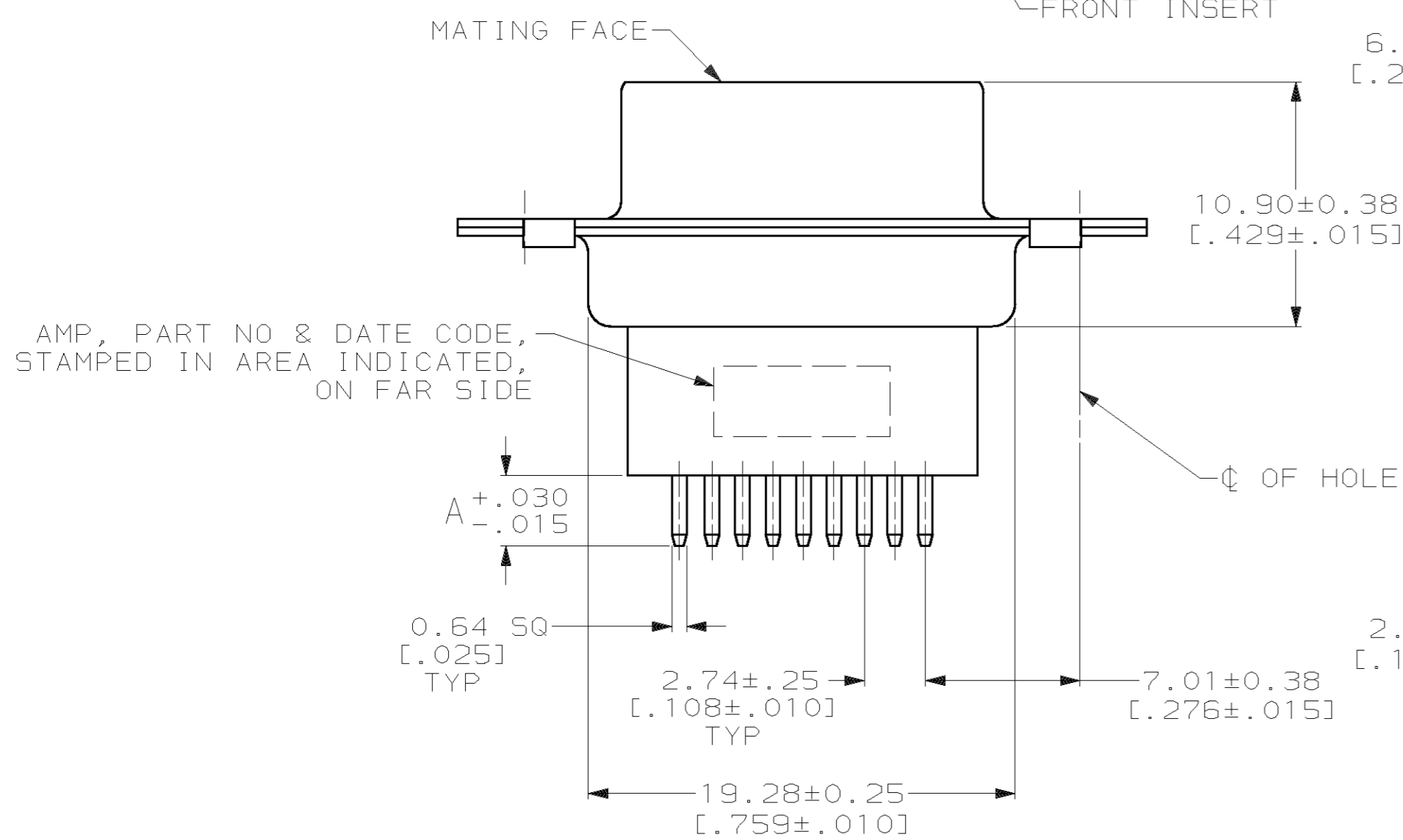
Jameco Part Number 861409

THIS DRAWING IS UNPUBLISHED. RELEASED FOR PUBLICATION .19
 (C) COPYRIGHT 19 BY AMP INCORPORATED. ALL RIGHTS RESERVED.

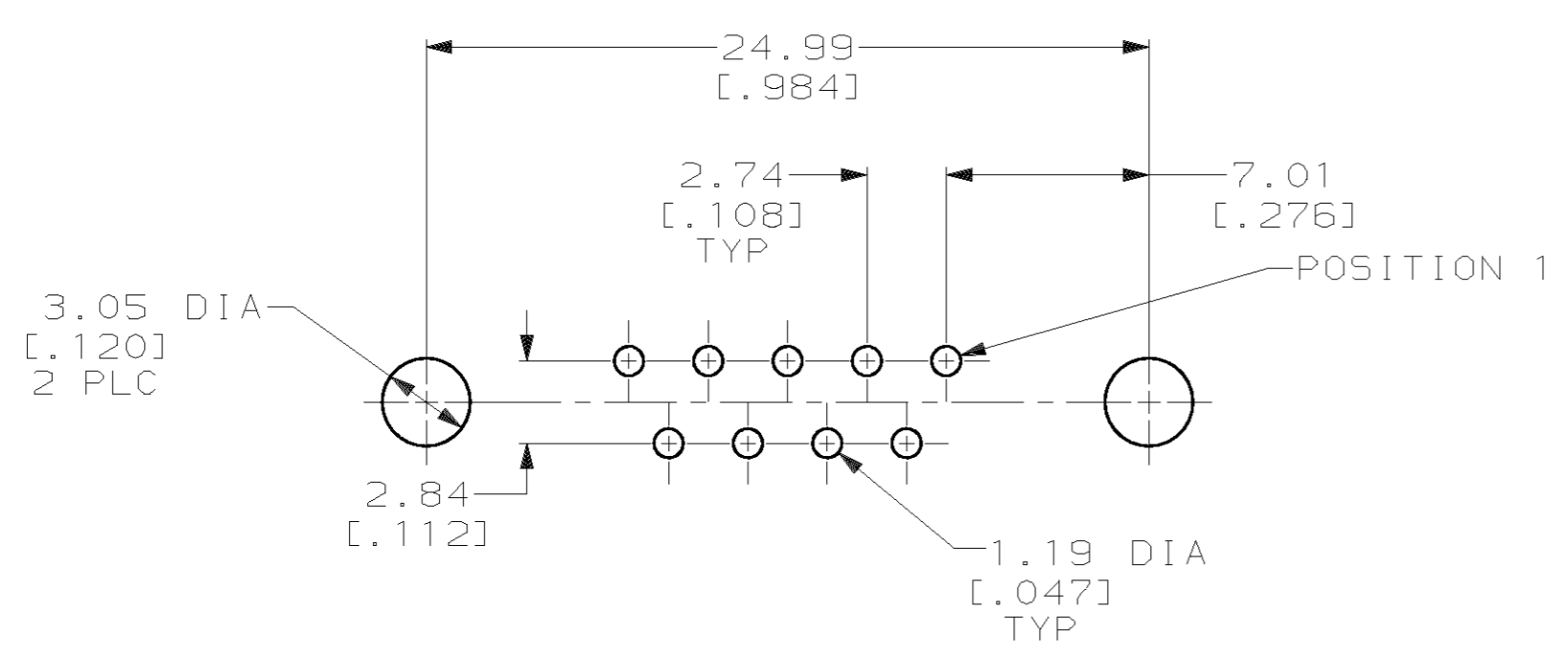
LOC		DIST		REVISIONS			
P	LTR	DESCRIPTION	DATE	DWN	APVD		
GP	00	J	REVISD PER EC 0513-0437-02	16JAN03	JG	SB	



- ① MOLDED PARTS: FLAME RETARDANT 94V-0 RATED THERMOPLASTIC; BLACK.
SHELLS: CARBON STEEL PER ASTM A109.
CONTACTS: PHOS BRONZE PER QQ-B-750.
- ② TIN PLATING PER MIL-T-10727, GOLD PLATING PER MIL-G-45204,
NICKEL PLATING PER QQ-N-290.
SHELLS: TIN PLATED.
CONTACTS: MIN GOLD (SEE TABLE) ON MATING SOLDER END, 2.54µm [.000100] MIN TIN-LEAD ON
SOLDER END, 1.27µm [.000050] MIN NICKEL ALL OVER.
- ③ BRIGHT TIN PLATING ONLY ON SHELLS (NO TIN-LEAD).



PLC	FINISH	THICKNESS	LENGTH	PART NUMBER
③		0.76µm [.000030]	4.78 [.188]	1-745183-0
SUPSD 745183-3	FLASH		8.43 [.322]	745183-9
SUPSD 745183-7	FLASH		4.78 [.188]	745183-8
		0.76µm [.000030]	4.78 [.188]	745183-7
OBSOLETE	-	-	-	745183-6
SUPSD 745183-3		0.76µm [.000030]	16.54 [.651]	745183-5
SUPSD 745183-3	FLASH		10.85 [.427]	745183-4
		0.76µm [.000030]	10.85 [.427]	745183-3
	FLASH		3.18 [.125]	745183-2
		0.76µm [.000030]	3.18 [.125]	745183-1
	GOLD FINISH	A		PART NUMBER



P.C. BOARD MOUNTING DIMENSIONS

<small>THIS DRAWING IS A CONTROLLED DOCUMENT FOR AMP INCORPORATED. IT IS SUBJECT TO CHANGE AND THE CONTROLLING ENGINEERING ORGANIZATION SHOULD BE CONTACTED FOR THE LATEST REVISION.</small>		DWN C.REIFSNYDER 03 AUG 95 CHK R.STONE 23 AUG 95 APVD R.TAYLOR 23 AUG 95	AMP AMP Incorporated Harrisburg, PA 17105-3608
DIMENSIONS: mm [INCHES]	TOLERANCES UNLESS OTHERWISE SPECIFIED: 0 PLC ± 1 PLC ± 2 PLC ±0.13 [.005] 3 PLC ± 4 PLC ± ANGLES ±2° FINISH	PRODUCT SPEC 108-40005 APPLICATION SPEC	NAME RECEPTACLE ASSY, SIZE 1, 9 POS, VERTICAL, AMPLIMITE™ HDP
MATERIAL		WEIGHT -	SIZE A2 CAGE CODE 00779 DRAWING NO C-745183
CUSTOMER DRAWING			SCALE 4:1 SHEET 1 OF 1 REV J