

Distributed by:

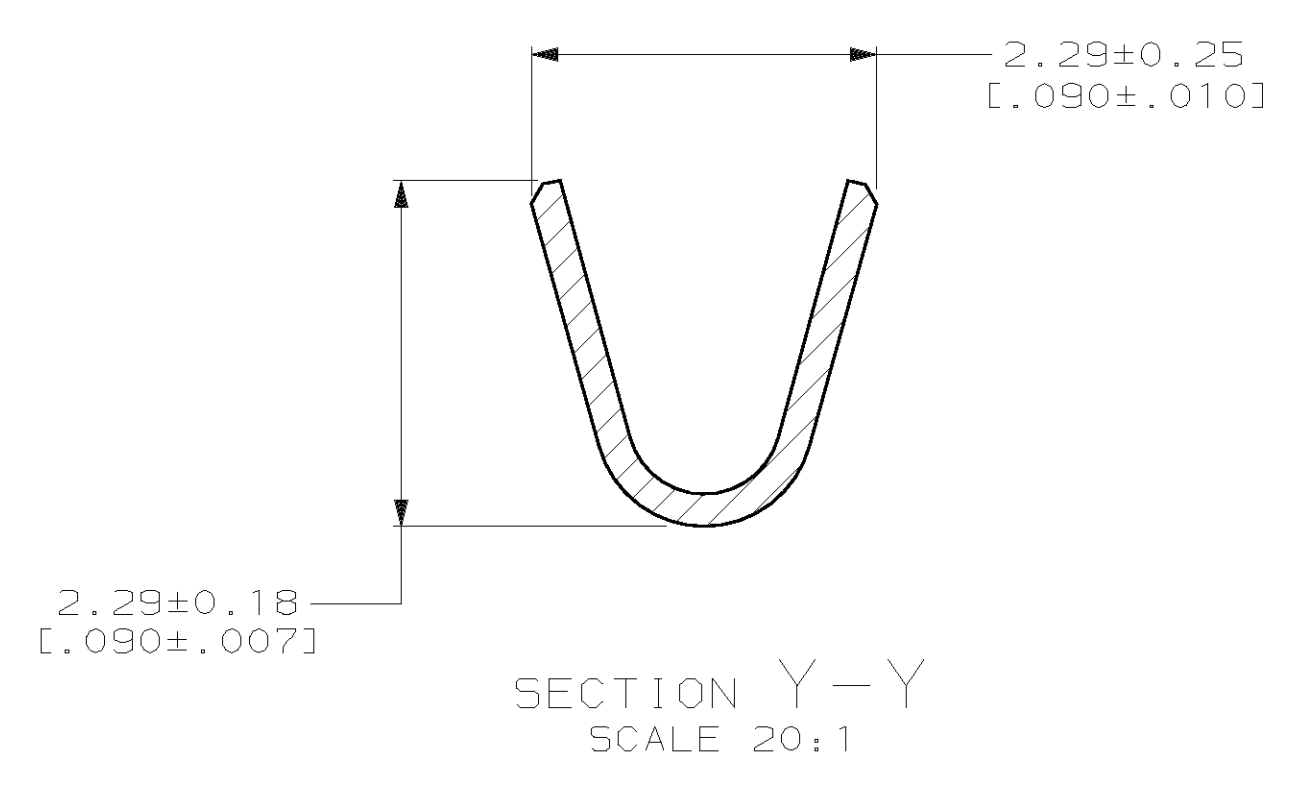
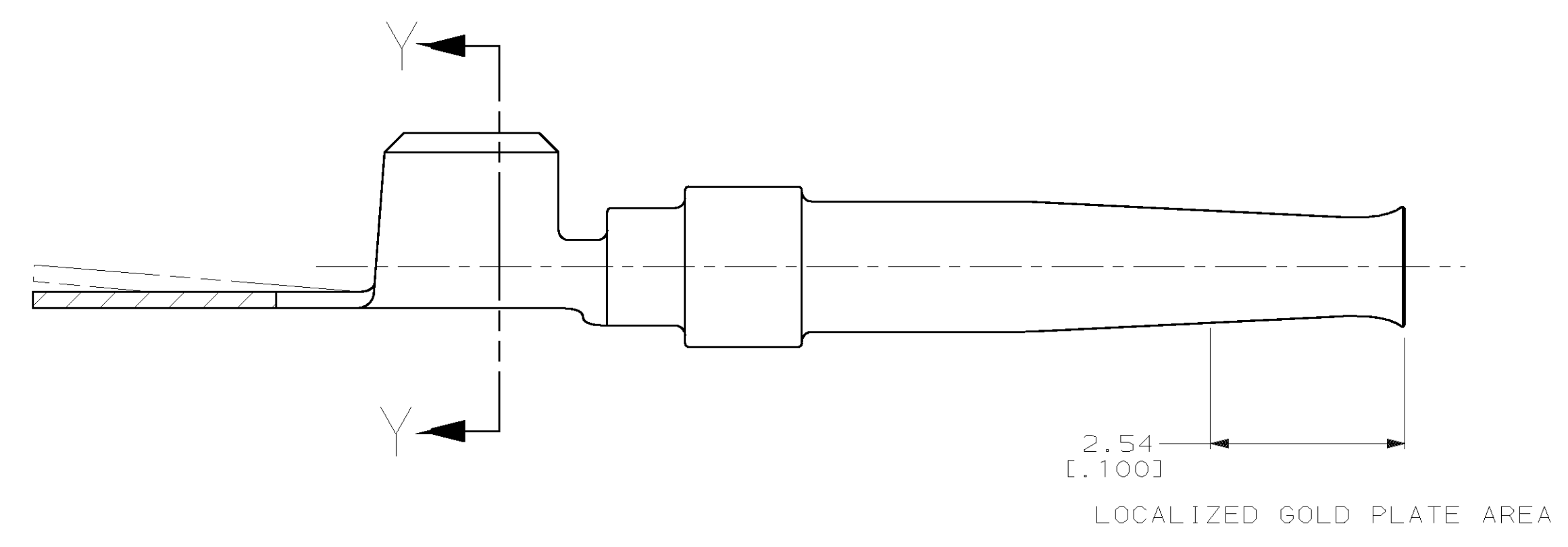
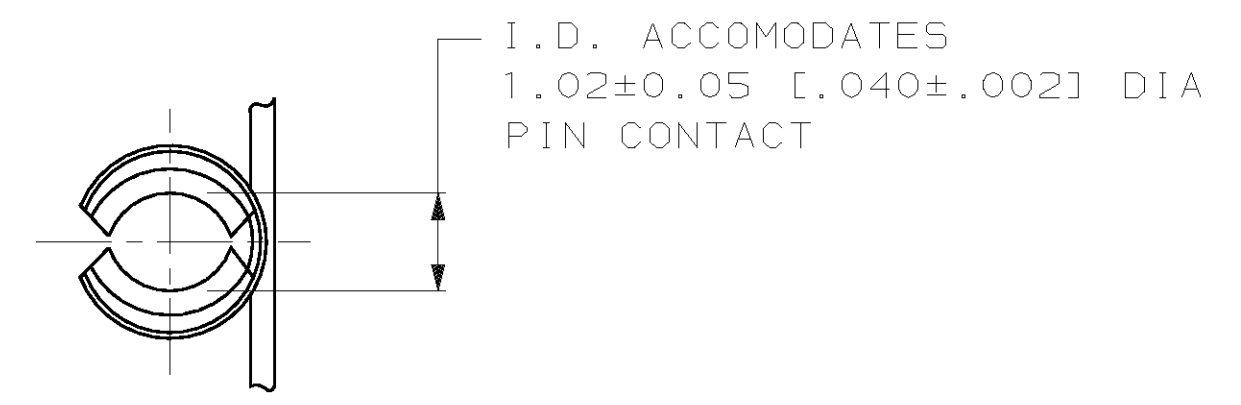
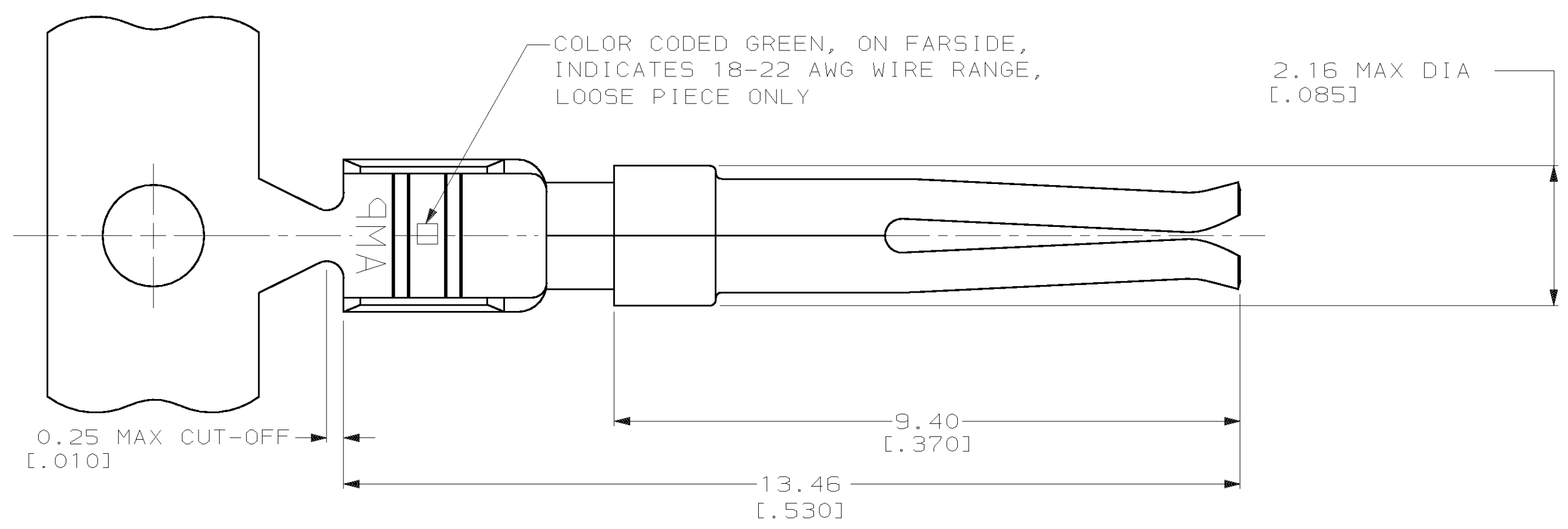
JAMECO[®]
ELECTRONICS

www.Jameco.com ♦ 1-800-831-4242

The content and copyrights of the attached
material are the property of its owner.

Jameco Part Number 861679

LOC	DIST	REV	DATE	OWN	APPV
BD	39	B	05 NOV 97	TS	SB
		C	01 MAR 99	DB	JK



- 1 FOR MINI-APPLICATOR.
- 2 0.76µm [.000030] GOLD PER MIL-G-45204 ON MATING END FOR A LENGTH OF 2.54 [.100] GOLD FLASH PER MIL-G-45204 ON REMAINDER, ALL OVER 1.27µm [.000050] NICKEL PER QQ-N-290.
- 3 PLATED GOLD FLASH PER MIL-G-45204 OVER 0.76µm [.000030] NICKEL PER QQ-N-290.
- 4 CARRIER STRIP MAY NOT BE GOLD PLATED.
- 5. MAX. INSULATION DIAMETER ALLOWABLE FOR EXTRACTING CONTACT FROM CONNECTOR WITH 91067-2 TOOL IS 1.73 [.068].
- 6 PLATED GOLD FLASH PER MIL-G-45204 ON MATING END FOR LENGTH OF 2.54 [.100] TIN PLATED WIRE BARRELS, ALL OVER 0.76µm [.000030] NICKEL PER QQ-N-290.
- 7 SELECTIVE GOLD PLATED 0.76µm [.000030] THICK PER MIL-G-45204 ON MATING END FOR LENGTH OF 2.54 [.100] TIN PLATED WIRE BARRELS, ALL OVER 1.27 [.000050] NICKEL PER QQ-N-290.
- 8 LOOSE PIECE PART NUMBERS ARE COLOR CODED.
- 9 OBSOLETE

1	1-745230-3	1-745230-1
2	1-745230-0	745230-8
3	745230-7	745230-5
4	745230-4	745230-2
FINISH	LOOSE PIECE PART NO	PART NUMBER

THIS DRAWING IS A CONTROLLED DOCUMENT.

DIMENSIONS mm (INCHES)	TOLERANCES UNLESS OTHERWISE SPECIFIED	DWN W. ZELKO 10-3-80	AMP Incorporated Harrisburg, PA 17105-3608
0 PLC ±	1 PLC ±	CHK R. BAER 11-3-80	CONTACT, SOCKET, SIZE 20 DF, 18-22 AWG
2 PLC ±0.13 (.005)	3 PLC ±	APPV R. LEHMAN 11-5-80	
4 PLC ±	ANGLES ±	PRODUCT SPEC	SIZE CAGE CODE DRAWING NO RESTRICTED TO
MATERIAL PHOS BRONZE PER 00-B-750	FINISH SEE TABLE	WEIGHT	A1 00779 745230
CUSTOMER DRAWING		SCALE 15:1	SHEET 1 OF 1 REV C