



Have a Question?
Chat with a Product Information Specialist

What can we help you find?

745967-2 Product Details

[Share](#) [Print](#) [Email](#)



745967-2

TE Internal Number: 745967-2

Active

[View 3D PDF](#)

Standard Board Mount Connectors

5 of 6 EU RoHS/ELV Compliant (Find RoHS Compliant Alternates/Statement of Compliance)

Product Highlights:

- 25 Positions
- Connector Style = Receptacle
- PCB Mounting Orientation = Vertical
- Product Series = HD 20
- Without Mating Connector Lock

[View all Features](#)

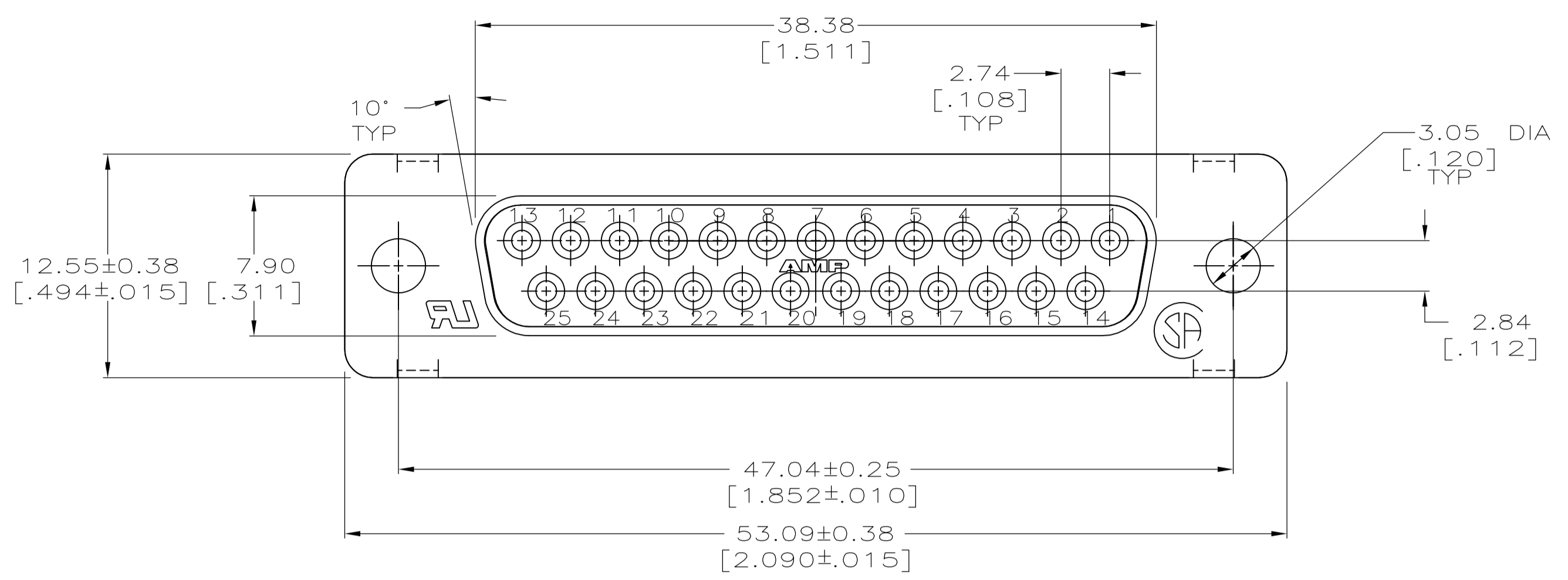
Quick Links

- ▶ [Pricing & Availability](#)
- ▶ [Search for Tooling](#)
- ▶ [View Mating Products \(9\)](#)
- ▶ [Product Feature Selector](#)
- ▶ [Contact Us About This Product](#)

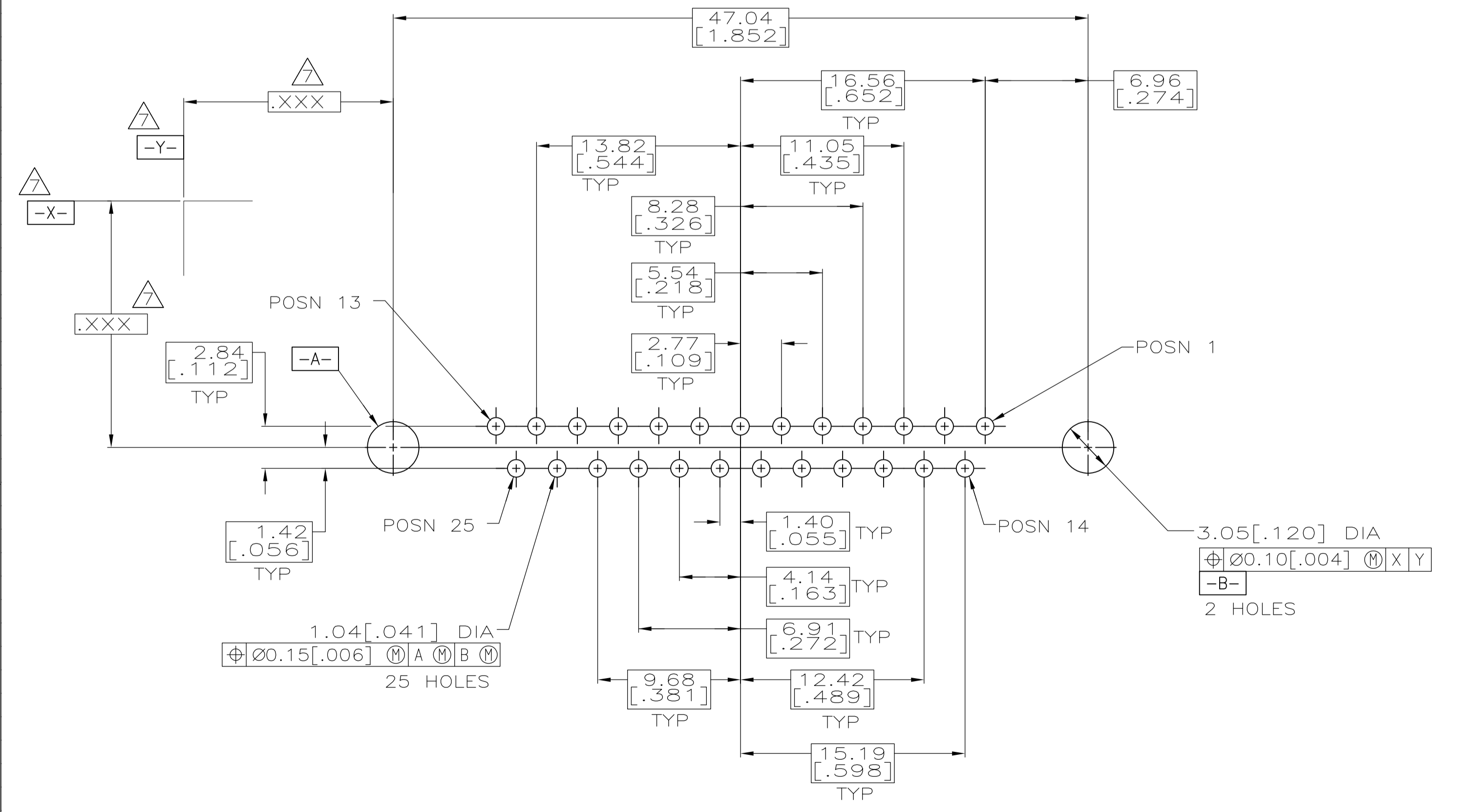
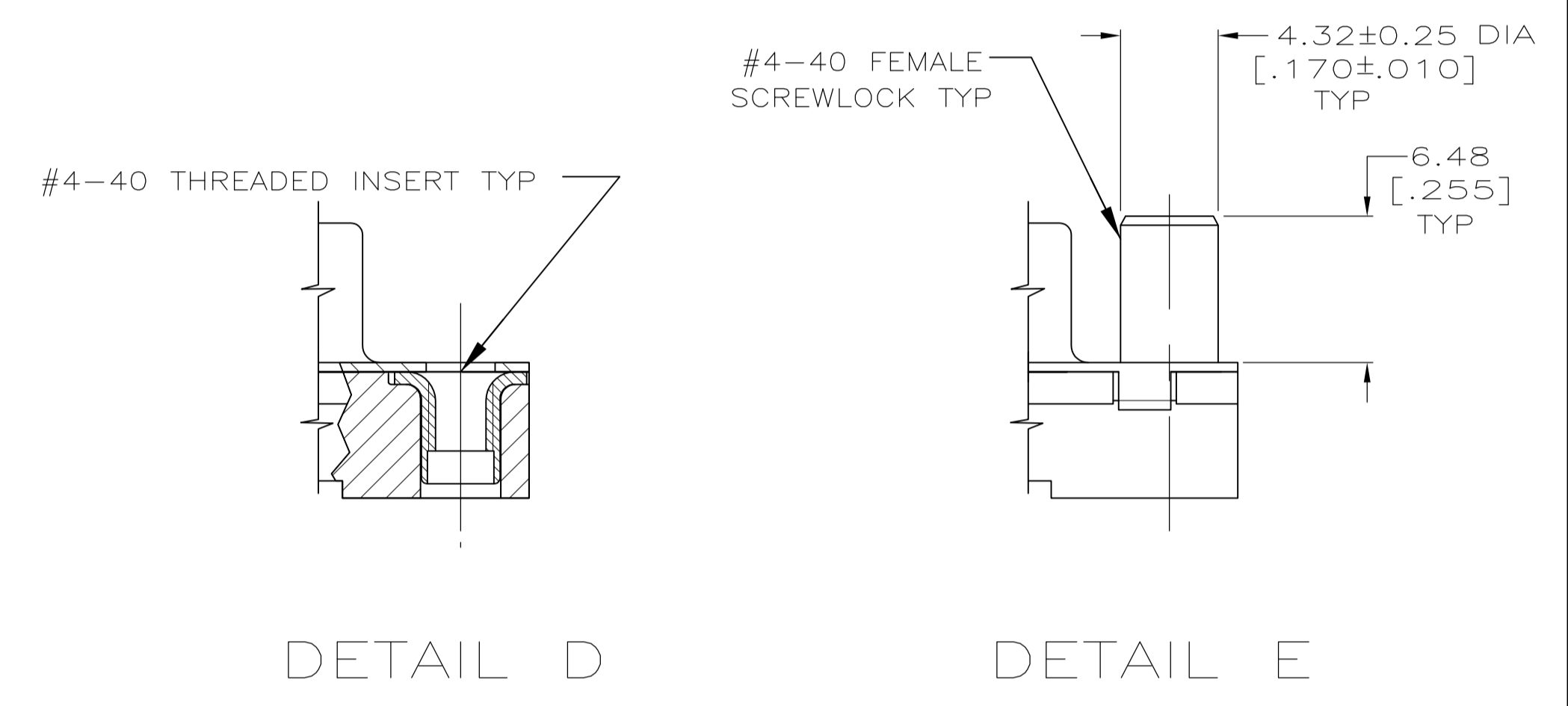
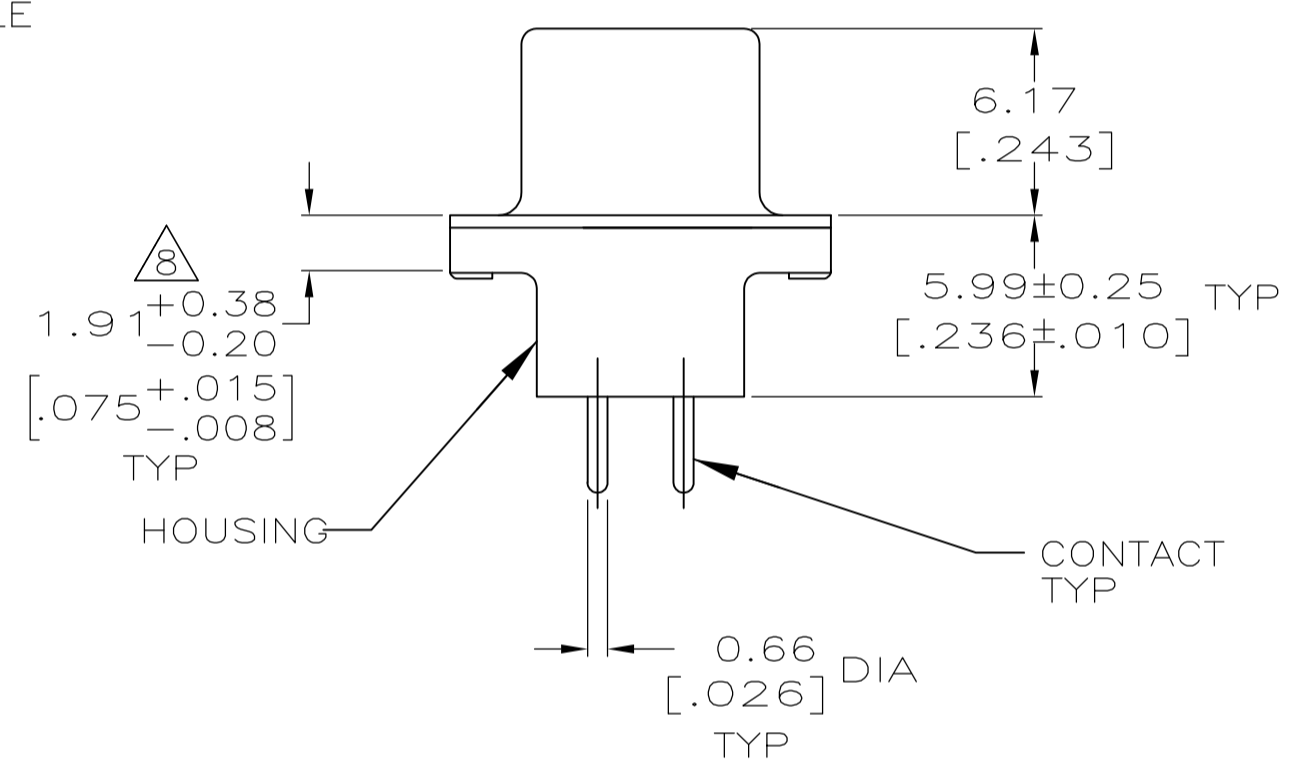
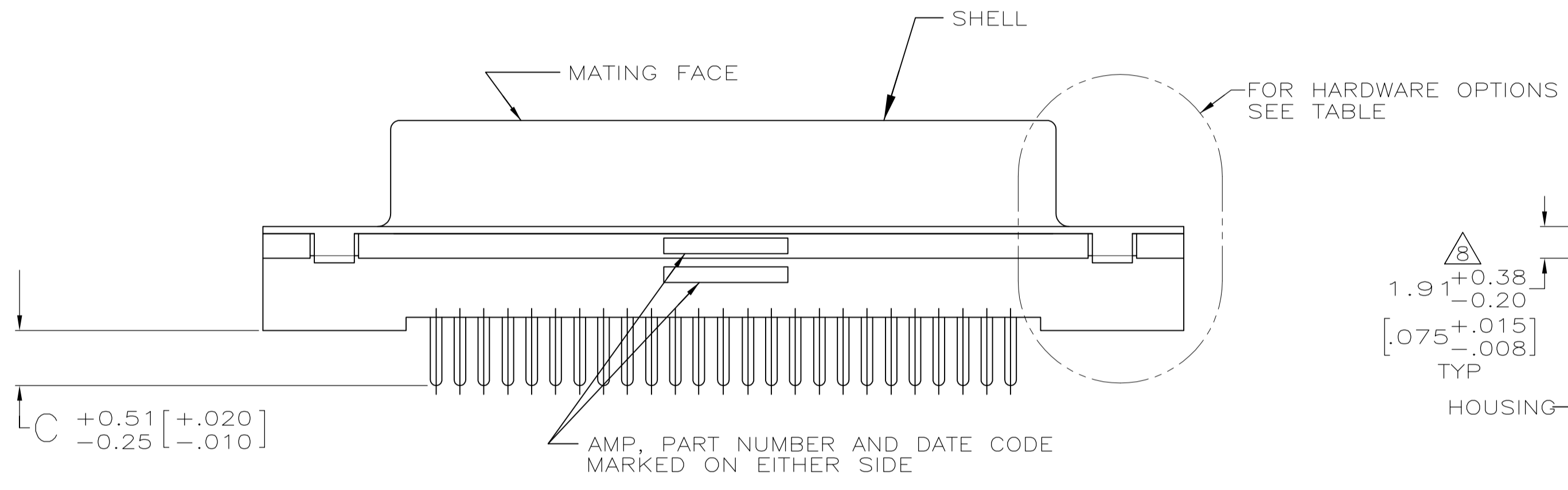
[Add to My Part List](#) [Request Sample](#) [Find Similar Products](#) [Buy Product](#)

Documentation & Additional Information	
<p>Product Drawings:</p> <ul style="list-style-type: none"> • RECEPTACLE ASSY, SIZE 3, 25 POSITION FRONT METAL SHE... (PDF, English) <p>Catalog Pages/Data Sheets:</p> <ul style="list-style-type: none"> • None Available <p>Product Specifications:</p> <ul style="list-style-type: none"> • AMPLIMITE HD-20 PCB Mounted Connector (PDF, English) <p>Application Specifications:</p> <ul style="list-style-type: none"> • AMPLIMITE HD-20 Straight Solder Contact Tine, Front ... (PDF, English) <p>Instruction Sheets:</p> <ul style="list-style-type: none"> • None Available <p>CAD Files: (CAD Format & Compression Information)</p> <ul style="list-style-type: none"> • 2D Drawing (DXF, Version N) • 3D Model (IGES, Version N) • 3D Model (STEP, Version N) 	<p>Additional Information:</p> <ul style="list-style-type: none"> • Product Line Information <p>Related Products:</p> <ul style="list-style-type: none"> • Tooling • Mating Products (9)
List all Documents	

Product Features (Please use the Product Drawing for all design activity)	
<p>Product Type Features:</p> <ul style="list-style-type: none"> • PCB Mounting Orientation = Vertical • Product Series = HD 20 • Mating Connector Lock = Without • PCB Mount Retention = With • PCB Mount Retention Type = Mounting Hole(s) • Shell Type = Front Metal Shell • Shell Size = 3 • Grounding Indents = Without • Grounding Straps = Without • PCB Mount Style = Through Hole • Color Code = None • Sealed = No • Profile = Standard • Post Size (mm [in]) = 0.66 [.026] • Mounting Hole Diameter (mm [in]) = 3.05 [.120] <p>Mechanical Attachment:</p> <ul style="list-style-type: none"> • Panel Mount Retention = Without <p>Termination Features:</p> <ul style="list-style-type: none"> • Grounding Clips = Without • Termination Post Length (mm [in]) = 3.18 [0.125] <p>Dimensions:</p> <ul style="list-style-type: none"> • PCB Thickness, Recommended (in [mm]) = 0.062 - 0.093 [1.57 - 2.36] 	<p>Body Features:</p> <ul style="list-style-type: none"> • Shell Material = Steel • Shell Plating = Tin <p>Contact Features:</p> <ul style="list-style-type: none"> • Contact Plating, Mating Area, Material = Gold (30) • Solder Tail Contact Plating = Tin-Lead over Nickel • Contact Shape = Round • Contact Base Material = Phosphor Bronze <p>Housing Features:</p> <ul style="list-style-type: none"> • Connector Style = Receptacle • UL Flammability Rating = UL 94V-0 • Housing Material = Thermoplastic - GF <p>Configuration Features:</p> <ul style="list-style-type: none"> • Number of Positions = 25 <p>Industry Standards:</p> <ul style="list-style-type: none"> • RoHS/ELV Compliance = ELV compliant, 5 of 6 Compliant • Lead Free Solder Processes = Wave solder capable to 260°C, Wave solder capable to 240°C, Wave solder capable to 265°C <p>Operation/Application:</p> <ul style="list-style-type: none"> • Application = Standard <p>Other:</p> <ul style="list-style-type: none"> • Brand = AMP • Comment = All receptacles are preloaded with size 20 DF



- △ HOUSING; POLYESTER, UL 94V-0 RATED, BLACK.
- △ SHELL; CARBON STEEL.
- △ SHELL; 5.08um [.000200] MIN TIN OVER 2.54um [.000100] MIN COPPER.
- △ GOLD FLASH FOR A LENGTH OF 2.54[.100] MIN FROM MATING END, 2.54um [.000100] MIN TIN OR TIN-LEAD ON OPPOSITE END, BOTH OVER 1.27um [.000050] MIN NICKEL.
- △ 0.76um [.000030] MIN GOLD FOR A LENGTH OF 2.54 [.100] MIN FROM MATING END, 2.54um [.000100] MIN TIN OR TIN-LEAD ON OPPOSITE END, BOTH OVER 1.27um [.000050] MIN NICKEL.
- 6. NOTE DELETED.
- △ DATUMS AND BASIC DIMENSIONS ESTABLISHED BY CUSTOMER.
- △ 2.79[.110] MAX IN SHELL TAB CLINCH AREAS.
- △ OBSOLETE PART NUMBER.
- △ 10 SUPERSEDED BY 745967-2.
- △ 11 SUPERSEDED BY 745967-4.
- △ 12 SUPERSEDED BY 1-745967-4.
- △ 13 SUPERSEDED BY 745967-7.
- △ 14 CONTACTS: POSPHOR BRONZE.
- △ 15 SCREWLOCKS: ZINC.
- △ 16 INSERTS: BRASS.



W/THEADED INSERTS PER DETAIL D	△ 5	1.27 [.050]	△ 9 1-745967-9
W/FEMALE SCREWLOCKS PER DETAIL E	△ 5	4.32 [.170]	△ 9 1-745967-6
	△ 4	4.32 [.170]	△ 9 1-745967-5
	△ 5	3.18 [.125]	1-745967-4
W/THEADED INSERTS PER DETAIL D	△ 4	3.18 [.125]	1-745967-3
	△ 4	6.35 [.250]	△ 9 1-745967-1
	△ 5	4.32 [.170]	1-745967-0
	△ 4	3.18 [.125]	745967-9
W/O FEMALE SCREWLOCKS OR THEADED INSERTS AS SHOWN	△ 5	3.18 [.125]	745967-8
	△ 4	3.18 [.125]	745967-7
	△ 5	6.35 [.250]	△ 9 745967-6
	△ 5	4.32 [.170]	745967-4
HARDWARE OPTIONS	△ 4	4.32 [.170]	△ 11 745967-3
	△ 5	3.18 [.125]	745967-2
	△ 4	3.18 [.125]	△ 10 745967-1
FINISH	C		PART NO

RECOMMENDED PC BOARD MOUNTING DIMENSIONS

THIS DRAWING IS A CONTROLLED DOCUMENT. **STE** TE Connectivity

DIMENSIONS: mm [INCHES]	TOLERANCES UNLESS OTHERWISE SPECIFIED:	DIN D BROCKWAY 3-22-93	APVD R STONE 5-10-93
0 PLC ± -	1 PLC ± -	PRODUCT SPEC 108-40025	NAME
2 PLC ± .013 [.005]	3 PLC ± -	APPLICATION SPEC 114-40023	SIZE
4 PLC ± -	ANGLES ± -	WEIGHT	SCALE 4:1
MATERIAL	FINISH	RESTRICTED TO	SHEET 1 OF 1
CONTACTS: SEE TABLE		CUSTOMER DRAWING	REV R1