

Distributed by:

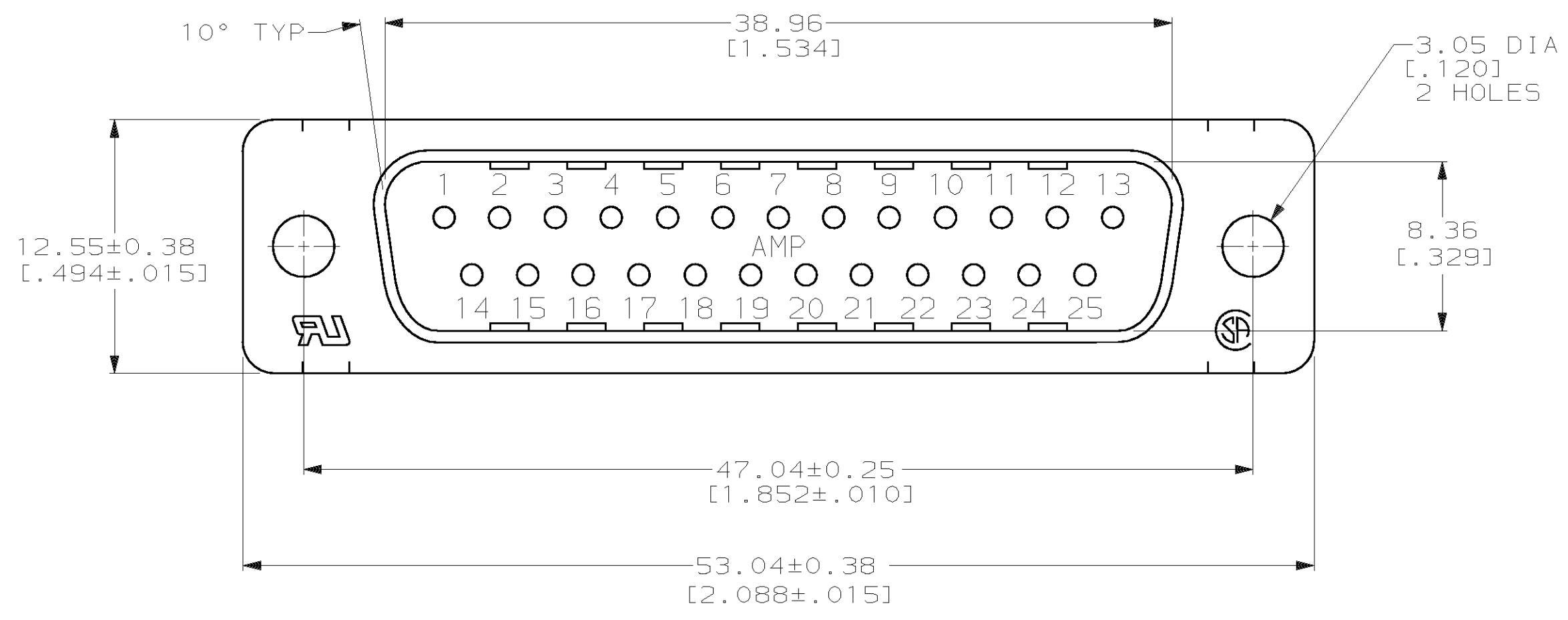
**JAMECO**<sup>®</sup>  
ELECTRONICS

**www.Jameco.com ♦ 1-800-831-4242**

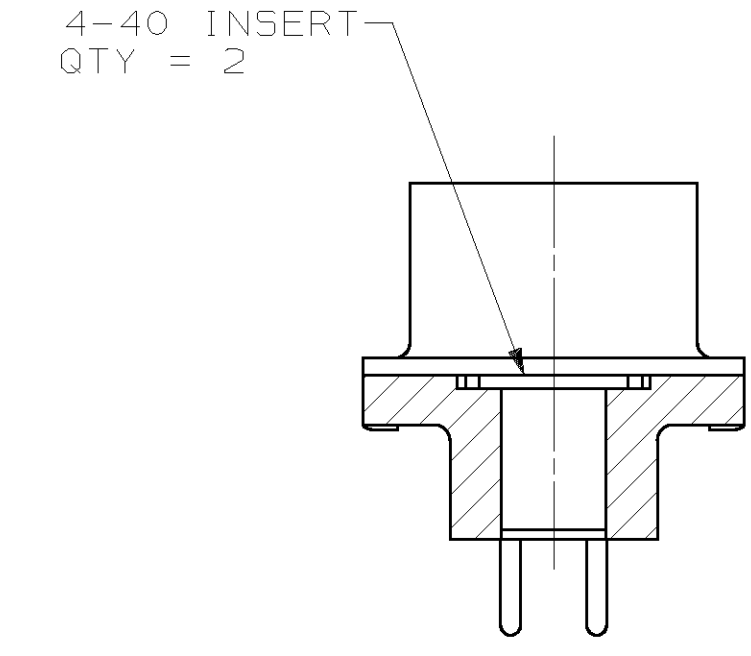
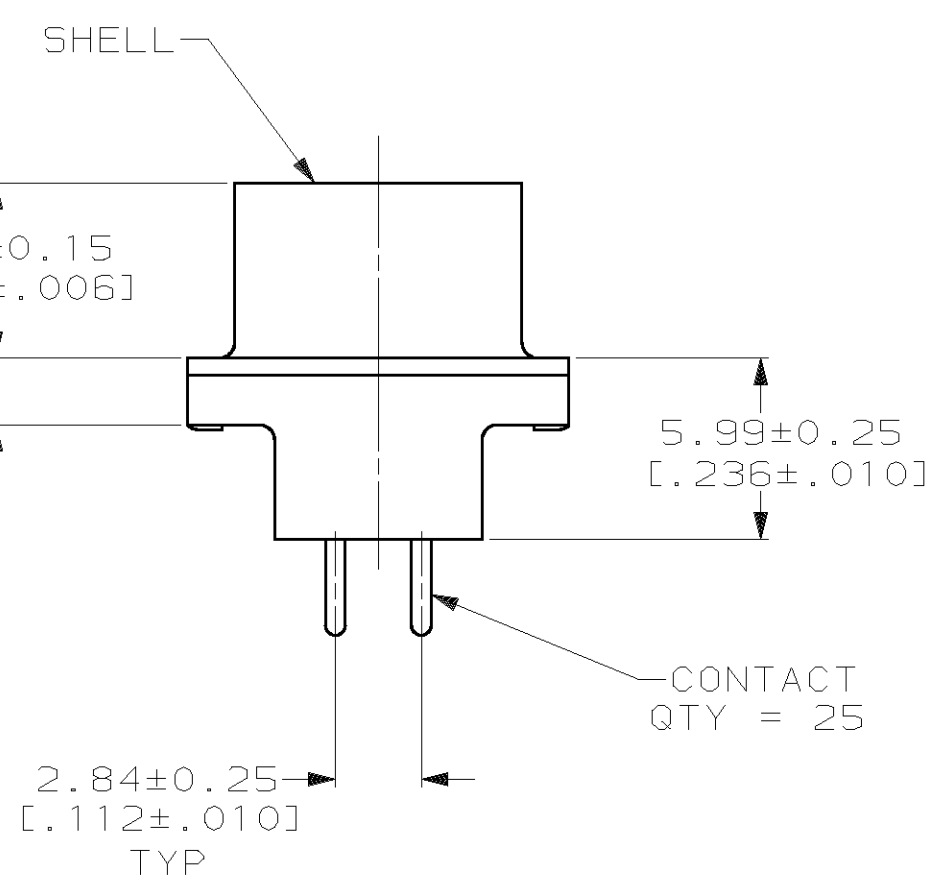
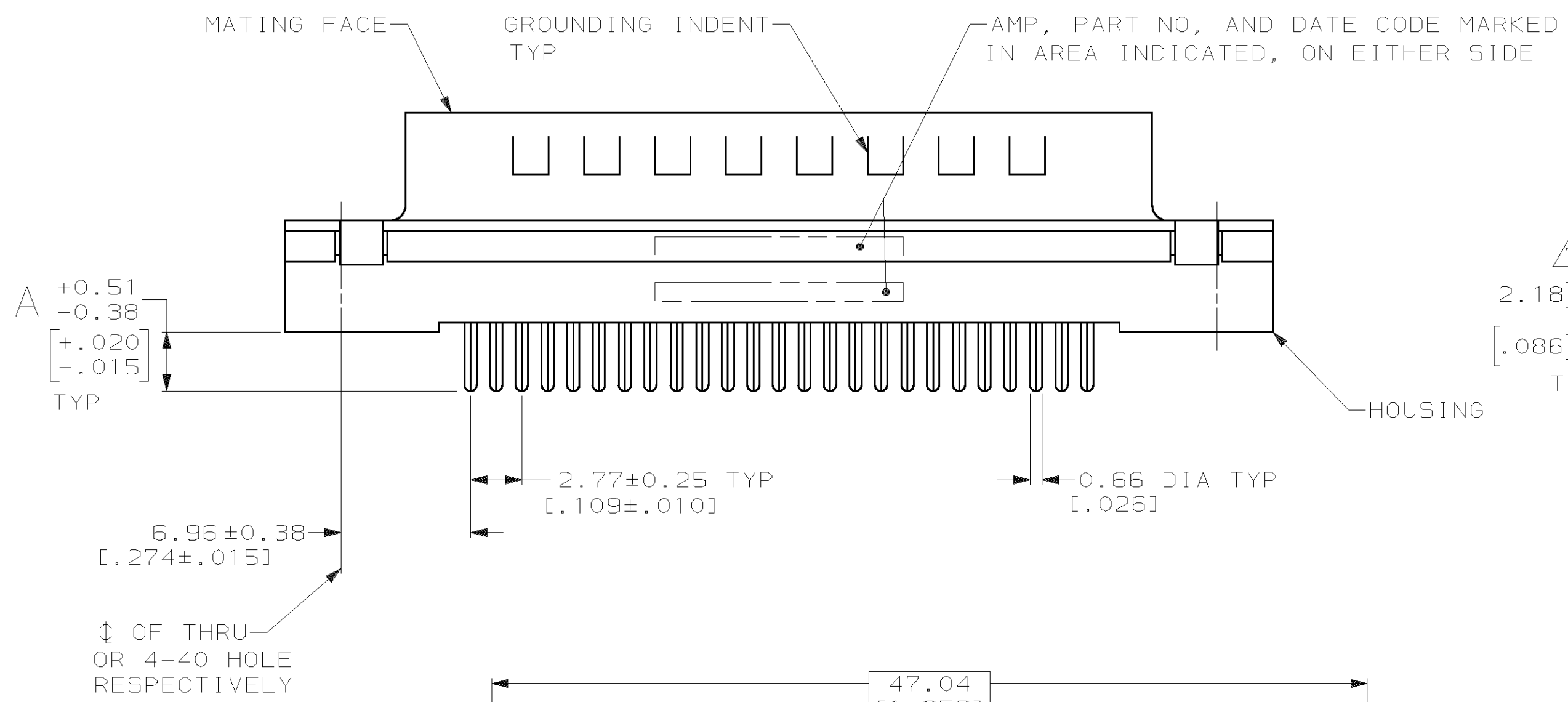
The content and copyrights of the attached  
material are the property of its owner.

Jameco Part Number 862971

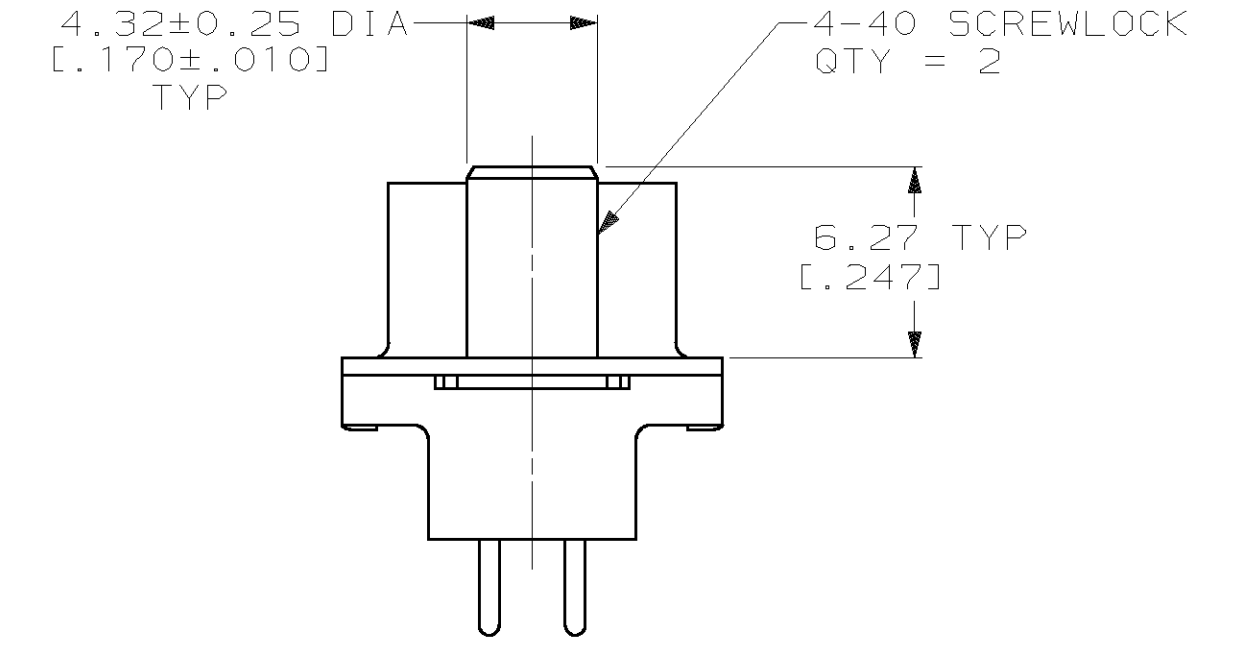
LOC		DIST		P		F		ZONE		LTR		REVISIONS			
GP	00											DESCRIPTION	DATE	APPD	
												L	REVISED PER EC 0513-0460-02	07MAR03	JG



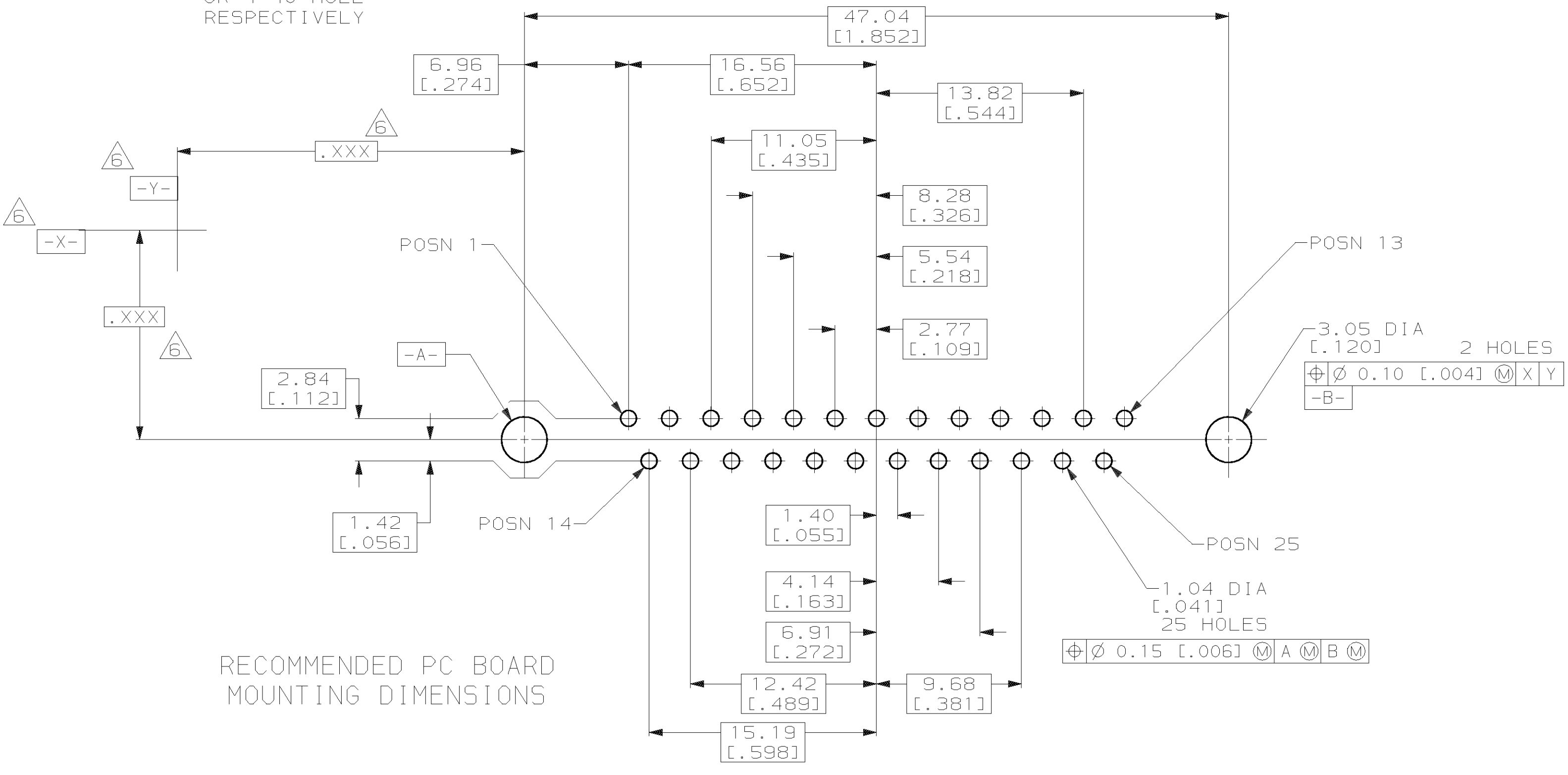
- ① HOUSING: BLACK POLYESTER, UL 94V-0 RATED; CONTACT: BRASS PER MIL-C-50, SHELL: CARBON STEEL PER ASTM A109; SCREWLOCK: ZINC; INSERT: BRASS.
- ② GOLD PLATING PER MIL-G-45204, TIN PLATING PER MIL-T-10727, NICKEL PLATING PER QQ-N-290, COPPER PLATING PER MIL-C-14550.
- ③ GOLD PLATED FOR A LENGTH OF 3.81 [0.150] MIN FROM MATING END, GOLD FLASH IN MATED AREA, 2.54µm [0.000100] MIN TIN OR TIN-LEAD FOR A LENGTH OF DIMENSION A FROM OPPOSITE END, ALL OVER 1.27µm [0.00050] MIN NICKEL.
- ④ GOLD PLATED FOR A LENGTH OF 3.81 [0.150] FROM MATING END, 0.76µm [0.00030] MIN GOLD IN MATED AREA, 2.54µm [0.000100] MIN TIN OR TIN-LEAD FOR A LENGTH OF DIMENSION A FROM OPPOSITE END, ALL OVER 1.27µm [0.00050] MIN NICKEL.
- ⑤ 5.08µm [0.000200] MIN TIN OVER 1.27µm [0.00050] MIN COPPER.
- ⑥ DATUMS AND BASIC DIMENSIONS ESTABLISHED BY CUSTOMER.
- ⑦ 2.79 [0.110] MAX IN SHELL TAB CLINCH AREAS.



DETAIL D



DETAIL E



	A	MOUNTING HARDWARE	CONTACT FINISH	PART NO
OBSOLETE	6.35 [0.250]	4-40 SCREWLOCK (DETAIL E)	④	1-745968-8
	6.35 [0.250]	4-40 SCREWLOCK (DETAIL E)	③	1-745968-7
OBSOLETE	4.32 [0.170]	4-40 SCREWLOCK (DETAIL E)	④	1-745968-6
	4.32 [0.170]	4-40 SCREWLOCK (DETAIL E)	③	1-745968-5
	3.18 [0.125]	4-40 SCREWLOCK (DETAIL E)	④	1-745968-4
	3.18 [0.125]	4-40 SCREWLOCK (DETAIL E)	③	1-745968-3
	6.35 [0.250]	4-40 INSERT (DETAIL D)	④	1-745968-2
OBSOLETE	6.35 [0.250]	4-40 INSERT (DETAIL D)	③	1-745968-1
	4.32 [0.170]	4-40 INSERT (DETAIL D)	④	1-745968-0
	4.32 [0.170]	4-40 INSERT (DETAIL D)	③	745968-9
	3.18 [0.125]	4-40 INSERT (DETAIL D)	④	745968-8
OBSOLETE	3.18 [0.125]	4-40 INSERT (DETAIL D)	③	745968-7
	6.35 [0.250]	-	④	745968-6
	6.35 [0.250]	-	③	745968-5
	4.32 [0.170]	-	④	745968-4
SUPERSEDED BY 745968-4	4.32 [0.170]	-	③	745968-3
SUPERSEDED BY 745968-2	3.18 [0.125]	-	④	745968-2
	3.18 [0.125]	-	③	745968-1

DO NOT SCALE PRINT. UNLESS SPECIFIED DIMENSIONS IN mm [INCHES] TOLERANCES ON: 2 PLC DEC ± 0.13 [0.005] 3 PLC DEC ± - ANGLES ± 2°	DR 12/01/89 J. McCLINTON CHK 02/01/90 R. STONE APPD 02/02/90 S. SCHIEFERLY APPD 02/02/90 C. RÖHDE	AMP INCORPORATED Harrisburg, Pa. 17105		
MATERIAL ①	PRODUCT SPEC 108-40025	NAME PLUG ASSEMBLY, SIZE 3, 25 POSITION, VERTICAL, FRONT METAL SHELL, AMPLIMITE® HD-20		
FINISH ② CONTACT: SEE TABLE SHELL: ③	APPLICATION SPEC 114-40023	SIZE D	CAGE CODE 00779	DRAWING NO 745968
	WEIGHT	SCALE 4:1	SHEET 1 OF 1	