

Distributed by:

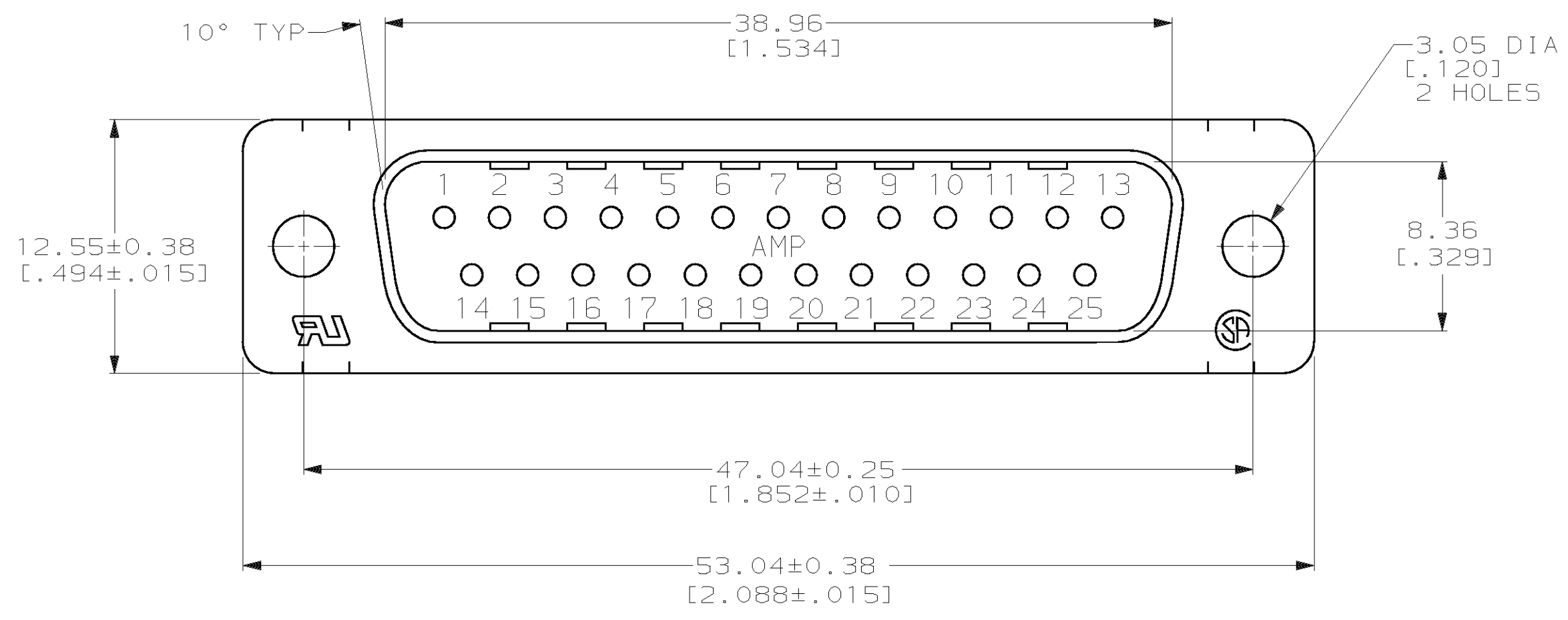
JAMECO[®]
ELECTRONICS

www.Jameco.com ♦ 1-800-831-4242

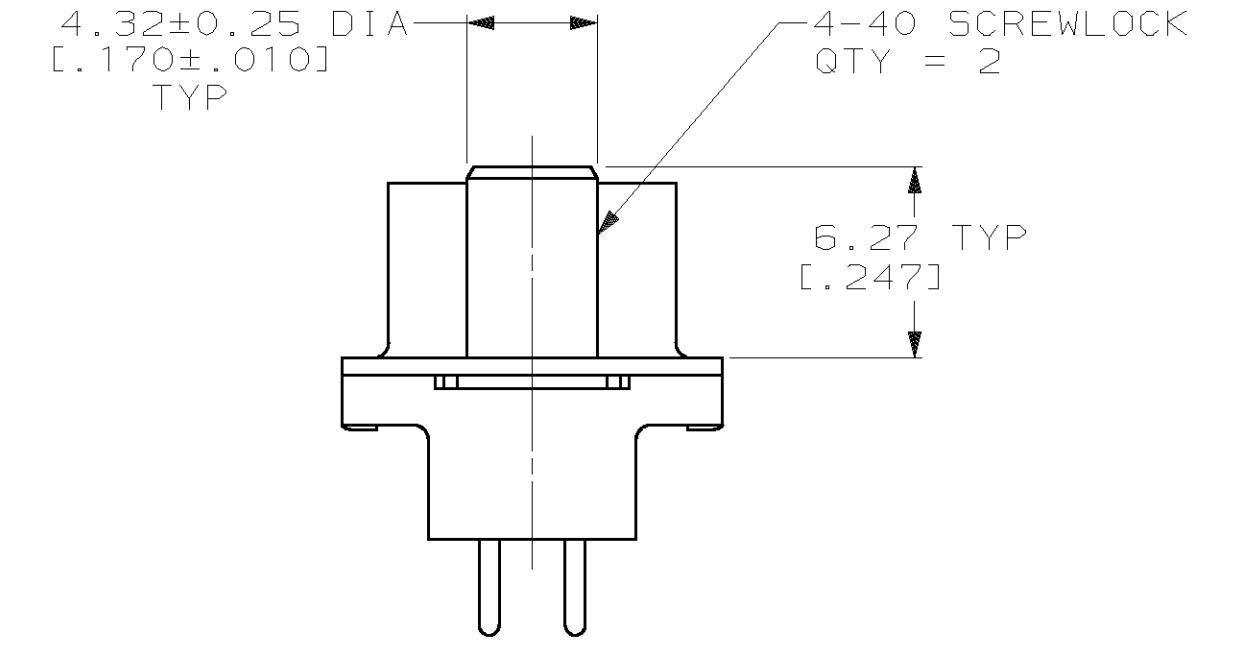
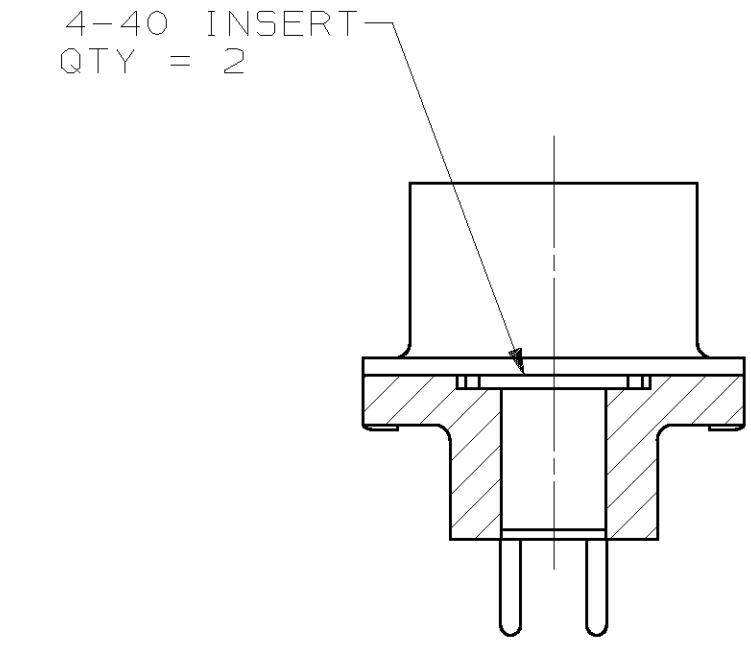
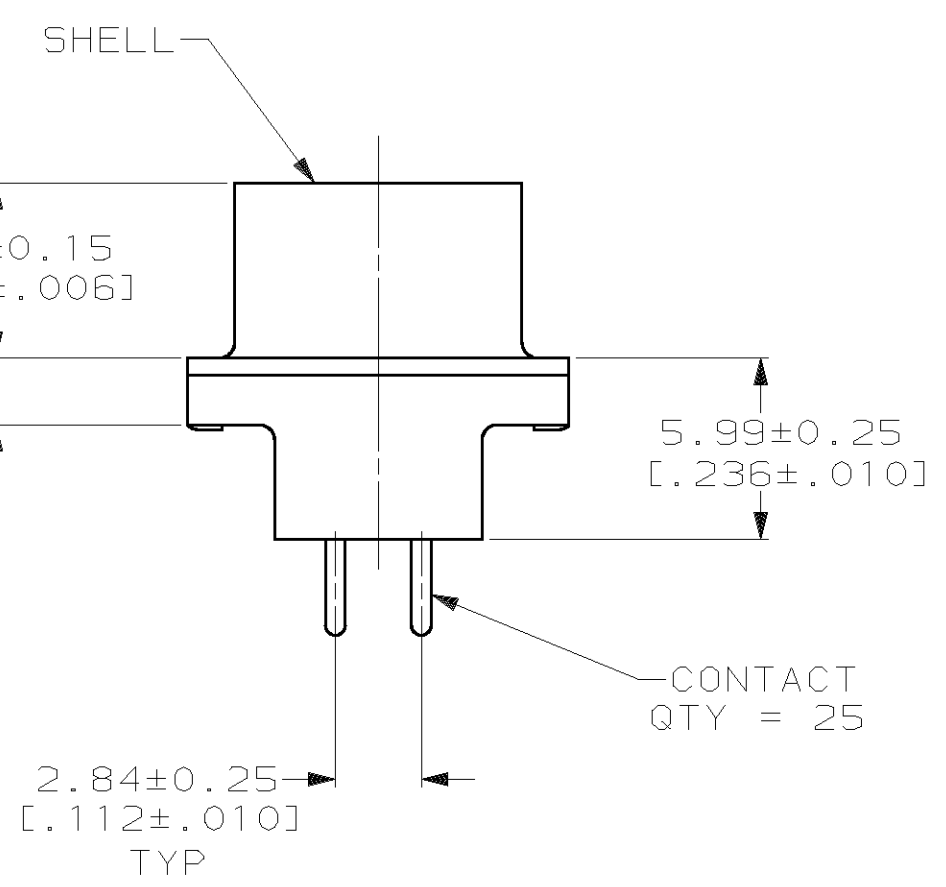
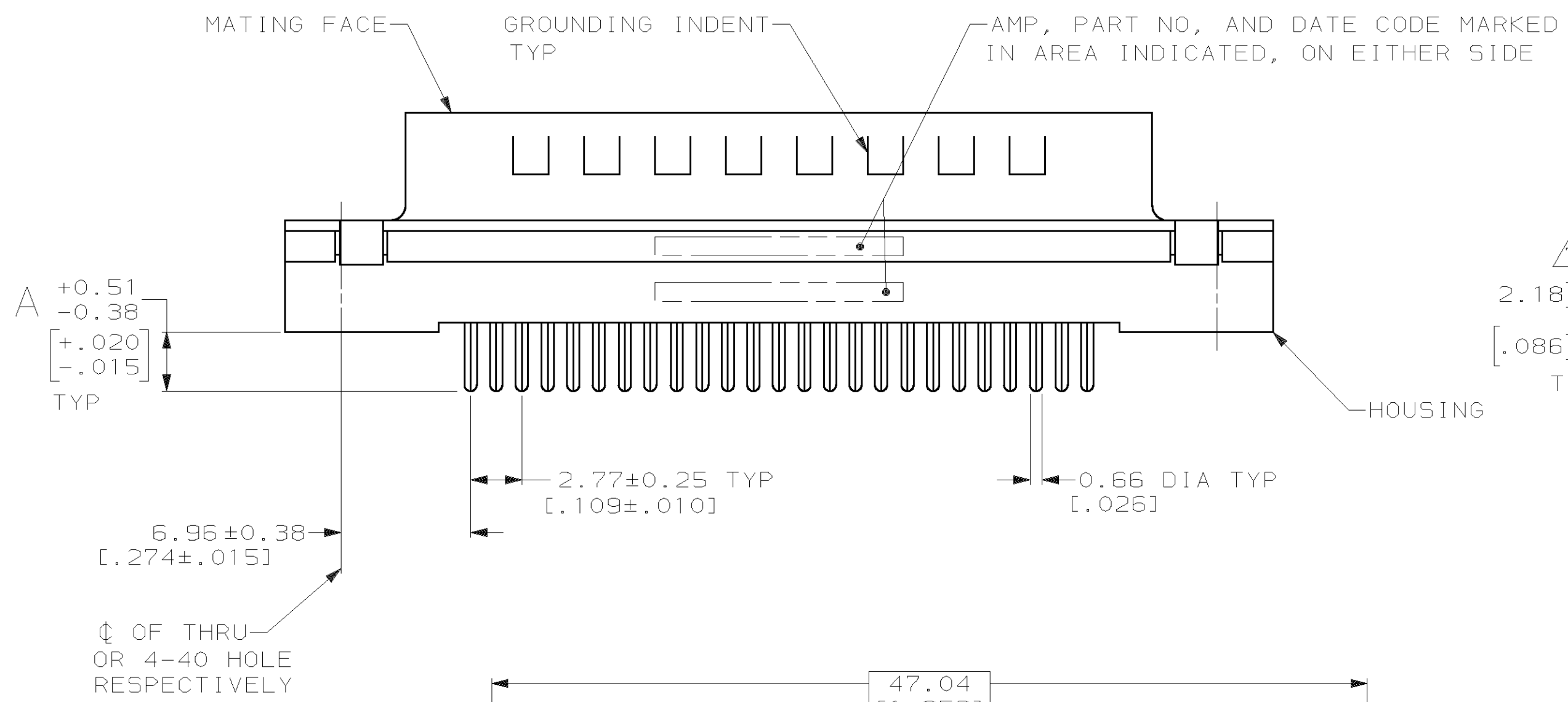
The content and copyrights of the attached
material are the property of its owner.

Jameco Part Number 758188

LOC		DIST		P		F		ZONE		LTR		REVISIONS			
GP	00											DESCRIPTION	DATE	APPD	
												L	REVISED PER EC 0513-0460-02	07MAR03	JG

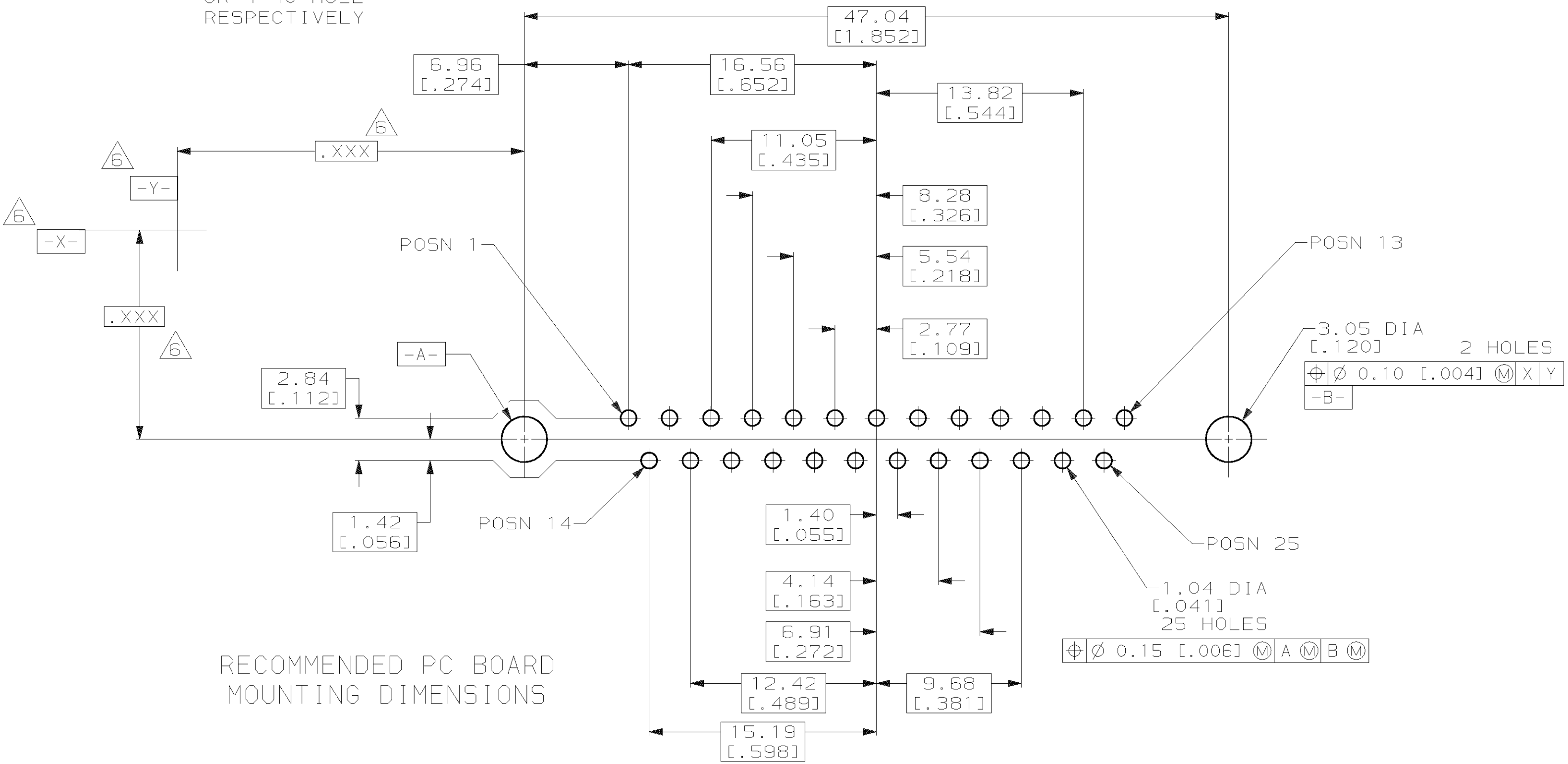


- ① HOUSING: BLACK POLYESTER, UL 94V-0 RATED; CONTACT: BRASS PER MIL-C-50, SHELL: CARBON STEEL PER ASTM A109; SCREWLOCK: ZINC; INSERT: BRASS.
- ② GOLD PLATING PER MIL-G-45204, TIN PLATING PER MIL-T-10727, NICKEL PLATING PER QQ-N-290, COPPER PLATING PER MIL-C-14550.
- ③ GOLD PLATED FOR A LENGTH OF 3.81 [0.150] MIN FROM MATING END, GOLD FLASH IN MATED AREA, 2.54µm [0.000100] MIN TIN OR TIN-LEAD FOR A LENGTH OF DIMENSION A FROM OPPOSITE END, ALL OVER 1.27µm [0.000050] MIN NICKEL.
- ④ GOLD PLATED FOR A LENGTH OF 3.81 [0.150] FROM MATING END, 0.76µm [0.000030] MIN GOLD IN MATED AREA, 2.54µm [0.000100] MIN TIN OR TIN-LEAD FOR A LENGTH OF DIMENSION A FROM OPPOSITE END, ALL OVER 1.27µm [0.000050] MIN NICKEL.
- ⑤ 5.08µm [0.000200] MIN TIN OVER 1.27µm [0.000050] MIN COPPER.
- ⑥ DATUMS AND BASIC DIMENSIONS ESTABLISHED BY CUSTOMER.
- ⑦ 2.79 [0.110] MAX IN SHELL TAB CLINCH AREAS.



DETAIL D

DETAIL E



REV	DATE	DESCRIPTION	BY	CHK
OBSOLETE	6.35 [0.250]	4-40 SCREWLOCK (DETAIL E)	④	1-745968-8
	6.35 [0.250]	4-40 SCREWLOCK (DETAIL E)	③	1-745968-7
	4.32 [0.170]	4-40 SCREWLOCK (DETAIL E)	④	1-745968-6
	4.32 [0.170]	4-40 SCREWLOCK (DETAIL E)	③	1-745968-5
	3.18 [0.125]	4-40 SCREWLOCK (DETAIL E)	④	1-745968-4
	3.18 [0.125]	4-40 SCREWLOCK (DETAIL E)	③	1-745968-3
OBSOLETE	6.35 [0.250]	4-40 INSERT (DETAIL D)	④	1-745968-2
	6.35 [0.250]	4-40 INSERT (DETAIL D)	③	1-745968-1
	4.32 [0.170]	4-40 INSERT (DETAIL D)	④	1-745968-0
	4.32 [0.170]	4-40 INSERT (DETAIL D)	③	745968-9
	3.18 [0.125]	4-40 INSERT (DETAIL D)	④	745968-8
	3.18 [0.125]	4-40 INSERT (DETAIL D)	③	745968-7
OBSOLETE	6.35 [0.250]	-	④	745968-6
	6.35 [0.250]	-	③	745968-5
	4.32 [0.170]	-	④	745968-4
SUPERSEDED BY 745968-4	4.32 [0.170]	-	③	745968-3
	3.18 [0.125]	-	④	745968-2
SUPERSEDED BY 745968-2	3.18 [0.125]	-	③	745968-1

MATERIAL		FINISH		CONTACT		SHELL	
①		②		③		④	
DO NOT SCALE PRINT. UNLESS SPECIFIED DIMENSIONS IN mm [INCHES] TOLERANCES ON: 2 PLC DEC ± 0.13 [0.005] 3 PLC DEC ± - ANGLES ± 2°		DR 12/01/89 J. McCLINTON CHK 02/01/90 R. STONE		AMPD 02/02/90 S. SCHIEFERLY		AMPD 02/02/90 C. RÖHDE	
AMP INCORPORATED Harrisburg, Pa. 17105		NAME PLUG ASSEMBLY, SIZE 3, 25 POSITION, VERTICAL, FRONT METAL SHELL, AMPLIMITE® HD-20		SIZE D		CAGE CODE 00779	
APPLICATION SPEC 114-40023		DRAWING NO 745968		SCALE 4:1		SHEET 1 OF 1	