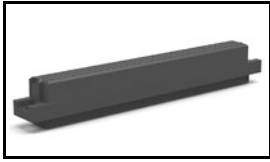


746603-4 Product Details

[Share](#) [Print](#) [Email](#)




746603-4

TE Internal Number: 746603-4

 Active

[View 3D PDF](#)

Eurocard Type C

 Always EU RoHS/ELV Compliant
(Statement of Compliance)

Product Highlights:

- Eurocard Product Line
- Product Series = Type C
- Connector Assembly
- Connector Style = Receptacle
- Wire-to-Board

[View all Features](#)

Quick Links

- ▶ [Pricing & Availability](#)
- ▶ [Search for Tooling](#)
- ▶ [View Mating Products \(8\)](#)
- ▶ [Product Feature Selector](#)
- ▶ [Contact Us About This Product](#)

[Add to My Part List](#)

[Request Sample](#)

[Find Similar Products](#)

[Buy Product](#)

Documentation & Additional Information

Product Drawings:

- [ASSEMBLY, EUROLATCH AMP-LATCH](#) (PDF, English)

Catalog Pages/Data Sheets:

- [Ribbon Cable Interconnect Solutions](#) (PDF, English)

Product Specifications:

- None Available

Application Specifications:

- None Available

Instruction Sheets:

- [AMP* EUROLATCH* CONN.](#) (PDF, English)

CAD Files: (CAD Format & Compression Information)

- [2D Drawing](#) (DXF, Version G)
- [3D Model](#) (IGES, Version G)
- [3D Model](#) (STEP, Version G)

[List all Documents](#)

Additional Information:

- [Product Line Information](#)

Additional Product Images:

- [Recommended PC Board Hole Pattern](#)

Related Products:

- [Tooling](#)
- [Mating Products \(8\)](#)

Product Features (Please use the Product Drawing for all design activity)

Product Type Features:

- Product Line = Eurocard
- Product Series = Type C
- Connector Type = Connector Assembly
- Wire/Cable Type = Ribbon Cable
- [PCB Mount Retention](#) = Without
- [Size](#) = Standard
- [Make First / Break Last](#) = No

Electrical Characteristics:

- Contact - Rated Current (A) = 1.5

Termination Features:

- Wire/Cable Size (AWG) = 26 - 30
- Wire/Cable Size (mm²) = 0.05 - 0.15
- [Termination Method to Wire/Cable](#) = IDC Discrete

Contact Features:

Configuration Features:

- Number of Rows = 3
- [Number of Positions](#) = 64
- [Rows Loaded](#) = A, C

Industry Standards:

- [RoHS/ELV Compliance](#) = RoHS compliant, ELV compliant
- [Lead Free Solder Processes](#) = Not relevant for lead free process
- RoHS/ELV Compliance History = Always was RoHS compliant

Conditions for Usage:

- [Applies To](#) = Wire/Cable

Operation/Application:

- Application Use = Wire-to-Board
- Contact Transmits (Typical Application) = Signal

- Contact Type = Socket
- Contact Base Material = Phosphor Bronze

Housing Features:

- Connector Style = Receptacle
- Centerline (mm [in]) = 2.54 [0.100]
- Mating Alignment = With
- Mating Alignment Type = Polarization
- Housing Material = Glass Filled Polyester
- UL Flammability Rating = UL 94V-0

(Data)

Other:

- Brand = AMP

Corporate Information

- [About TE](#)
- [Investors](#)
- [News Room](#)
- [Supplier Portal](#)
- [Careers](#)
- [Terms & Conditions](#)
- [Privacy Policy](#)

Quick Links

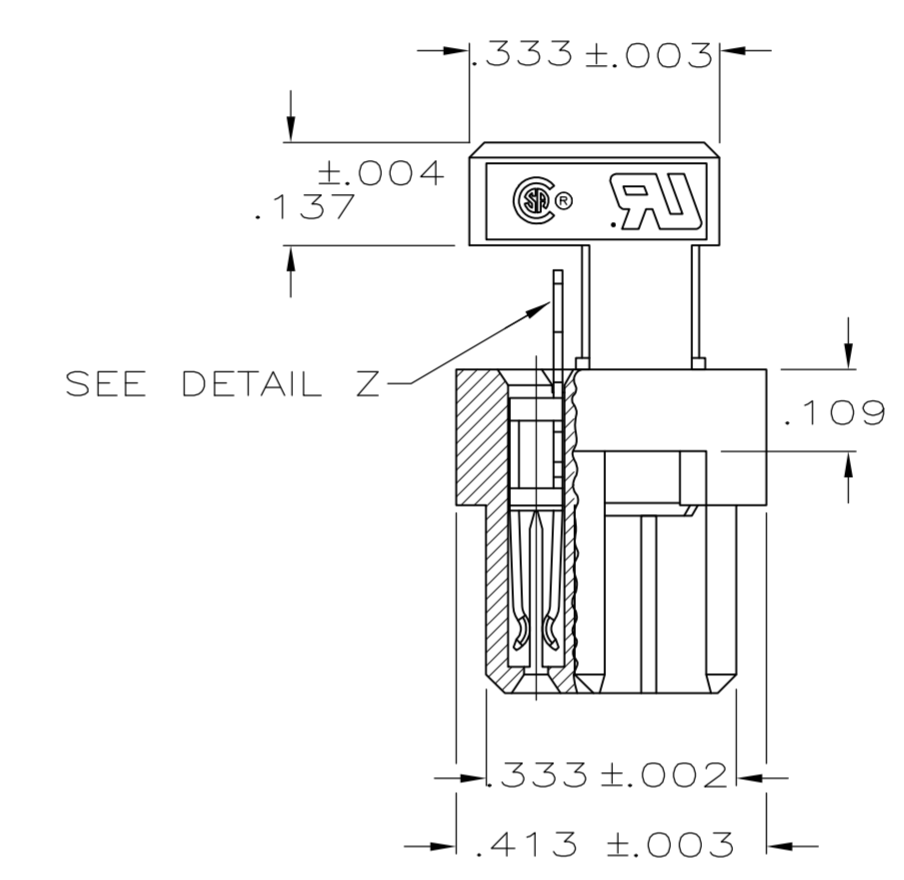
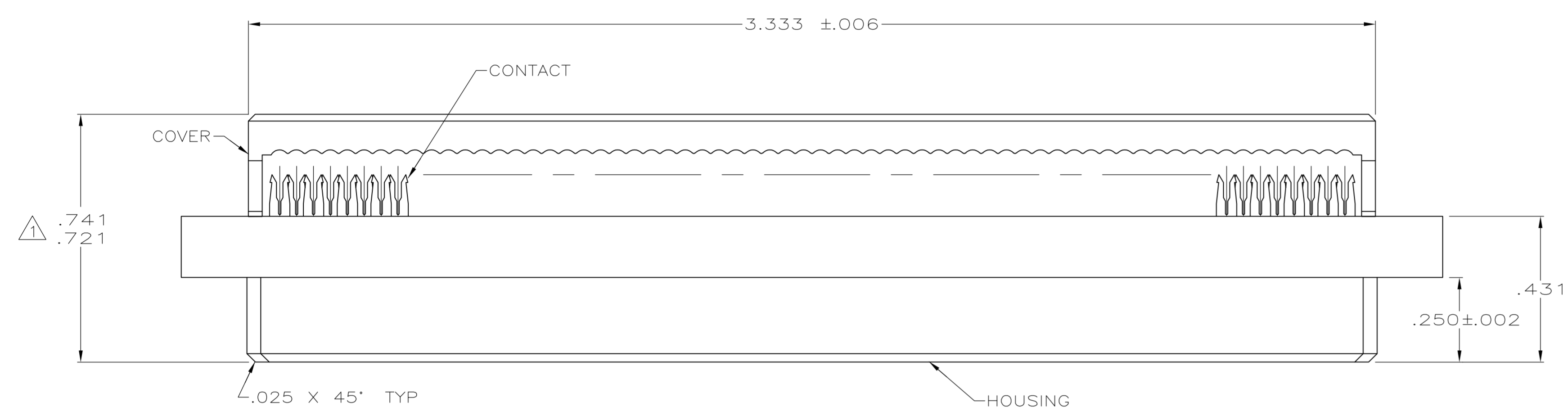
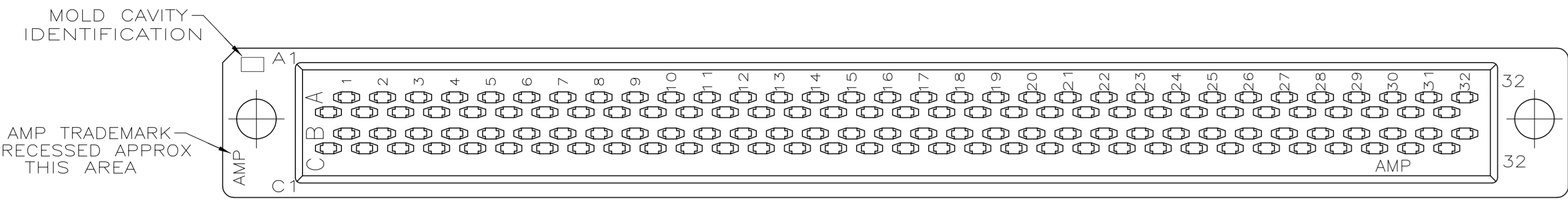
- [Distributor Inventory](#)
- [Product Cross Reference](#)
- [Documents & Drawings](#)
- [Product Compliance Support Center](#)
- [Site Map](#)

Customer Support

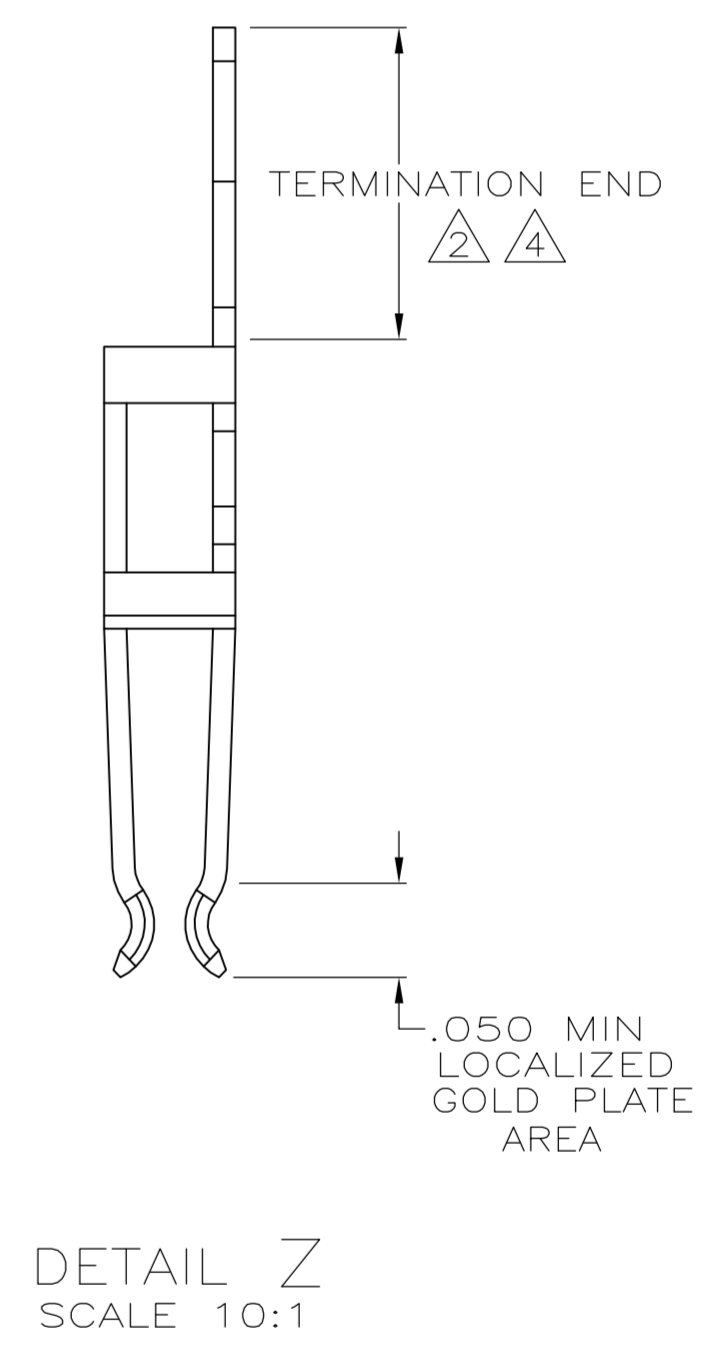
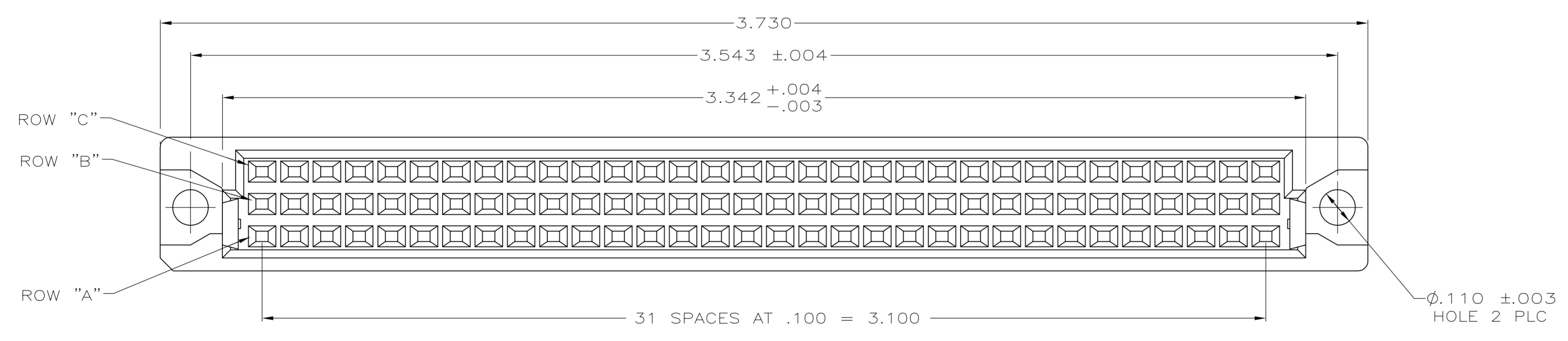
- [Email or Chat With Us](#)
- [Find a Phone Number](#)
- [Knowledge Base](#)
- [Manage Your Account](#)

Keep Me Informed





- 1. DIMENSION EQUALS .568 WHEN FULLY TERMINATED.
- 2. .000030 MIN. GOLD ON GOLD PLATE AREA, .000100 MIN. BRIGHT TIN LEAD ON TERMINATION END, ALL OVER .000050 NICKEL.
- 3. ASSEMBLY DESIGNED FOR #26 AND #28 AWG STRANDED CONDUCTOR AND #26, #28 AND #30 AWG SOLID CONDUCTOR RIBBON CABLE ON .050 CENTERS.
- 4. .000030 MIN. GOLD ON GOLD PLATE AREA, .000100 MIN. BRIGHT TIN ON TERMINATION END, ALL OVER .000050 NICKEL.



	4	CONTACTS LOADED IN ROWS A & C	746603-4
OBSOLETE	2	CONTACTS LOADED IN ROWS B & C	746603-3
OBSOLETE	2	CONTACTS LOADED IN ROWS A & B	746603-2
OBSOLETE	2	CONTACTS LOADED IN ROWS A & C	746603-1

FINISH	DESCRIPTION	PART NUMBER
--------	-------------	-------------

THIS DRAWING IS A CONTROLLED DOCUMENT. DIMENSIONING AND TOLERANCING PER ASME Y14.5M-2009

11-1-89

D. KEITZER

TE Connectivity

ASSEMBLY, EUROLATCH AMP-LATCH

108-46003

00779

746603

CUSTOMER DRAWING

SCALE 4:1 SHEET 1 OF 1 REV H