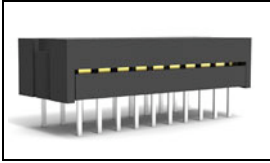


746611-8 Product Details

[Share](#) [Print](#) [Email](#)



746611-8

TE Internal Number: 746611-8

Active

[View 3D PDF](#)

AMP-LATCH Ribbon Cable Connectors

Always EU RoHS/ELV Compliant (Statement of Compliance)

Product Highlights:

- AMP-LATCH Product Line
- Wire-to-Board
- Applies To Printed Circuit Board
- Connector Assembly
- Connector Style = Plug

[View all Features](#)

Quick Links

- ▶ [Pricing & Availability](#)
- ▶ [Search for Tooling](#)
- ▶ [Product Feature Selector](#)
- ▶ [Contact Us About This Product](#)

[Add to My Part List](#)

[Request Sample](#)

[Find Similar Products](#)

[Buy Product](#)

Documentation & Additional Information

Product Drawings:

- [KIT, AMP-LATCH DIP PLUG, PREASSEMBLED .100 X .300 CE...](#) (PDF, English)

Catalog Pages/Data Sheets:

- [Ribbon Cable Interconnect Solutions](#) (PDF, English)

Product Specifications:

- [Connector, Round Conductor Cable, Paddleboard & Plug...](#) (PDF, English)

Application Specifications:

- None Available

Instruction Sheets:

- [Connector-Specific Kit for AMP-LATCH DIP Connectors](#) (PDF, English)

CAD Files: (CAD Format & Compression Information)

- [2D Drawing](#) (DXF, Version K)
- [3D Model](#) (IGES, Version K)
- [3D Model](#) (STEP, Version K)

[List all Documents](#)

Additional Information:

- [Product Line Information](#)

Related Products:

- [Tooling](#)

Product Features (Please use the Product Drawing for all design activity)

Product Type Features:

- Product Line = AMP-LATCH
- Connector Type = Connector Assembly
- Termination Method to PC Board = Through Hole - Solder
- PCB Mounting Orientation = Vertical
- PCB Mount Retention = Without
- PCB Mount Alignment = Without
- Series = AMP-LATCH DIP Plug
- Termination Method to Wire/Cable = Insulation Displacement Crimp (IDC)
- UL File Number = E28476
- CSA File Number = LR 7189

Electrical Characteristics:

- Contact - Rated Current (A) = 1
- Operating Voltage Reference = AC
- Operating Voltage (VAC) = 250

Termination Features:

- Wire/Cable Size (AWG) = 26 - 30
- Wire/Cable Size (mm²) = 0.051 - 0.15
- Wire/Cable Size (CMA) = 101 - 296
- Tail Length (mm [in]) = 3.94 [0.155]
- Tail Orientation = In-line

Dimensions:

- PCB Thickness, Recommended (mm [in]) = 3.18 [0.125]

Housing Features:

- Connector Style = Plug
- Centerline (mm [in]) = 2.54 [0.100]
- Housing Color = Black
- UL Flammability Rating = UL 94V-0

Configuration Features:

- Number of Positions = 14
- Number of Rows = 2

Industry Standards:

- [RoHS/ELV Compliance](#) = RoHS compliant, ELV compliant
- [Lead Free Solder Processes](#) = Wave solder capable to 240°C, Wave solder capable to 260°C, Wave solder capable to 265°C
- RoHS/ELV Compliance History = Always was RoHS compliant
- Agency/Standard = CSA, UL
- UL Rating = Recognized
- UL Voltage Rating (VAC) = 250

Environmental:

- Operating Temperature (°C [°F]) = -65 - +105 [-85 - +221]

Conditions for Usage:

- [Applies To](#) = Printed Circuit Board
- Accepts Wire Insulation Diameter, Range (mm [in]) = 0.81 - 1.07 [0.032 - 0.042]

Operation/Application:

- Application Use = Wire-to-Board

- Length (X-Axis) (mm [in]) = 20.02 [0.7882]
- Width (Z-Axis) (mm [in]) = 10.67 [0.420]
- Profile Height (Y-Axis) (mm [in]) = 6.43 [0.253]

Body Features:

- Row-to-Row Spacing (mm [in]) = 7.62 [0.300]

Contact Features:

- Contact Type = Pin
- Contact Base Material = Phosphor Bronze
- Contact Plating, Mating Area, Material = Gold or Palladium Nickel or Performance Based
- Contact Plating, Mating Area, Thickness (μm [μin]) = 0.76 [29.92]
- Contact Plating, Termination Area, Material = Gold
- Contact Plating, Termination Area, Thickness (μm [μin]) = 0.762 [30]

- Contact Transmits (Typical Application) = Signal (Data)

Packaging Features:

- Packaging Method = Tray

Other:

- Brand = AMP

Corporate Information

- [About TE](#)
- [Investors](#)
- [News Room](#)
- [Supplier Portal](#)
- [Careers](#)
- [Terms & Conditions](#)
- [Privacy Policy](#)

Quick Links

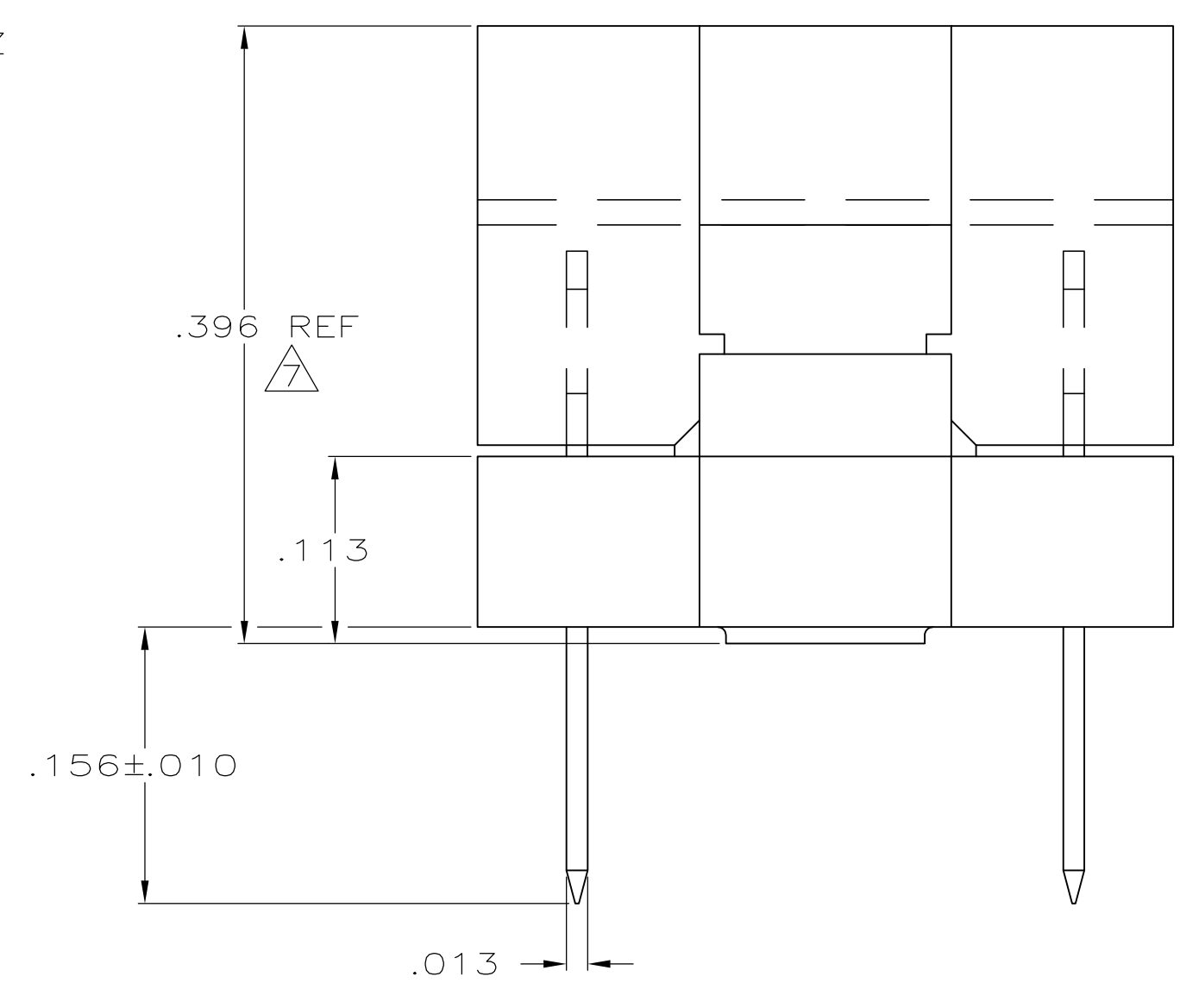
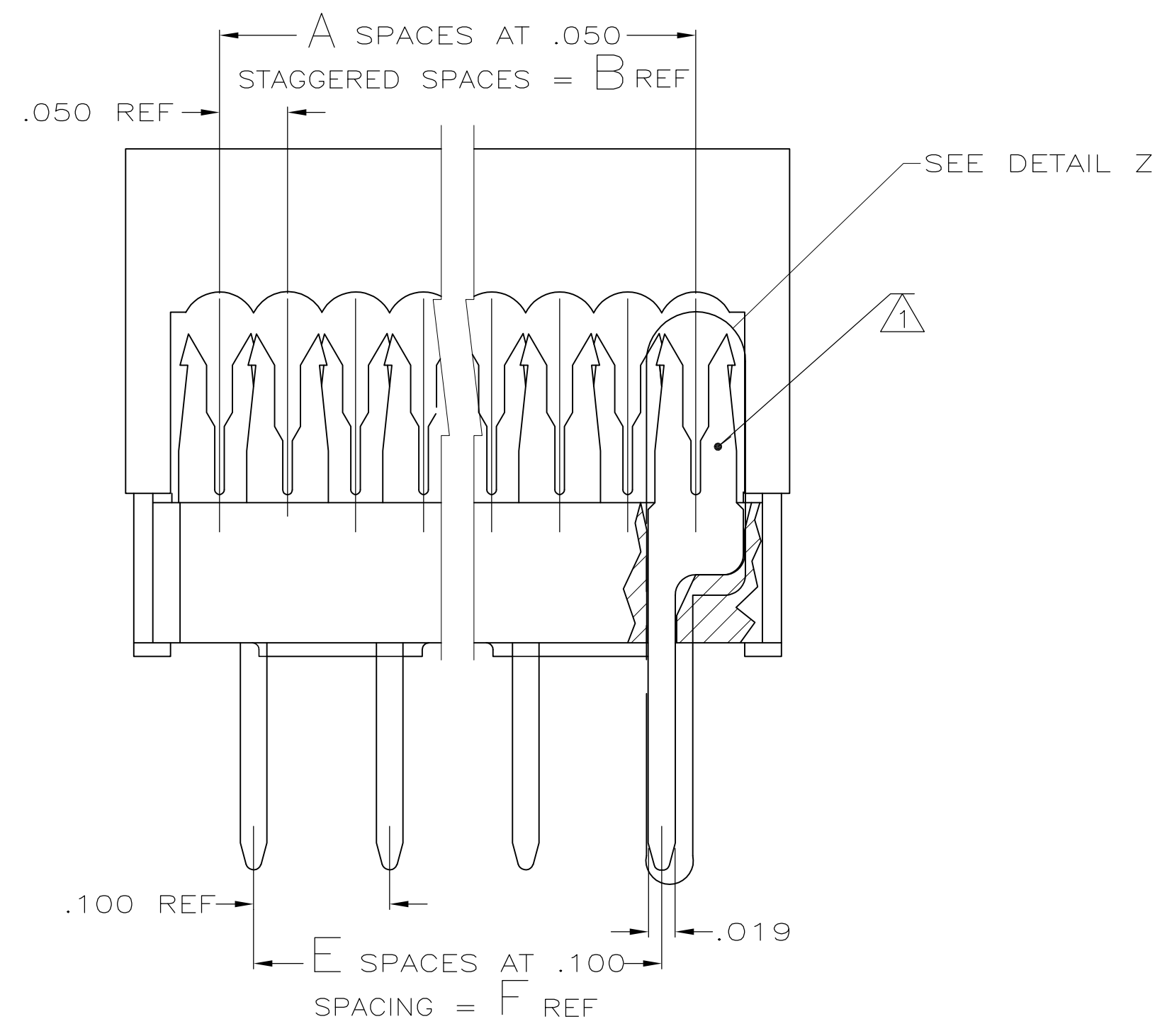
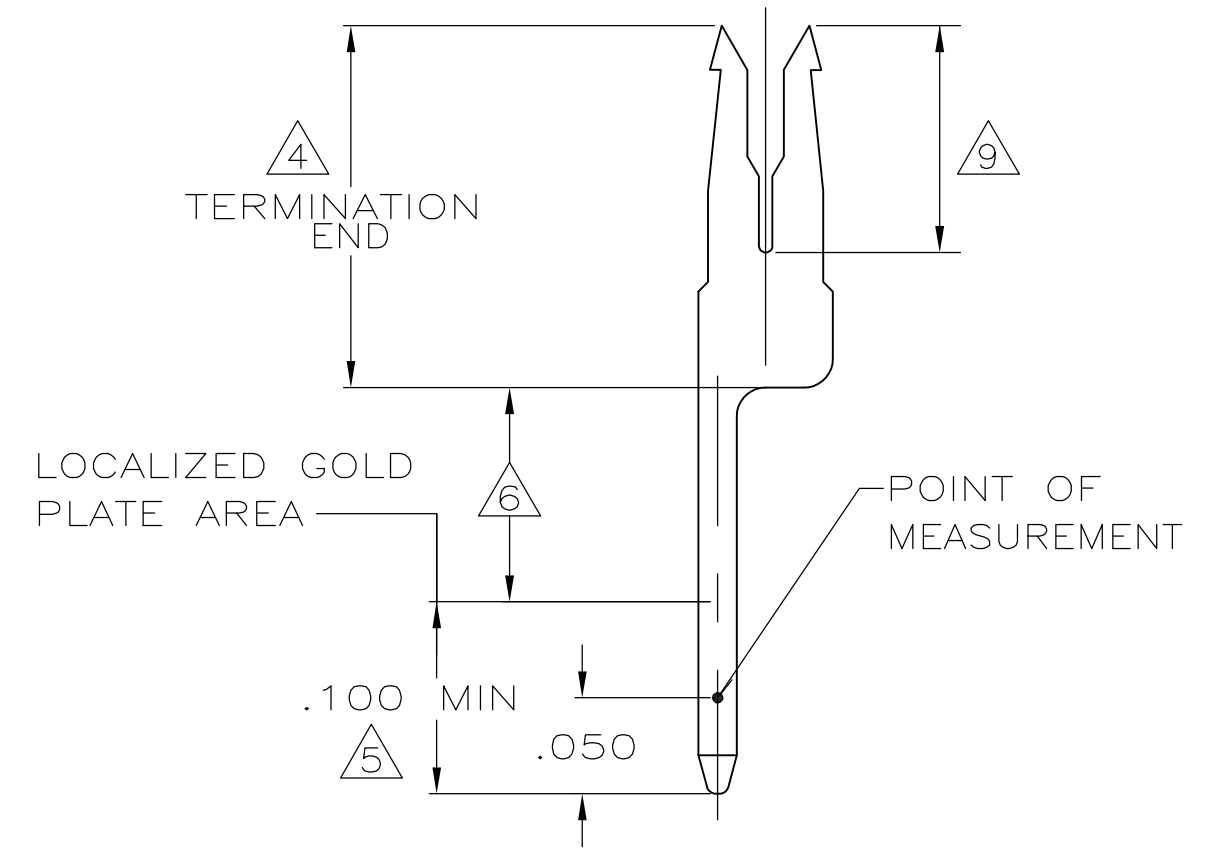
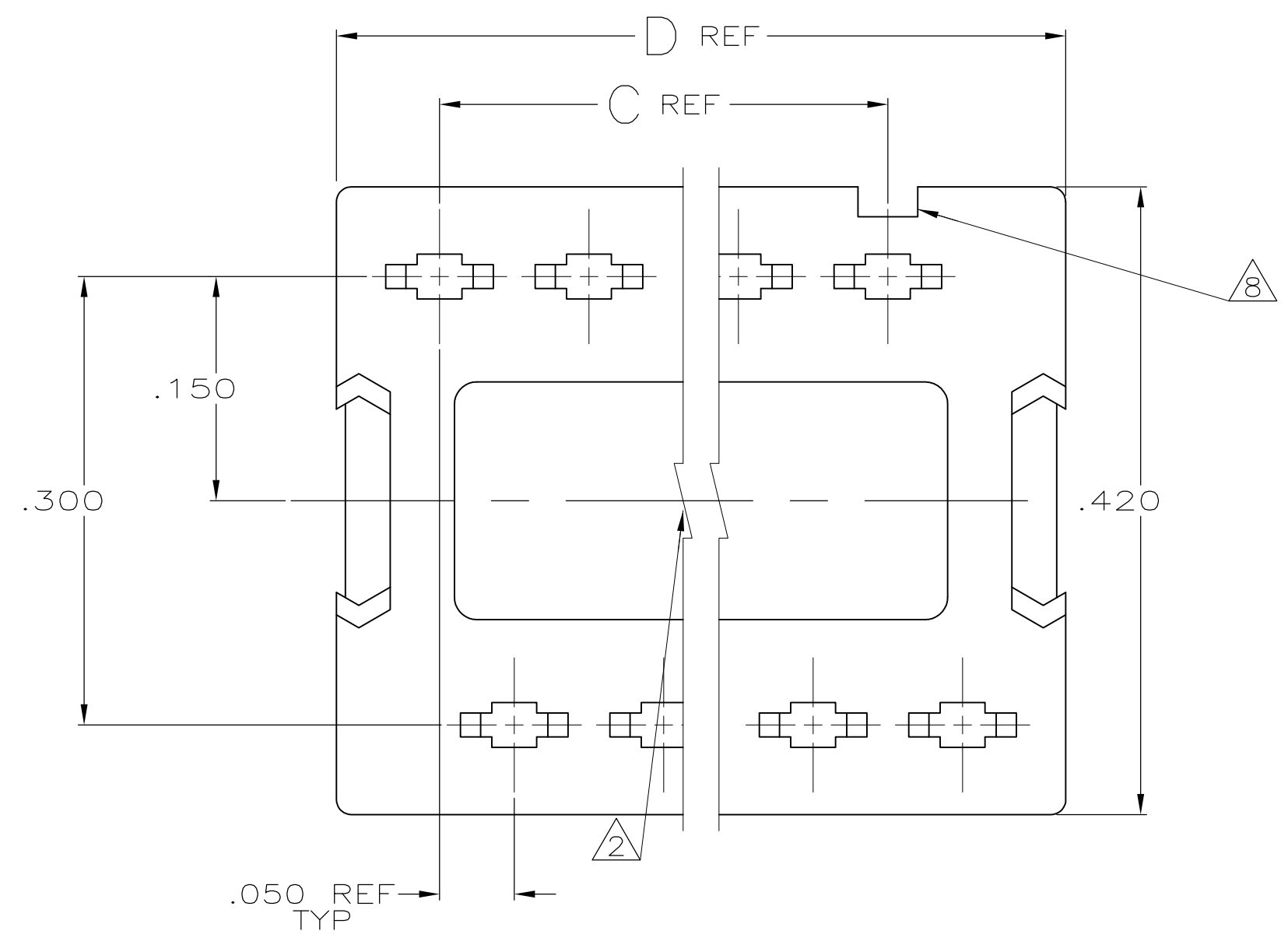
- [Distributor Inventory](#)
- [Product Cross Reference](#)
- [Documents & Drawings](#)
- [Product Compliance Support Center](#)
- [Site Map](#)

Customer Support

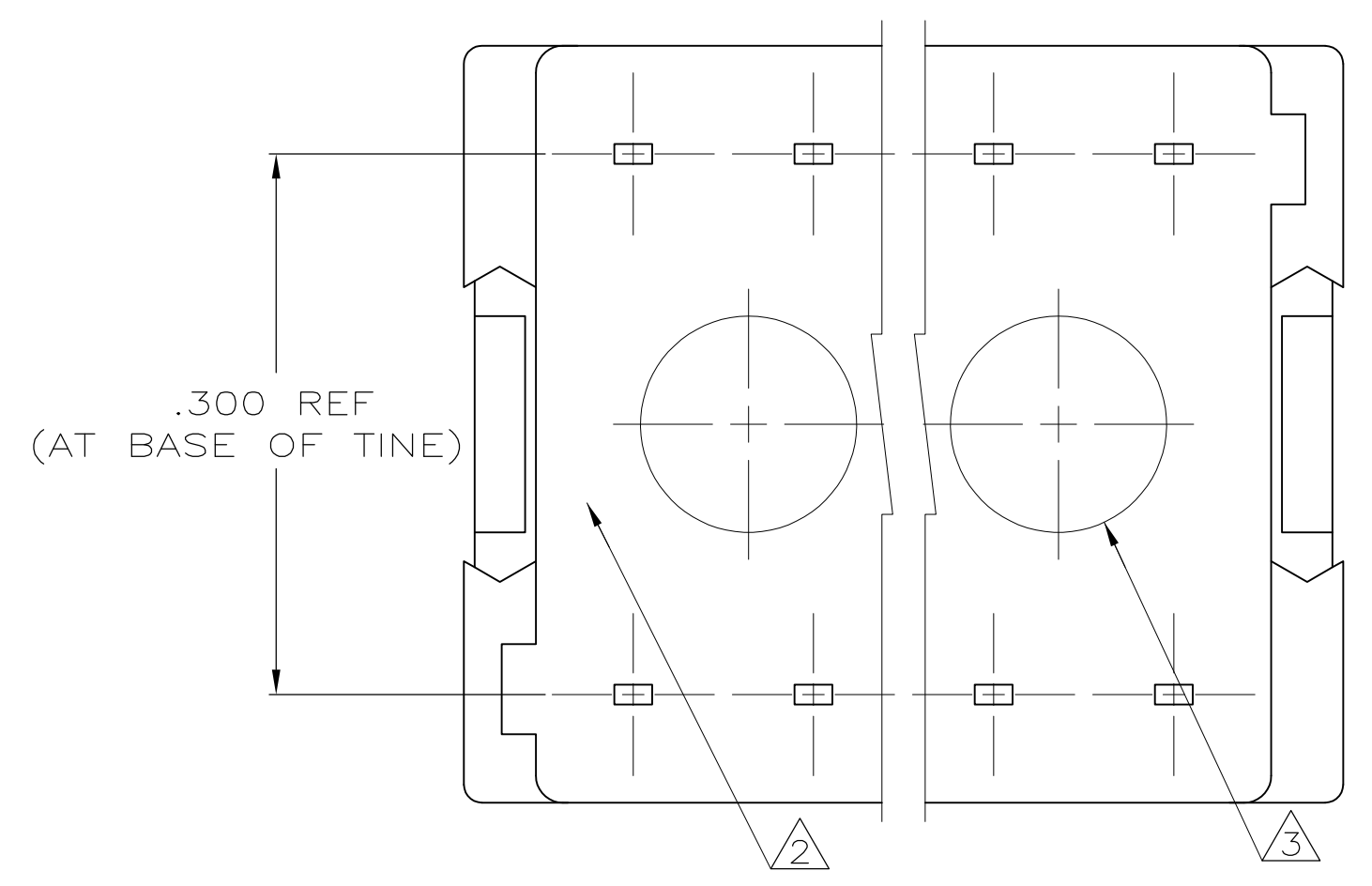
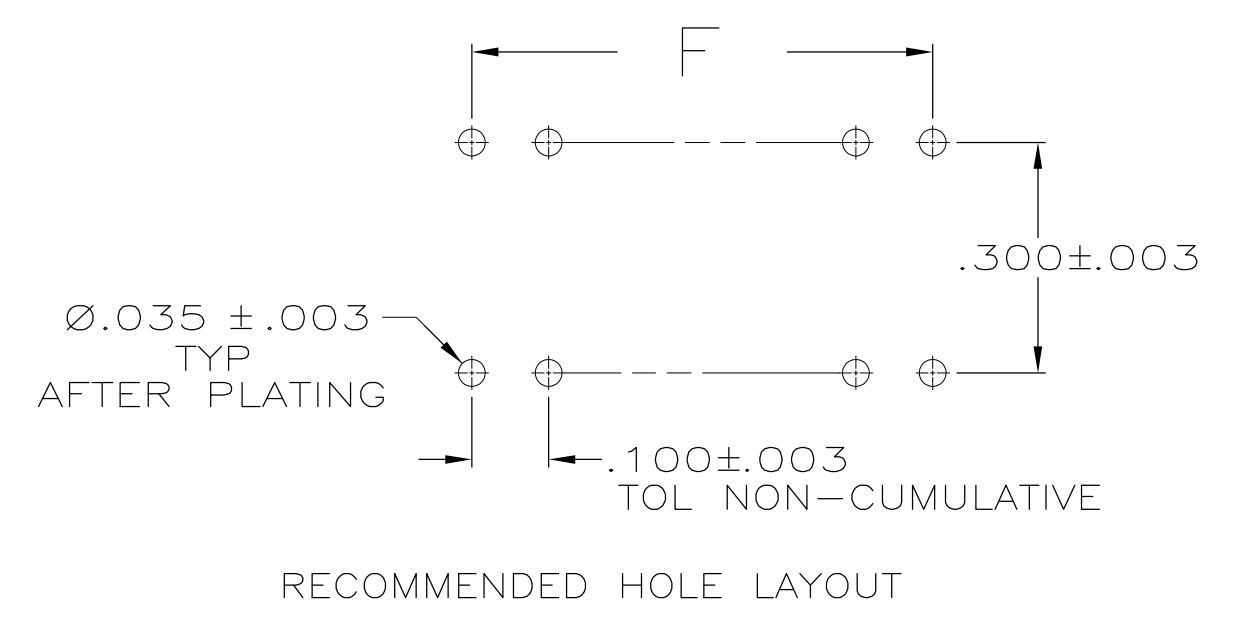
- [Email or Chat With Us](#)
- [Find a Phone Number](#)
- [Knowledge Base](#)
- [Manage Your Account](#)

Keep Me Informed





- ① CONTACTS DESIGNED FOR 26 & 28 AWG STRANDED OR 26, 28 & 30 AWG SOLID WIRE.
- ② AMP TRADEMARK LOCATED IN APPROX AREA SHOWN.
- ③ STANDOFFS: POSN 8 (2) STANDOFFS AS SHOWN. POSN 14-20 (3) STANDOFFS, (1) CENTERED BETWEEN (2) SHOWN
- ④ PLATED WITH .000100 - .000200 BRIGHT TIN LEAD OVER .000050 NICKEL.
- ⑤ PLATED WITH .000030 GOLD OVER .000050 NICKEL.
- ⑥ GOLD FLASH OVER .000050 NICKEL.
- ⑦ HEIGHT AFTER TERMINATION IS .253 REF.
- ⑧ INDICATES NO 1 POSITION.
- ⑨ PLATED WITH .000005 MIN GOLD IN IDC AREA OVER .000050 MIN NICKEL.
- ⑩ MOLDED PARTS: 94V-0 RATED THERMOPLASTIC, COLOR BLACK. CONTACTS: PHOS BRONZE.



⑨	⑤	⑥	.900	9	1.088	.900	.950	19	20	1-746611-0	
⑨	⑤	⑥	.800	8	.988	.800	.850	17	18		-9
⑨	⑤	⑥	.600	6	.788	.600	.650	13	14		-8
⑨	⑤	⑥	.300	3	.488	.300	.350	7	8		-7
⑨	⑤	⑥	.700	7	.888	.700	.750	15	16		-6
OBSOLETE	④	⑤	⑥	.900	9	1.088	.900	.950	19	20	-5
OBSOLETE	④	⑤	⑥	.800	8	.988	.800	.850	17	18	-4
OBSOLETE	④	⑤	⑥	.700	7	.888	.700	.750	15	16	-3
OBSOLETE	④	⑤	⑥	.600	6	.788	.600	.650	13	14	-2
OBSOLETE	④	⑤	⑥	.300	3	.488	.300	.350	7	8	746611-1
										NO OF POSN	PART NO
										A	

THIS DRAWING IS A CONTROLLED DOCUMENT.

DIMENSIONS: INCHES	TOLERANCES UNLESS OTHERWISE SPECIFIED:	DIN L VARELA - DOCKS 11-29-04	APVD C ROHDE 11-29-04	NAME M WALMSLEY 11-29-04	SIZE	CAGE CODE	DRAWING NO	RESTRICTED TO
0 PLC ± -	1 PLC ± -				A1	00779	C=746611	
2 PLC ± -	3 PLC ± .005							
4 PLC ± -	ANGLES ± -							

STE TE Connectivity

PRODUCT SPEC: KIT, AMP-LATCH DIP PLUG, PREASSEMBLED .100 X .300 CENTERS, 30 GOLD DUPLEX CONTACTS

APPLICATION SPEC: 108-40013

SIZE: 114-40005

WEIGHT: -

CUSTOMER DRAWING

SCALE: 10:1 SHEET: 1 OF 1 REV: M