

Distributed by:

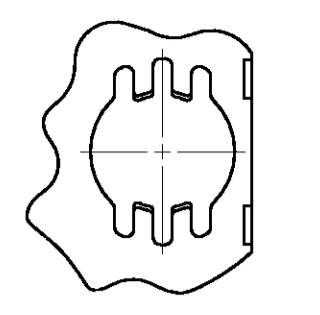
JAMECO[®]
ELECTRONICS

www.Jameco.com ♦ 1-800-831-4242

The content and copyrights of the attached
material are the property of its owner.

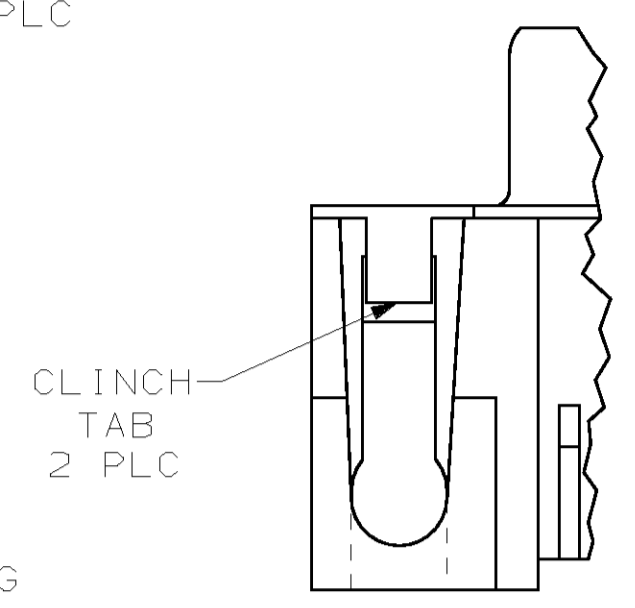
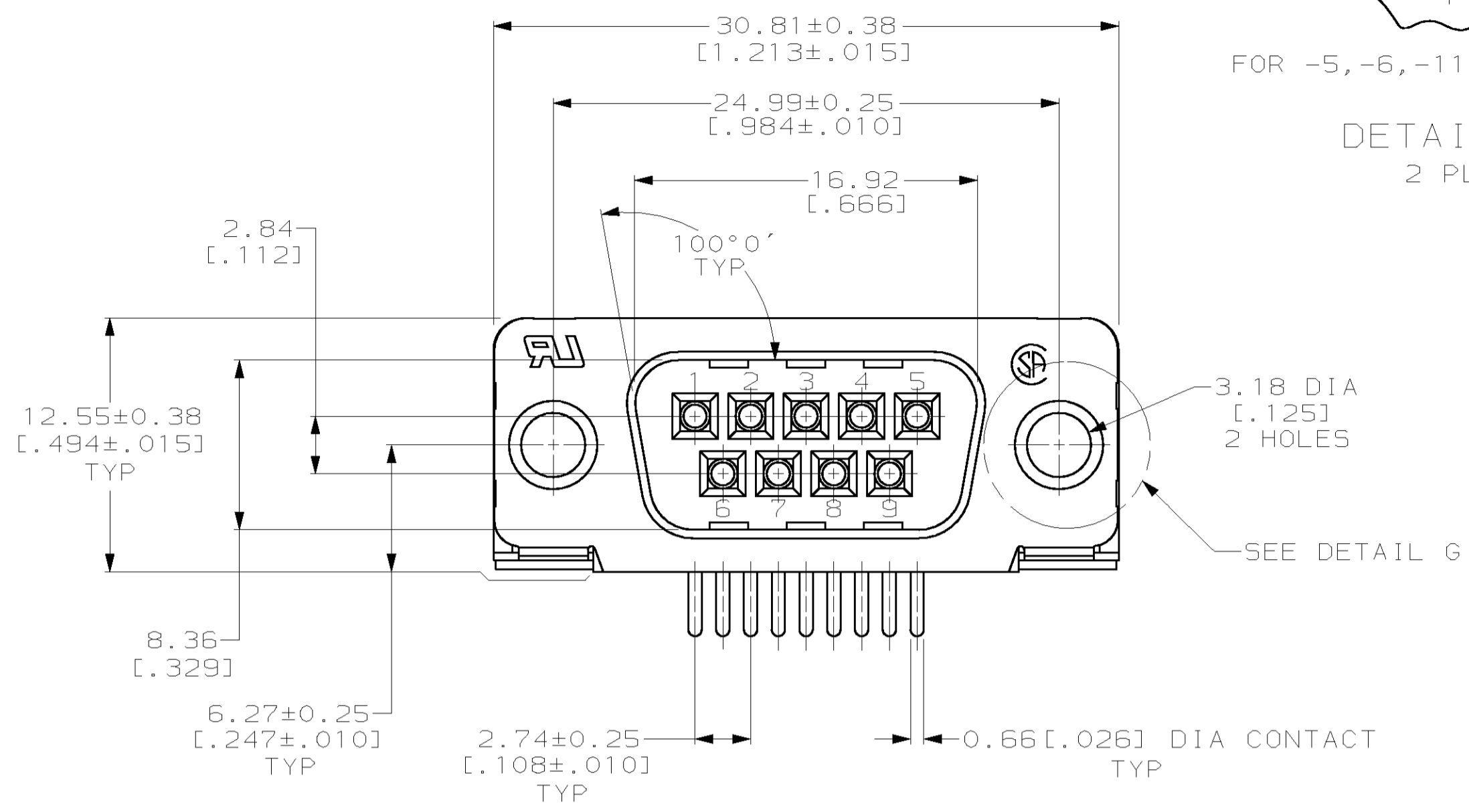
Jameco Part Number 863519

LOC	DIST	REV	DESCRIPTION	DATE	BY	APVD
BD	77	S	REVISED PER EC 0640-0267-99	16NOV99	DD	KB



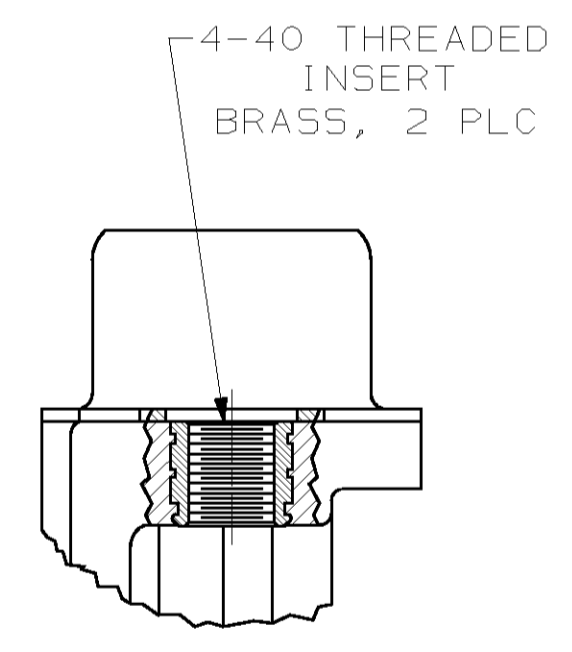
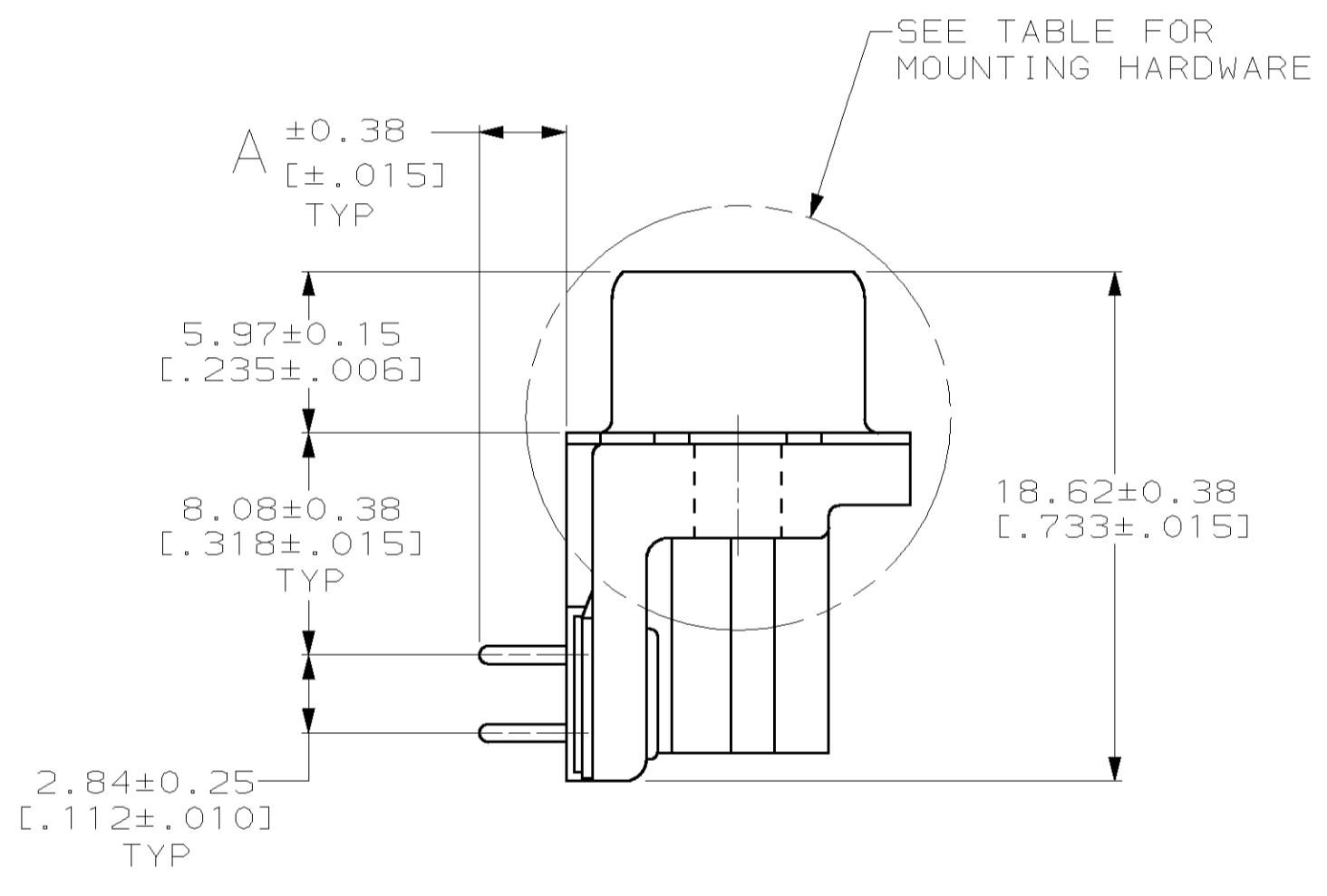
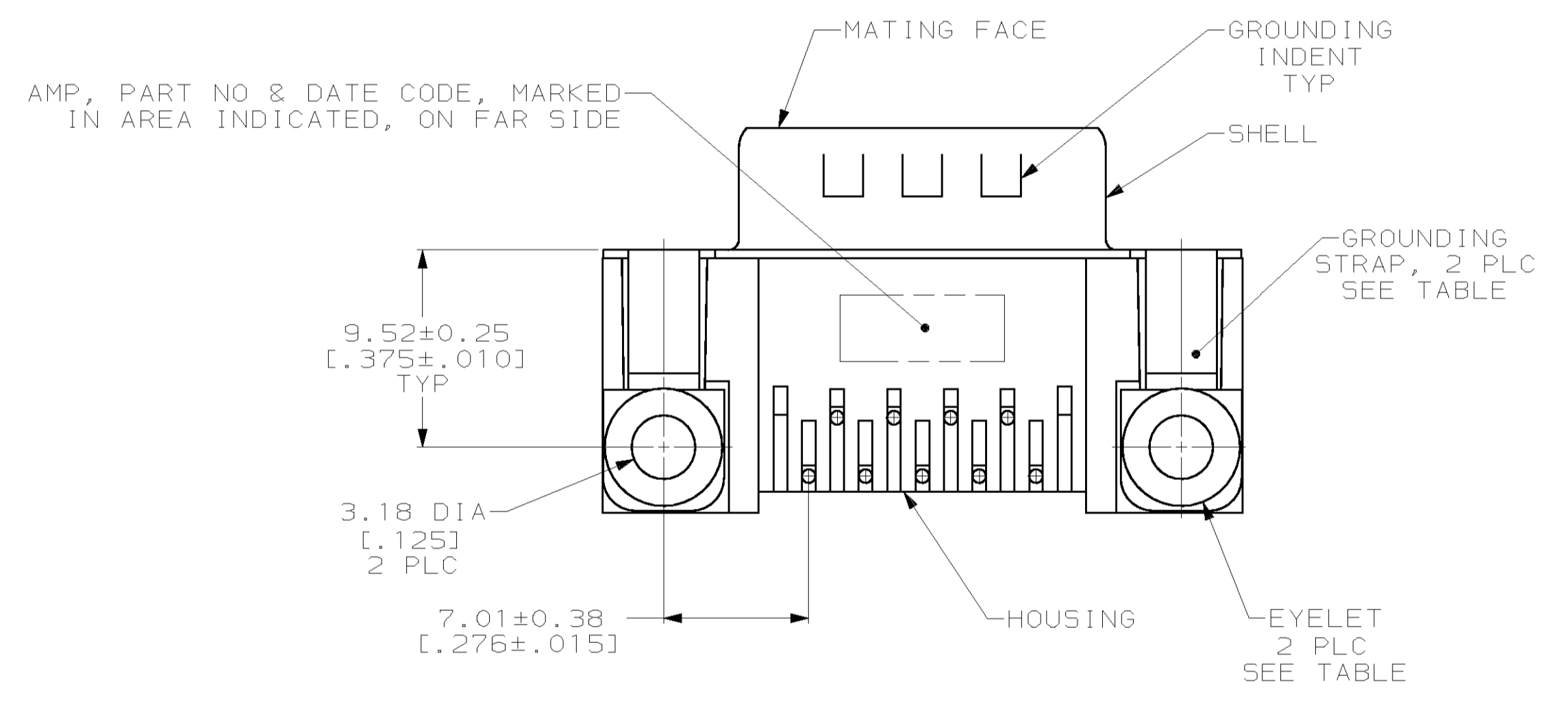
FOR -5, -6, -11 & -12 ONLY

DETAIL G
2 PLC

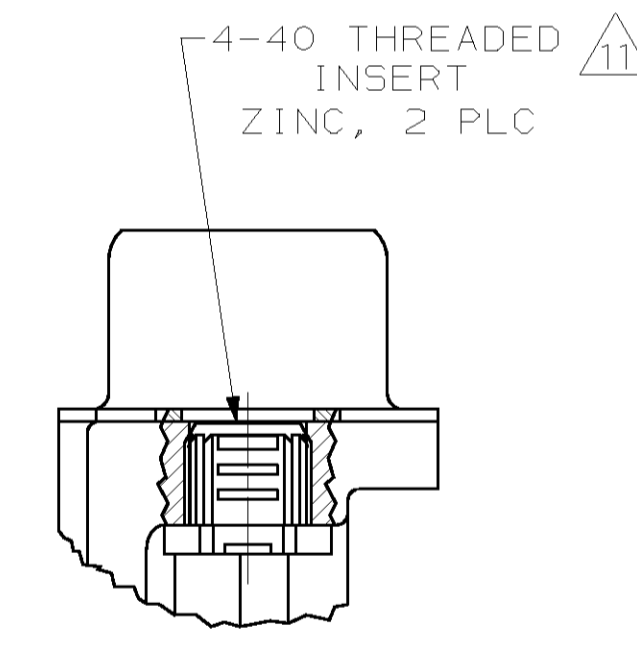


DETAIL B

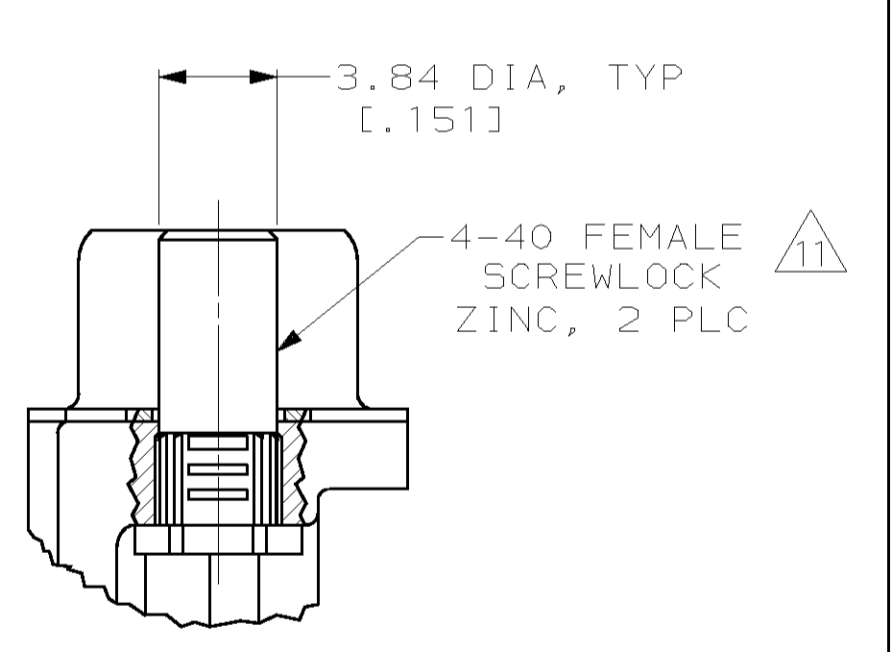
- 1 NYLON OR POLYESTER, FLAME RETARDANT, UL 94V-0 RATED, GLASS FILLED, BLACK.
- 2 BRASS PER MIL-C-50.
- 3 CARBON STEEL PER ASTM A109.
- 4 GOLD PLATING PER MIL-G-45204; NICKEL PLATING PER QQ-N-290; TIN PLATING PER MIL-T-10727; COPPER PLATING PER MIL-C-14550.
- 5 2.54µm [0.000100] MIN TIN OVER 1.27µm [0.000050] MIN COPPER.
- 6 5.08µm [0.000200] MIN TIN OVER COPPER FLASH.
- 7 GOLD PLATED FOR LENGTH OF 3.81 [0.150] MIN FROM MATING END, GOLD FLASH IN MATED AREA, 2.54µm [0.000100] MIN TIN OR TIN-LEAD FOR A LENGTH OF 3.56 [0.140] MIN FROM OPPOSITE END, BOTH OVER 1.27µm [0.000050] MIN NICKEL.
- 8 GOLD PLATED FOR LENGTH OF 3.81 [0.150] MIN FROM MATING END, 0.76µm [0.000030] MIN GOLD IN MATED AREA, 2.54µm [0.000100] MIN TIN OR TIN-LEAD FOR A LENGTH OF 3.56 [0.140] MIN FROM OPPOSITE END, BOTH OVER 1.27µm [0.000050] MIN NICKEL.
- 9 THIS CONNECTOR IS COMPATIBLE WITH TYPICAL SURFACE MOUNT SOLDERING PROCESSES CONSISTING OF 419° F MAX TEMPERATURE AND 3 MINUTES MAX EXPOSURE TIME.
- 10 SCREWLOCKS AND LOCKWASHERS FOR 1-747250-3 ASSEMBLY WILL BE BULK PACKED AND SHIPPED WITH ASSEMBLIES.
- 11 CLEAR CHROMATE.
- 12 OBSOLETE PART NUMBER.
- 13 SUPERSEDED BY 747250-2.
- 14 SUPERSEDED BY 747250-6.



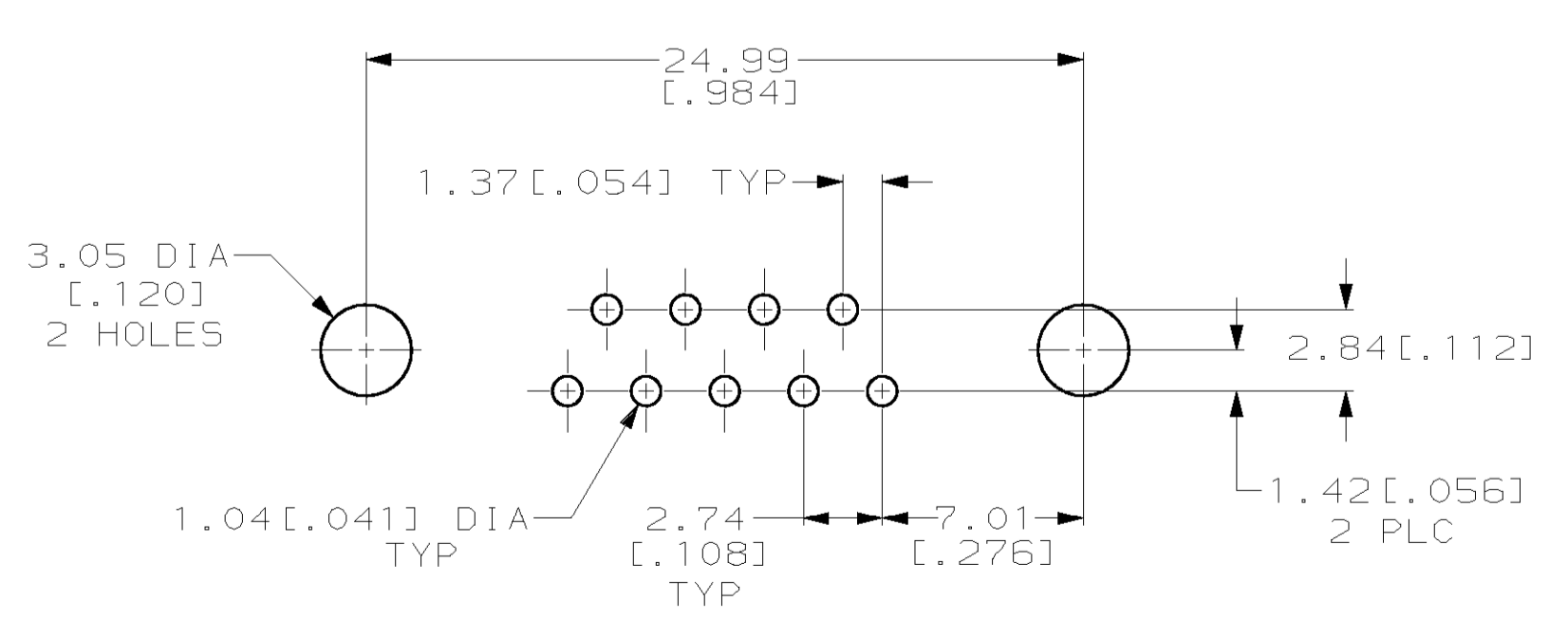
DETAIL C



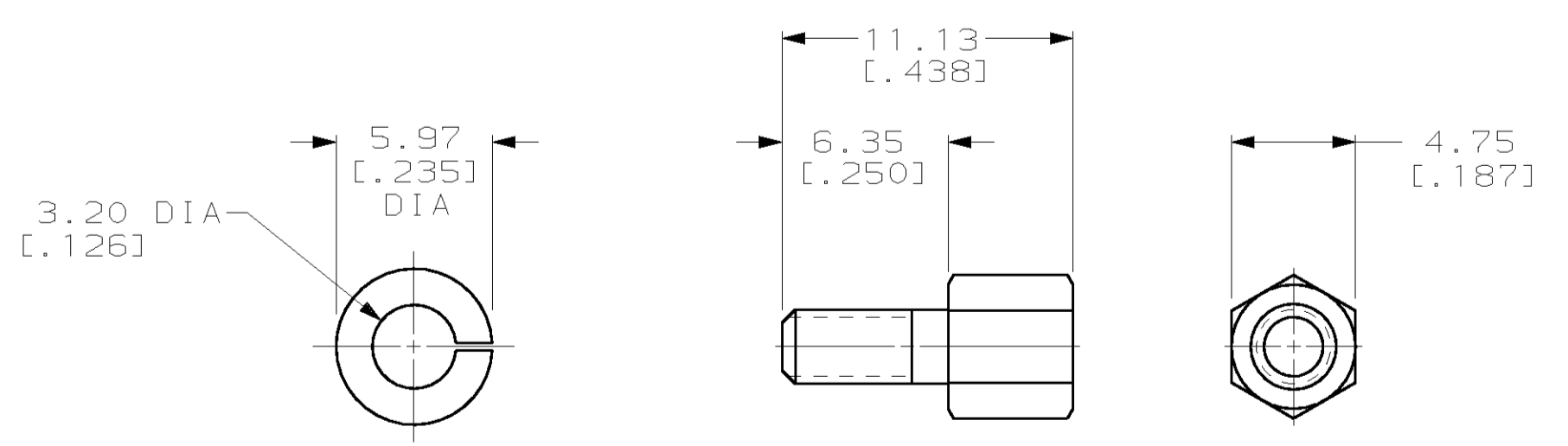
DETAIL D



DETAIL E



P.C. BOARD MOUNTING DIMENSIONS



DETAIL F

LOCKWASHER: QTY 2 CARBON STEEL, ZINC PLATED CLEAR CHROMATE
 4-40 FEMALE SCREWLOCK: QTY 2 CARBON STEEL, 3.81µm [0.000150] MIN ZINC PLATED CLEAR CHROMATE

GROUNDING STRAPS	EYELETS	MOUNTING HARDWARE	CONTACT FINISH	PART NUMBER
YES	YES	-	8	1-747250-5
NO SEE DETAIL B	NO	SEE DETAIL C	8	1-747250-4
		SEE DETAILS D AND F	8	1-747250-3
YES	YES	SEE DETAIL E	8	1-747250-2
		SEE DETAIL D	7	1-747250-1
		-	8	1-747250-0
		-	8	747250-9
		-	8	747250-8
		-	8	747250-7
		-	8	747250-6
-	-	SEE DETAIL E	8	747250-5
		SEE DETAIL D	8	747250-4
		-	8	747250-3
-	-	-	8	747250-2
		-	8	747250-1

THIS DRAWING IS A CONTROLLED DOCUMENT. DWG: W.G. LENKER 05 OCT 99, CHK: R. STONE 06 FEB 90, APP'D: M.D. GALLOWAY 06 FEB 90. NAME: AMP Incorporated, Harrisburg, PA 17105-3608. PRODUCT SPEC: 108-40025. APPLICATION SPEC: 114-40010. SIZE: A1. CAGE CODE: 00779. DRAWING NO: 747250. WEIGHT: -. RESTRICTED TO: CUSTOMER DRAWING. SCALE: 4:1. SHEET: 1 OF 1. REV: 5.