

Distributed by:

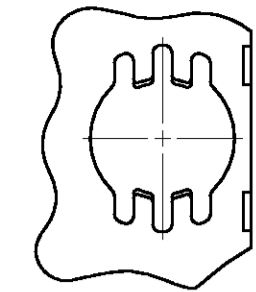
JAMECO[®]
ELECTRONICS

www.Jameco.com ♦ 1-800-831-4242

The content and copyrights of the attached
material are the property of its owner.

Jameco Part Number 863535

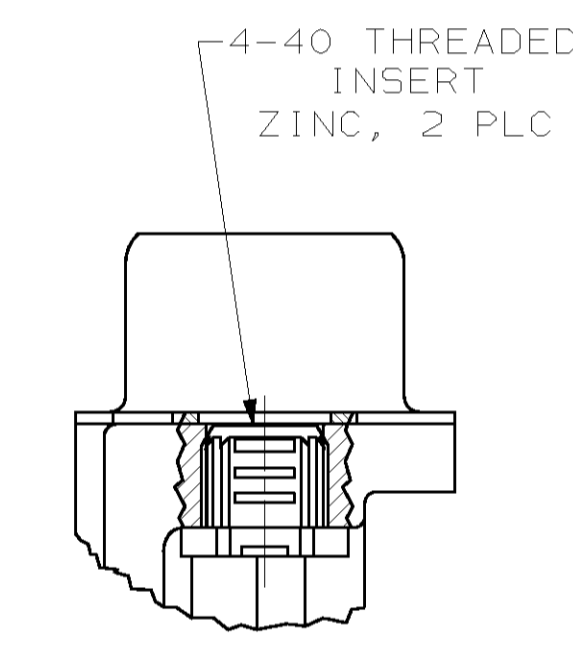
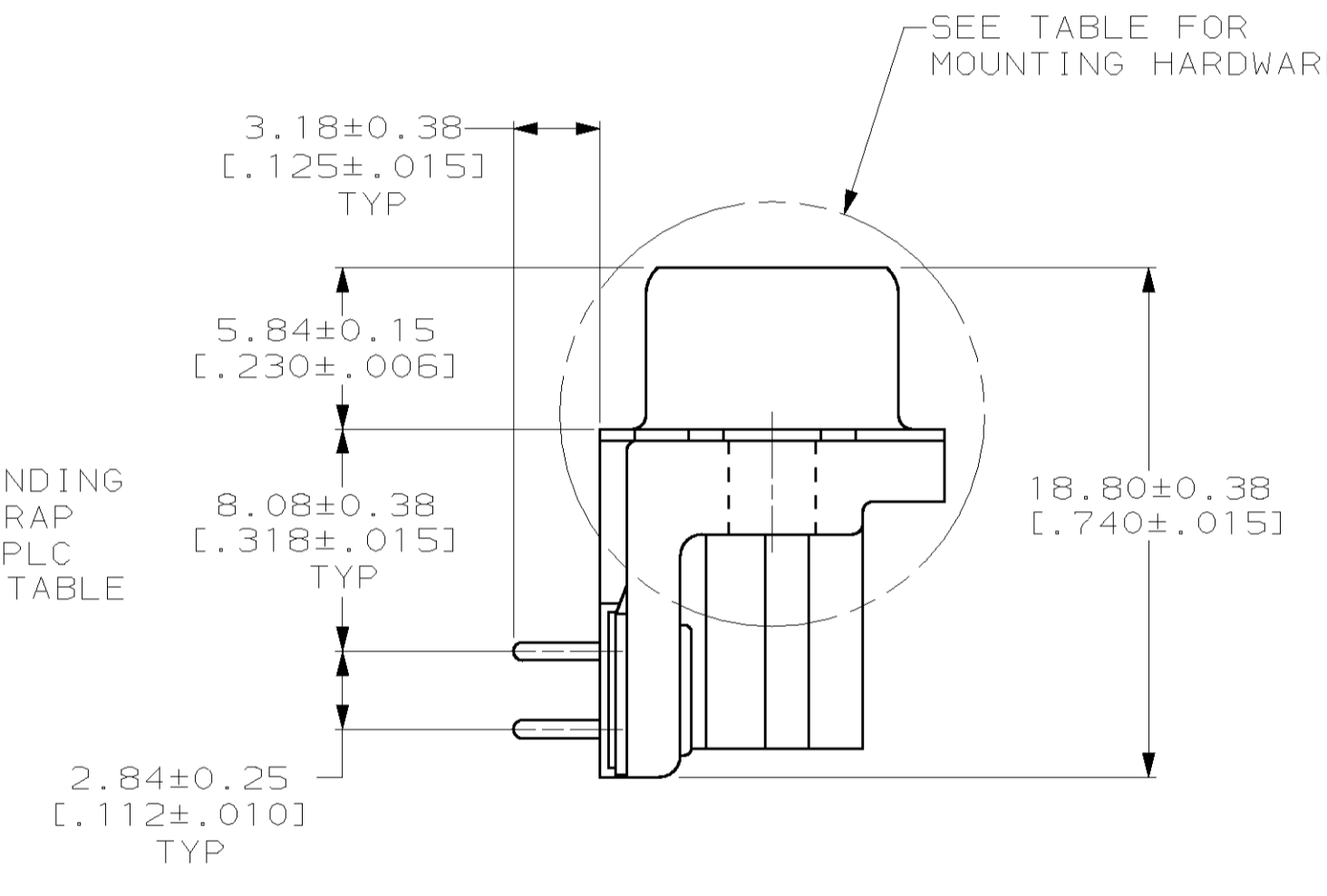
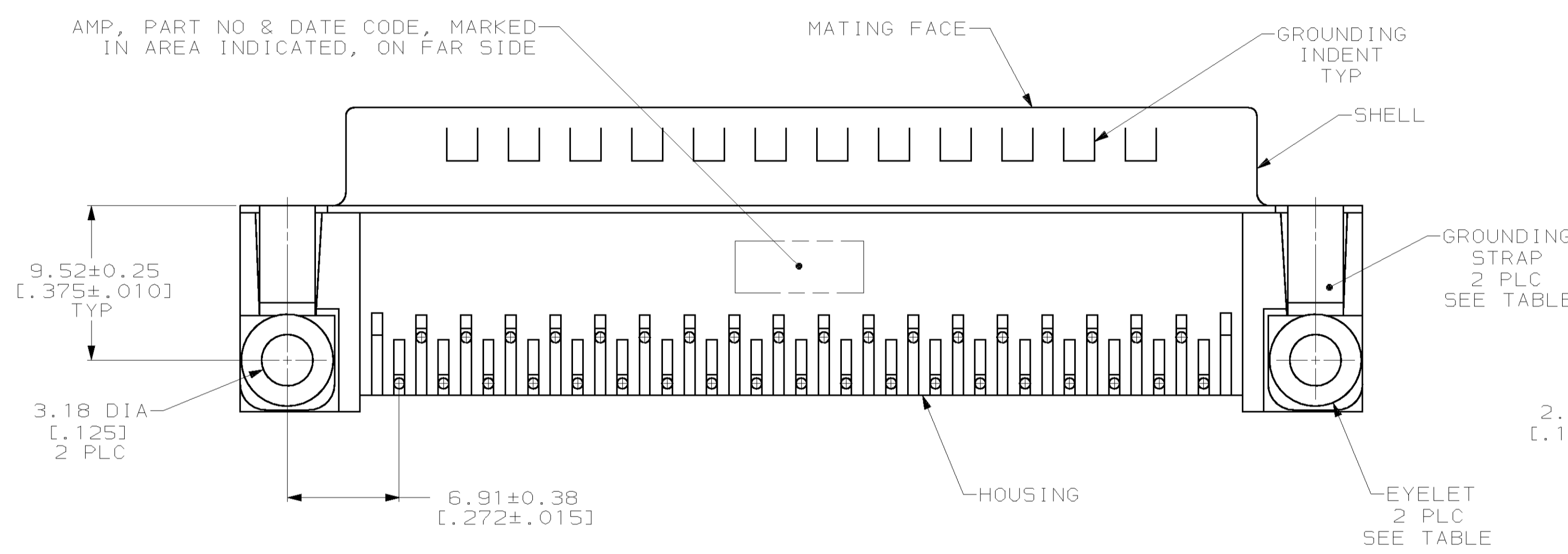
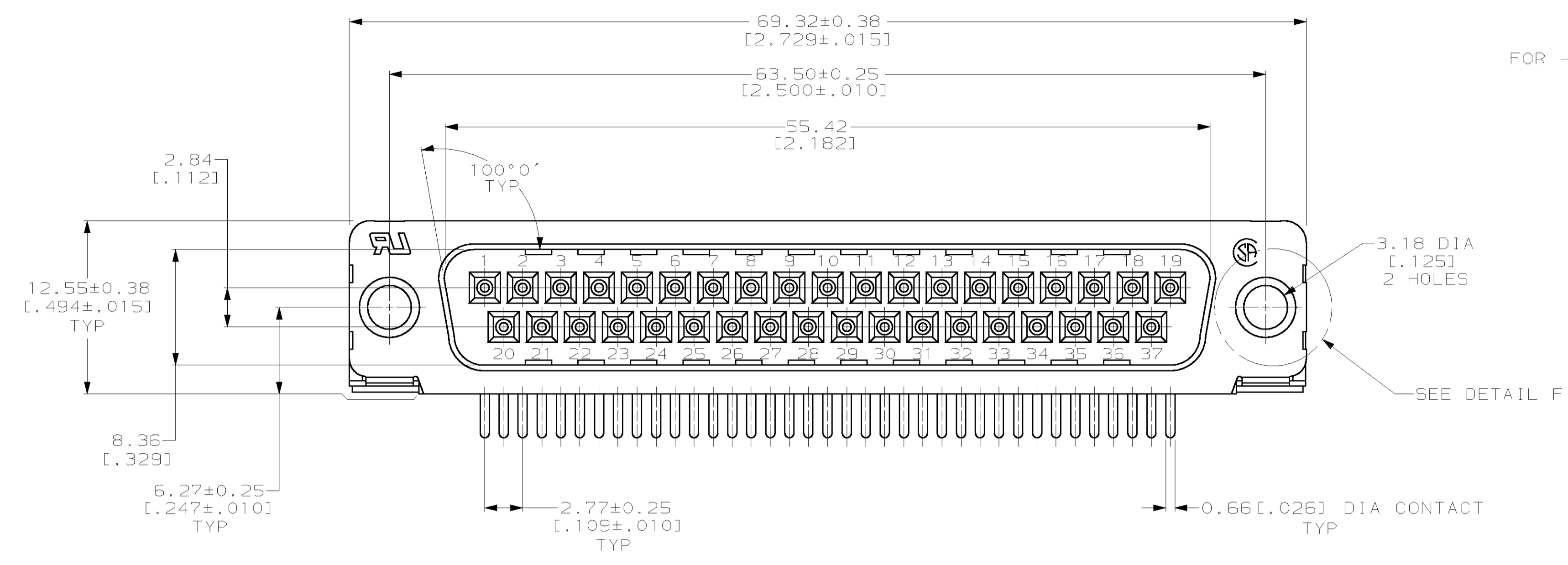
LOC	DIST	REV	DATE	BY	APPV
GP	00	R	19AUG63	JG	SB



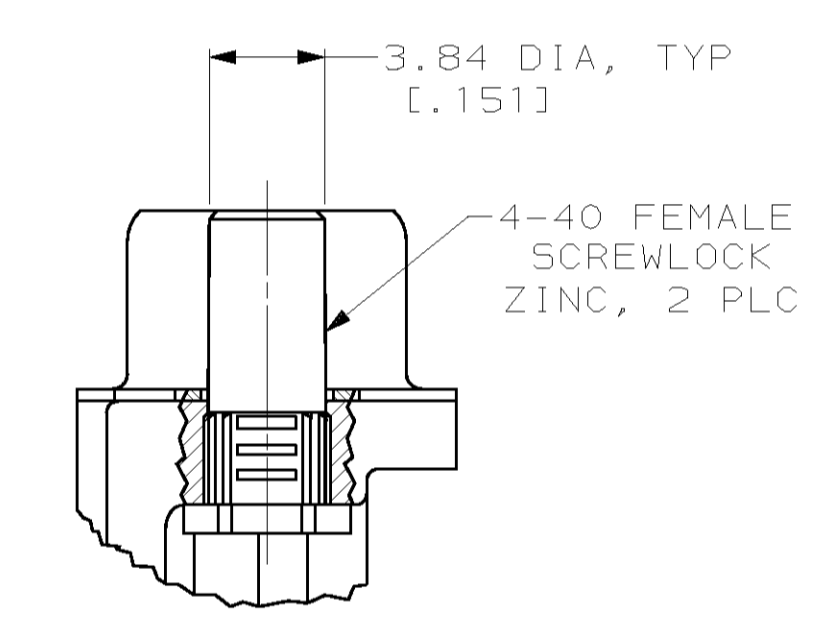
FOR -5, -6, -11 AND -12 ONLY

DETAIL F
2 PLC

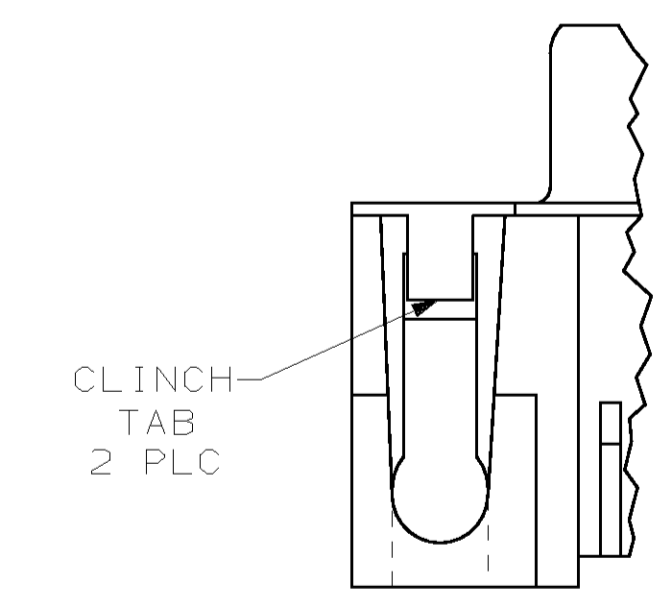
- 1 NYLON OR POLYESTER, FLAME RETARDANT, UL 94V-0 RATED, GLASS FILLED, BLACK.
- 2 BRASS PER MIL-C-50.
- 3 CARBON STEEL PER ASTM A109.
- 4 GOLD PLATING PER MIL-G-45204; NICKEL PLATING PER QQ-N-290; TIN PLATING PER MIL-T-10727; COPPER PLATING PER MIL-C-14550.
- 5 2.54µm [0.000100] MIN TIN OVER 1.27µm [0.000050] MIN COPPER.
- 6 5.08µm [0.000200] MIN TIN OVER COPPER FLASH.
- 7 GOLD FLASH FOR A LENGTH OF 3.81 [0.150] MIN FROM MATING END, 2.54µm [0.000100] MIN TIN OR TIN-LEAD FOR A LENGTH OF 3.56 [0.140] MIN FROM OPPOSITE END, BOTH OVER 1.27µm [0.000050] MIN NICKEL.
- 8 GOLD PLATED FOR LENGTH OF 3.81 [0.150] MIN FROM MATING END, 0.76µm [0.000030] MIN GOLD IN MATED AREA, 2.54µm [0.000100] MIN TIN OR TIN-LEAD FOR A LENGTH OF 3.56 [0.140] MIN FROM OPPOSITE END, BOTH OVER 1.27µm [0.000050] MIN NICKEL.
- 9 OBSOLETE PART NUMBER.
- 11 SUPERSEDED BY 747252-4.
- 12 SUPERSEDED BY 747252-6.
- 13 SUPERSEDED BY 747843-6.



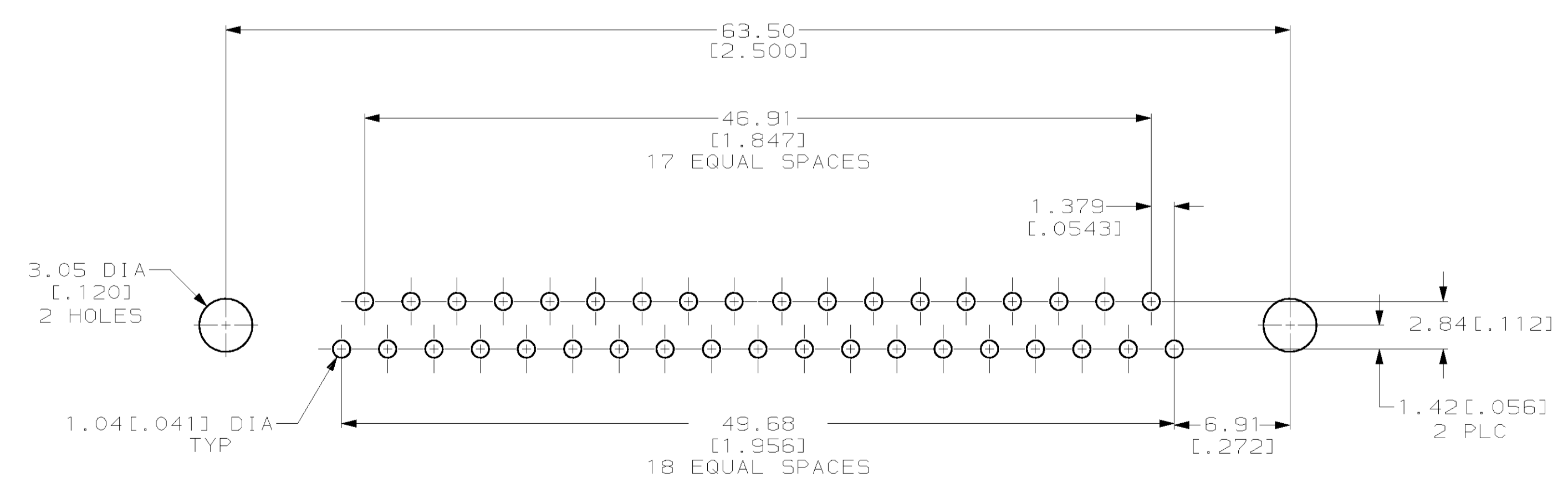
DETAIL D



DETAIL E



DETAIL B



RECOMMENDED P.C. BOARD MOUNTING DIMENSIONS

NO SEE DETAIL B	NO	SEE DETAIL E	1-747252-2
		SEE DETAIL D	1-747252-1
		-	1-747252-0
			747252-9
			747252-8
			747252-7
YES	YES	SEE DETAIL E	747252-6
		SEE DETAIL D	747252-5
			747252-4
			747252-3
			747252-2
			747252-1
GROUNDING STRAPS	EYELETS	MOUNTING HARDWARE	PART NUMBER

THIS DRAWING IS A CONTROLLED DOCUMENT.		DWN M.G. LENKER 07-NOV-89	AMP Incorporated Harrisburg, PA 17105-3608
DIMENSIONS: mm [INCHES]		CHK R. STONE 05-FEB-90	NAME M.D. GALLOWAY 06-FEB-90
TOLERANCES UNLESS OTHERWISE SPECIFIED:		PRODUCT SPEC 108-40025	
0 PLC ±.015		APPLICATION SPEC 114-40010	
1 PLC ±.010		SIZE A1	
2 PLC ±.008		CAGE CODE DRAWING NO 00779	
3 PLC ±0.13 [0.005]		RESTRICTED TO 747252	
4 PLC ±.005		SCALE 4:1	
ANGLES ±.2°		SHEET 1 OF 1	
MATERIAL: HOUSING: NYLON 6/6	CONTACT: SEE TABLE	CUSTOMER DRAWING	
SHELL: BRASS	EYELETS: CARBON STEEL	REV R	
CONTACTS: COPPER	INSERTS: CLEAN CHROMATE		
SHELL: CLEAR CHROMATE	SCREWLOCKS: CLEAR CHROMATE		