

Distributed by:

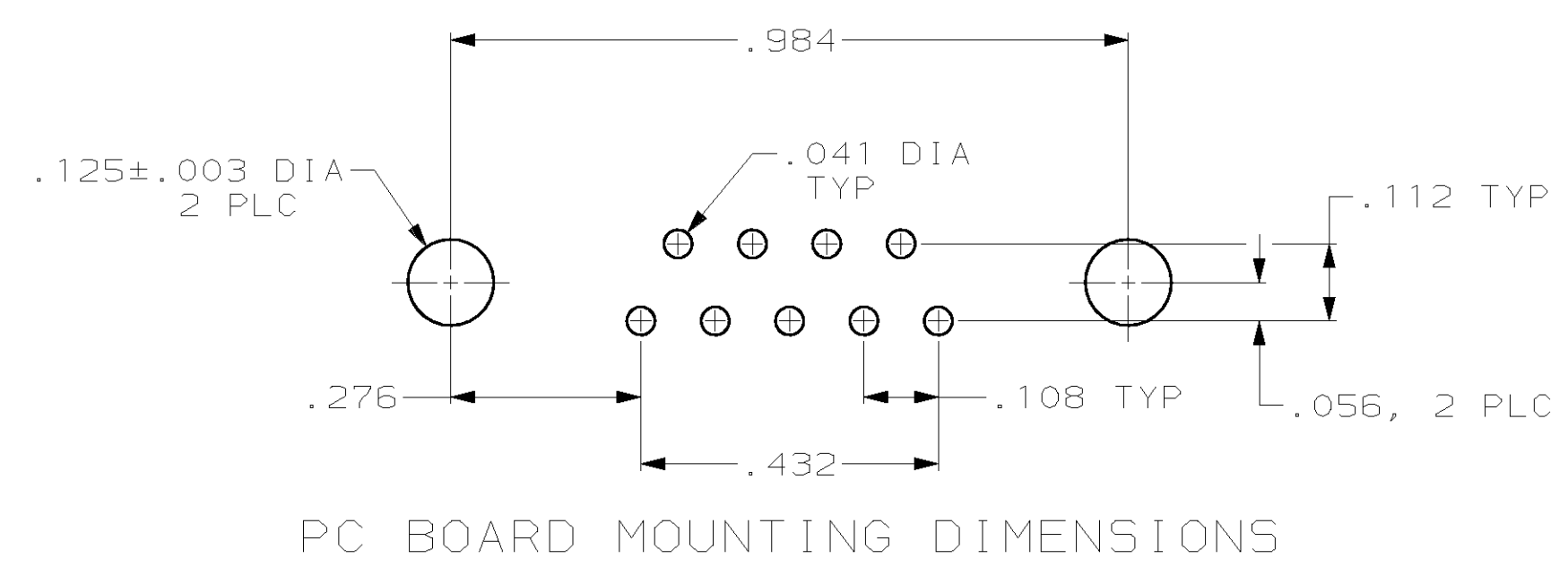
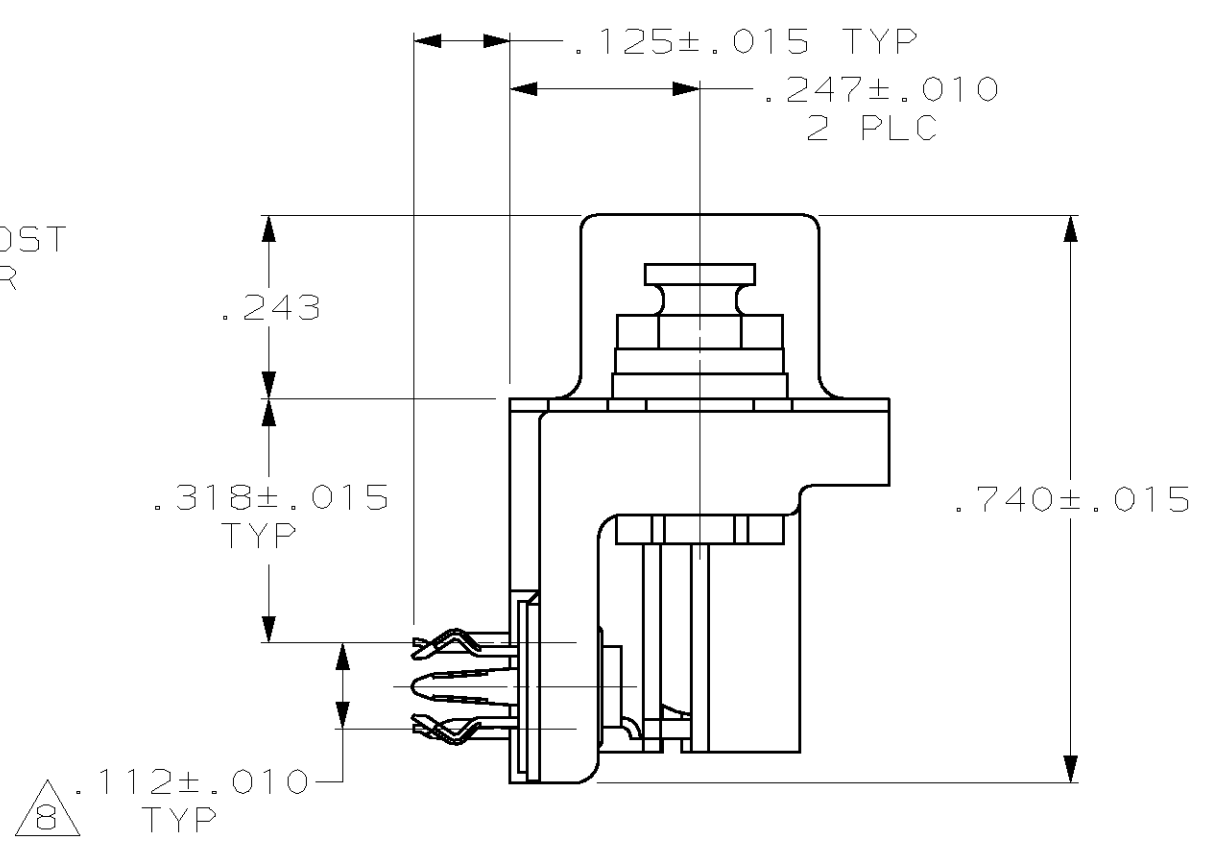
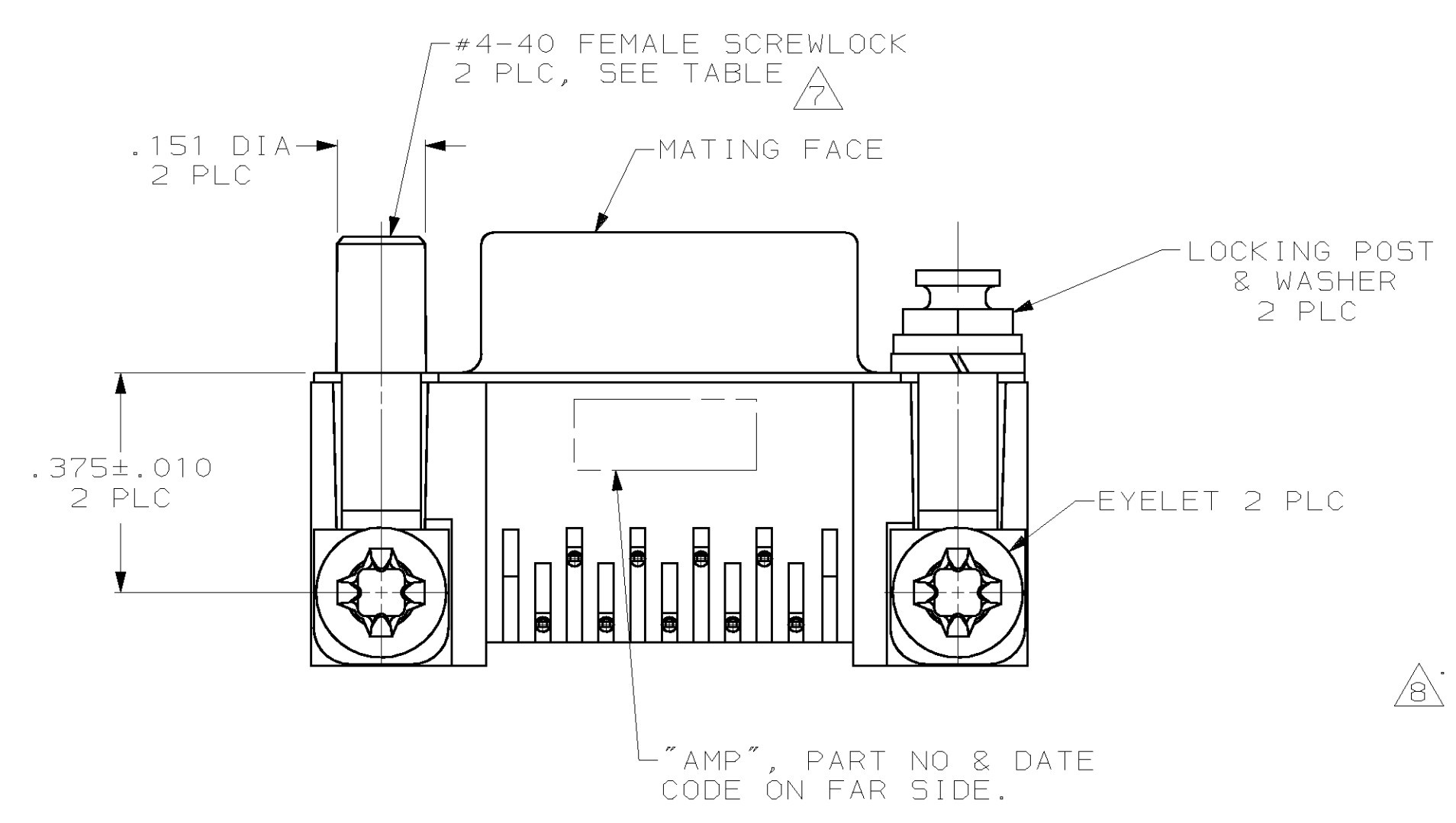
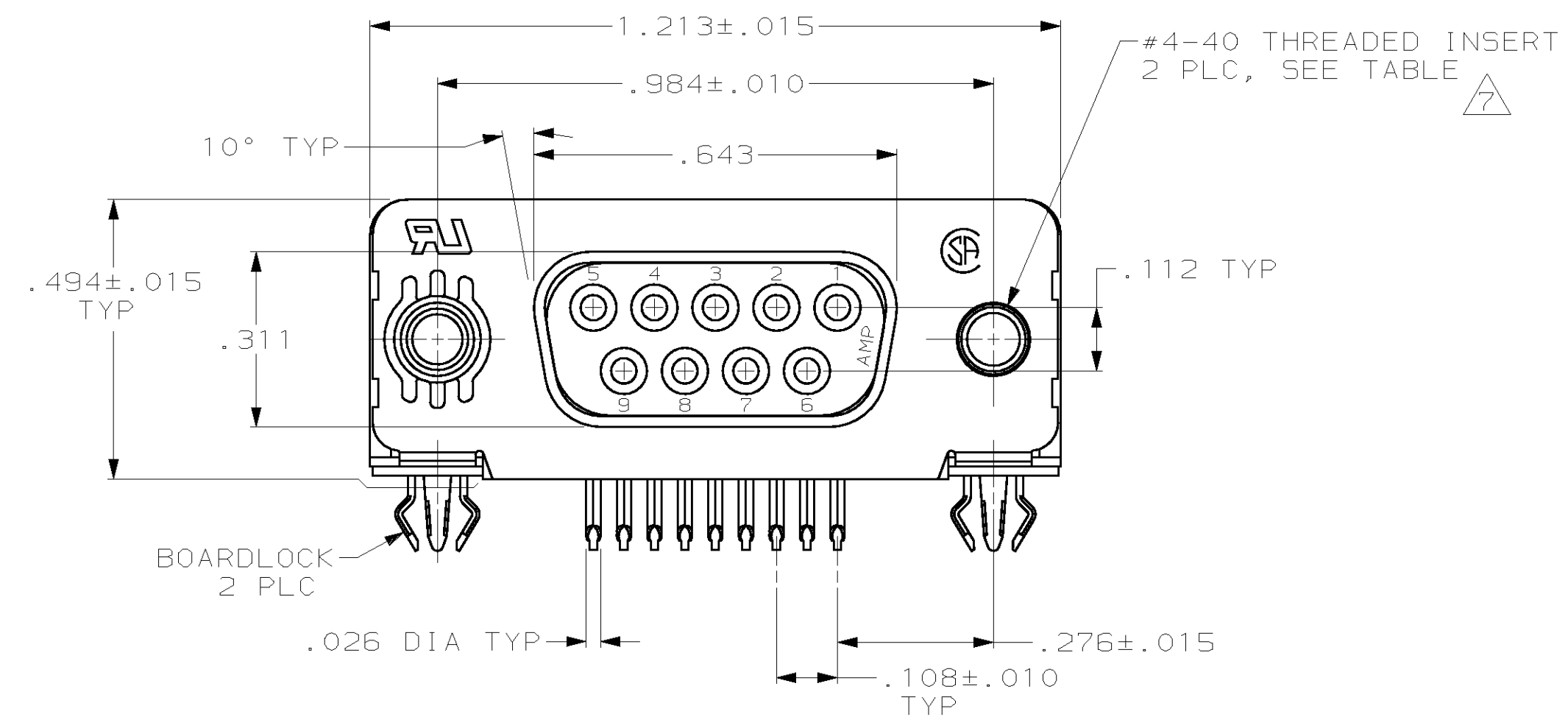
**JAMECO**<sup>®</sup>  
ELECTRONICS

**www.Jameco.com ♦ 1-800-831-4242**

The content and copyrights of the attached  
material are the property of its owner.

Jameco Part Number 837513

LOC		DIST		REVISIONS			
SY	LYR	DESCRIPTION	DATE	DWN	APVD		
U		REVISED PER EC 0513-0176-03	28MAY03	JG	CC		



1. CONNECTOR MATES WITH ANY 9 POSN PLUG IN AMPLIMITE™ SERIES.
2. MOLDED PARTS: FLAME RETARDANT 94V-0 RATED THERMOPLASTIC, BLACK.  
SHELL: STEEL PER ASTM A109  
CONTACTS: PHOSPHOR BRONZE PER QQ-B-750  
EYELETS: BRASS  
SCREWLOCKS: ZINC  
INSERTS: ZINC  
BOARDLOCKS: COPPER ALLOY
3. SHELL: .000100 MIN TIN OR TIN-LEAD  
CONTACTS: SEE TABLE  
EYELETS: TIN  
SCREWLOCKS: CLEAR CHROMATE  
BOARDLOCKS: SEE TABLE  
INSERTS: CLEAR CHROMATE
4. GOLD PLATING PER MIL-G-45204, NICKEL PLATING PER QQ-N-290, TIN PLATING PER MIL-T-10727.
5. GOLD FLASH FOR A DISTANCE OF .100 MIN FROM MATING END, .000100-.000200 BRIGHT TIN OR BRIGHT TIN-LEAD ON TERMINATION END, ALL OVER .000050 NICKEL ON ENTIRE CONTACT.
6. .000030 GOLD FOR A DISTANCE OF .100 MIN FROM MATING END, .000100-.000200 BRIGHT TIN OR BRIGHT TIN-LEAD ON TERMINATION END, ALL OVER .000050 NICKEL ON ENTIRE CONTACT.
7. SCREWLOCKS & INSERTS WILL WITHSTAND 4 IN LBS TORQUE & 20 LBS PULL OUT FORCE FROM MATING FACE SIDE.
8. DIMENSION APPLIES TO CENTER LINE OF CONTACTS.

-	FEMALE SCREWLOCKS	TIN	6	7-747844-1
-	FEMALE SCREWLOCKS	TIN	5	7-747844-0
TRAY	THREADED INSERTS	TIN	6	6-747844-9
-	THREADED INSERTS	TIN	5	6-747844-8
-	.125 DIA HOLES	TIN	6	6-747844-7
SUPSD BY 747844-4	TUBE	THREADED INSERTS	TIN-LEAD	747844-8
SUPSD BY 747844-4	-	INSERT/LOCKING POST & WASHERS	TIN-LEAD	747844-7
-	FEMALE SCREWLOCKS	TIN-LEAD	6	747844-6
-	FEMALE SCREWLOCKS	TIN-LEAD	5	747844-5
TRAY	THREADED INSERTS	TIN-LEAD	6	747844-4
-	THREADED INSERTS	TIN-LEAD	5	747844-3
-	.125 DIA HOLES	TIN-LEAD	6	747844-2
SUPSD BY 747844-2	-	.125 DIA HOLES	TIN-LEAD	747844-1
PACKAGING	MOUNTING HARDWARE	BOARDLOCK FINISH	CONTACT FINISH 4	PART NUMBER

THIS DRAWING IS A CONTROLLED DOCUMENT.

DIMENSIONS: INCHES	TOLERANCES UNLESS OTHERWISE SPECIFIED:	DWN: J. GALLUCCI 28 JAN 91	AMP Incorporated Harrisburg, PA 17105-3608
0 PLC ±.005	1 PLC ±.005	CHK: H.G. LENKER 15 APR 91	NAME: RECEPTACLE ASSEMBLY, SIZE 1, RIGHT ANGLE, .318 SERIES, FRONT METAL SHELL, .026 DIA POSTS, BOARDLOCKS, AMPLIMITE™ HD-20
2 PLC ±.005	3 PLC ±.005	APP'D: J. YOUNG 15 APR 91	PRODUCT SPEC: 108-40025
4 PLC ±.005	ANGLES 2°	SIZE: A1	CAGE CODE: 00779
MATERIAL: 3	FINISH: 3	WEIGHT: -	DRAWING NO: 747844
		CUSTOMER DRAWING	SCALE: 4:1 SHEET 1 OF 1 REV U