

Distributed by:

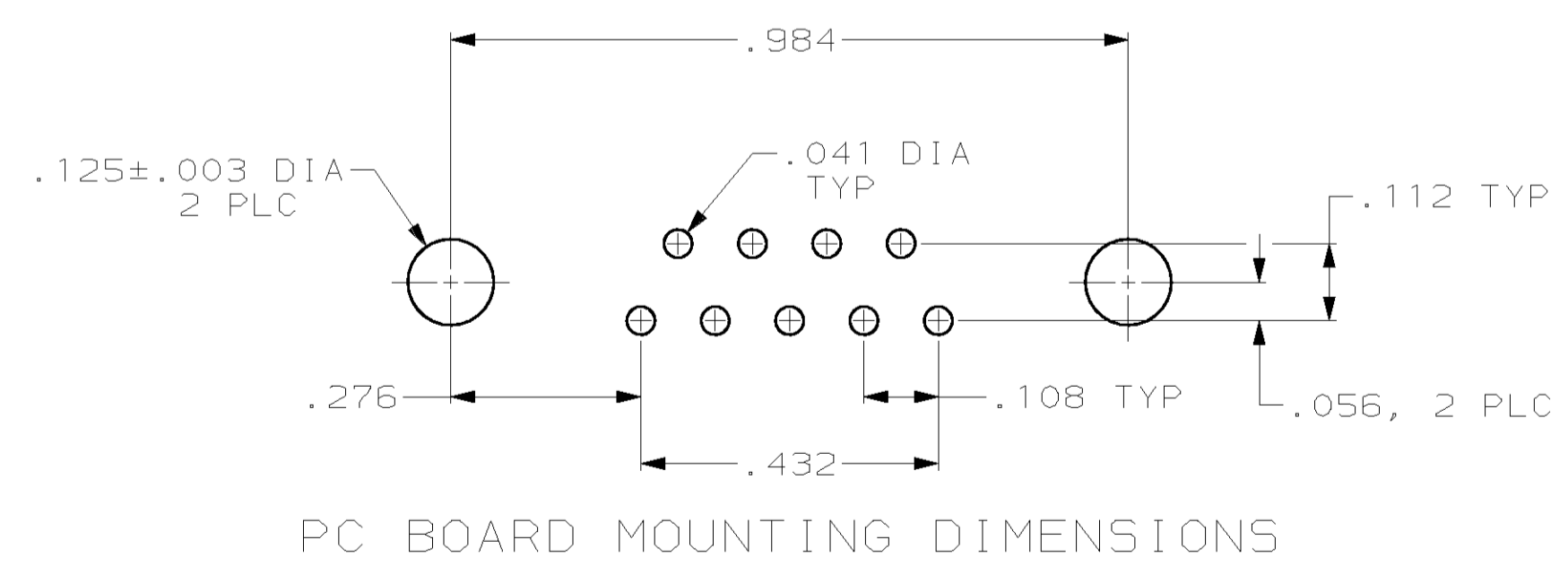
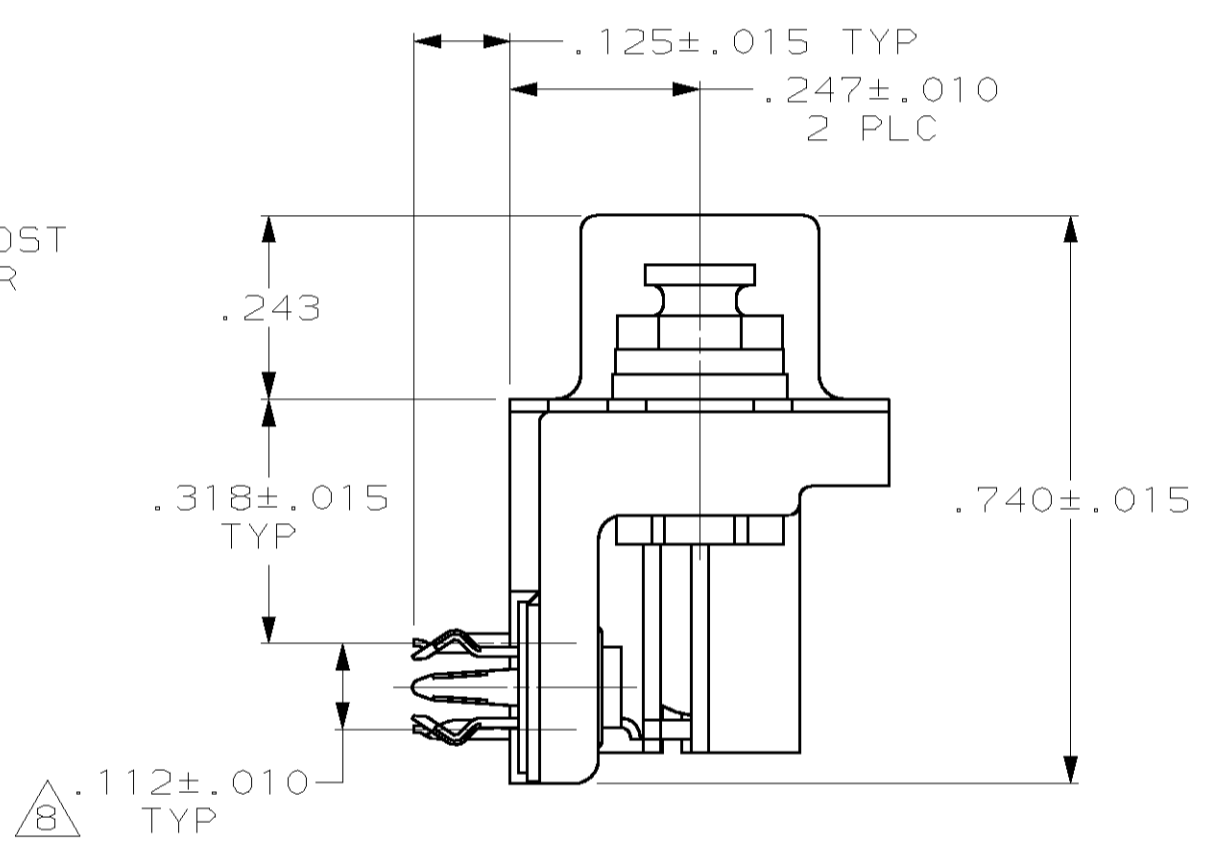
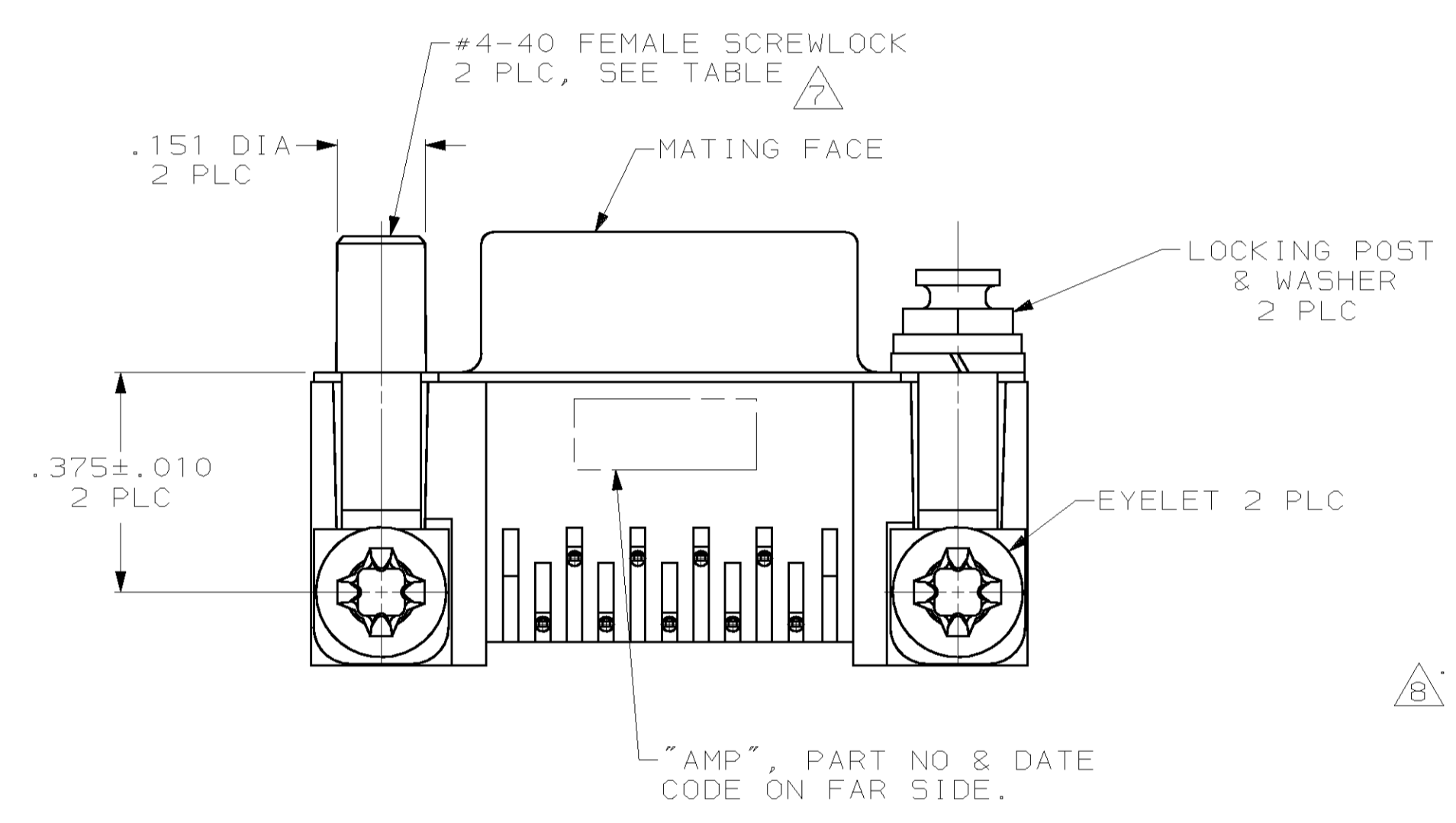
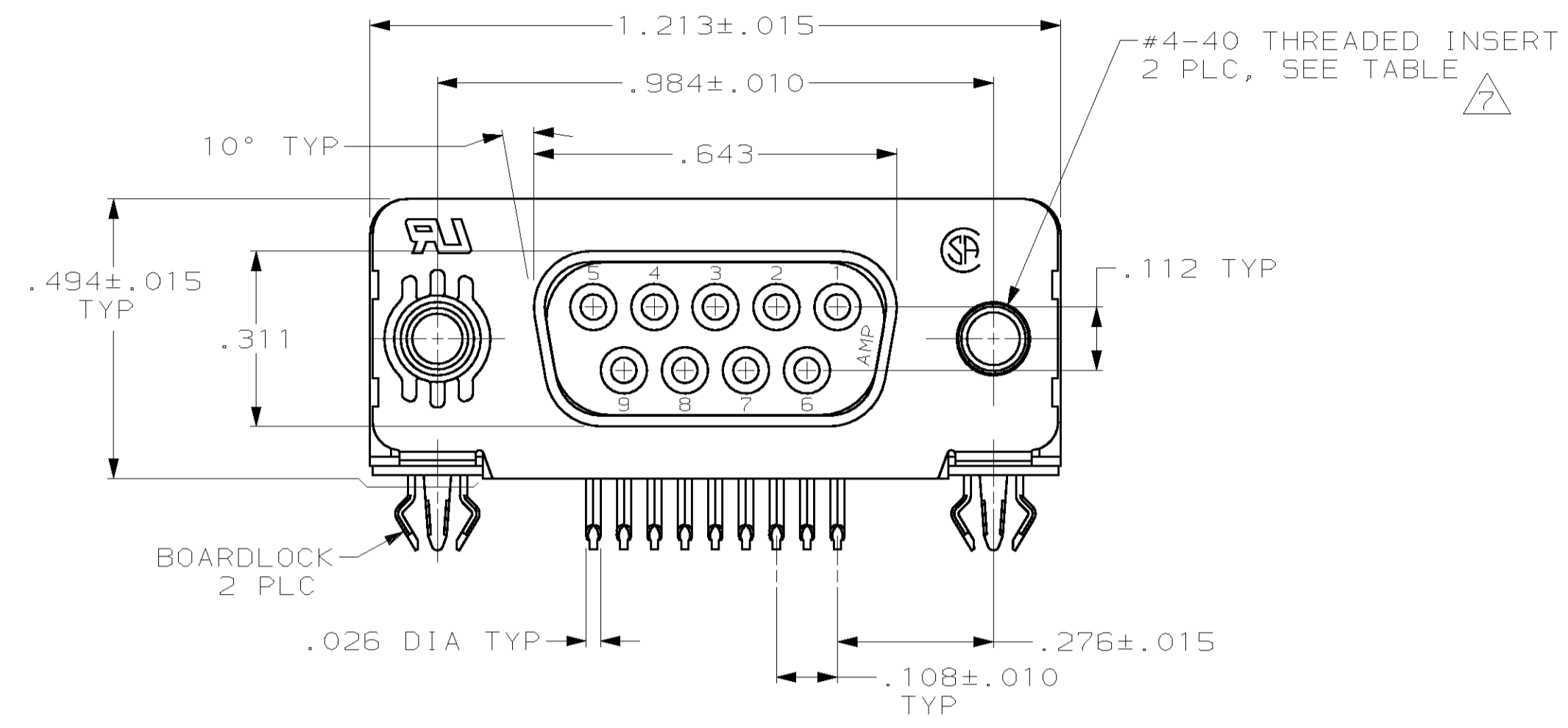
JAMECO[®]
ELECTRONICS

www.Jameco.com ♦ 1-800-831-4242

The content and copyrights of the attached
material are the property of its owner.

Jameco Part Number 614521

LOC	DIST	REV	LYR	DESCRIPTION	DATE	DWN	APVD
GP	00			REVISED PER EC 0513-0176-03	28MAY03	JG	CC



1. CONNECTOR MATES WITH ANY 9 POSN PLUG IN AMPLIMITE™ SERIES.
2. MOLDED PARTS: FLAME RETARDANT 94V-0 RATED THERMOPLASTIC, BLACK.
SHELL: STEEL PER ASTM A109
CONTACTS: PHOSPHOR BRONZE PER QQ-B-750
EYELETS: BRASS
SCREWLOCKS: ZINC
INSERTS: ZINC
BOARDLOCKS: COPPER ALLOY
3. SHELL: .000100 MIN TIN OR TIN-LEAD
CONTACTS: SEE TABLE
EYELETS: TIN
SCREWLOCKS: CLEAR CHROMATE
BOARDLOCKS: SEE TABLE
INSERTS: CLEAR CHROMATE
4. GOLD PLATING PER MIL-G-45204, NICKEL PLATING PER QQ-N-290, TIN PLATING PER MIL-T-10727.
5. GOLD FLASH FOR A DISTANCE OF .100 MIN FROM MATING END, .000100-.000200 BRIGHT TIN OR BRIGHT TIN-LEAD ON TERMINATION END, ALL OVER .000050 NICKEL ON ENTIRE CONTACT.
6. .000030 GOLD FOR A DISTANCE OF .100 MIN FROM MATING END, .000100-.000200 BRIGHT TIN OR BRIGHT TIN-LEAD ON TERMINATION END, ALL OVER .000050 NICKEL ON ENTIRE CONTACT.
7. SCREWLOCKS & INSERTS WILL WITHSTAND 4 IN LBS TORQUE & 20 LBS PULL OUT FORCE FROM MATING FACE SIDE.
8. DIMENSION APPLIES TO CENTER LINE OF CONTACTS.

-	FEMALE SCREWLOCKS	TIN	6	7-747844-1
-	FEMALE SCREWLOCKS	TIN	5	7-747844-0
TRAY	THREADED INSERTS	TIN	6	6-747844-9
-	THREADED INSERTS	TIN	5	6-747844-8
-	.125 DIA HOLES	TIN	6	6-747844-7
SUPSD BY 747844-4	TUBE	THREADED INSERTS	TIN-LEAD	747844-8
SUPSD BY 747844-4	-	INSERT/LOCKING POST & WASHERS	TIN-LEAD	747844-7
-	FEMALE SCREWLOCKS	TIN-LEAD	6	747844-6
-	FEMALE SCREWLOCKS	TIN-LEAD	5	747844-5
TRAY	THREADED INSERTS	TIN-LEAD	6	747844-4
-	THREADED INSERTS	TIN-LEAD	5	747844-3
-	.125 DIA HOLES	TIN-LEAD	6	747844-2
SUPSD BY 747844-2	-	.125 DIA HOLES	TIN-LEAD	747844-1
PACKAGING	MOUNTING HARDWARE	BOARDLOCK FINISH	CONTACT FINISH	PART NUMBER

THIS DRAWING IS A CONTROLLED DOCUMENT.

DIMENSIONS: INCHES	TOLERANCES UNLESS OTHERWISE SPECIFIED:	DWN: J. GALLUCCI 28 JAN 91	AMP Incorporated Harrisburg, PA 17105-3608
0 PLC ±.005	1 PLC ±.005	CHK: H.G. LENKER 15 APR 91	NAME: RECEPTACLE ASSEMBLY, SIZE 1, RIGHT ANGLE, .318 SERIES, FRONT METAL SHELL, .026 DIA POSTS, BOARDLOCKS, AMPLIMITE™ HD-20
2 PLC ±.005	3 PLC ±.005	APP'D: J. YOUNG 15 APR 91	PRODUCT SPEC: 108-40025
4 PLC ±.005	ANGLES 2°	SIZE: A1	CAGE CODE: 00779
MATERIAL: 3	FINISH: 3	WEIGHT: -	DRAWING NO: 747844
CUSTOMER DRAWING		SCALE: 4:1	SHEET 1 OF 1