



Have a Question?
Chat with a Product Information Specialist

What can we help you find?

[Products](#) [Industries](#) [Resources](#) [About TE](#) [My Account](#) [Innovation](#) [Support Center](#)

748364-1 Product Details

[Share](#) [Print](#) [Email](#)



748364-1

TE Internal Number: 748364-1

Active

[View 3D PDF](#)

Standard Cable Connectors

Always EU RoHS/ELV Compliant (Statement of Compliance)

Product Highlights:

- Connector
- Product Series = HDP-22 (Crimp Snap)
- 15 Positions
- Without Enclosure
- Connector Style = Plug

[View all Features](#)

Quick Links

- ▶ [Pricing & Availability](#)
- ▶ [Search for Tooling](#)
- ▶ [View Mating Products \(4\)](#)
- ▶ [View Plug Kits \(2\)](#)
- ▶ [Product Feature Selector](#)
- ▶ [Contact Us About This Product](#)

[Add to My Part List](#) [Request Sample](#) [Find Similar Products](#) [Buy Product](#)

Documentation & Additional Information	
<p>Product Drawings:</p> <ul style="list-style-type: none"> • PLUG CONNECTOR, SIZE 1, 15 POSITION, AMPLIMITE HDP-22 (PDF, English) <p>Catalog Pages/Data Sheets:</p> <ul style="list-style-type: none"> • AMPLIMITE Subminiature D Connectors - Cable Connectors (PDF, English) <p>Product Specifications:</p> <ul style="list-style-type: none"> • AMPLIMITE* HD-22 Front Metal Shell, PCB Mounted Conn... (PDF, English) • AMPLIMITE* HDP-22 Subminiature D Connector with Remo... (PDF, English) <p>Application Specifications:</p> <ul style="list-style-type: none"> • AMPLIMITE HDP-22 Connectors and High-Density 22DF Co... (PDF, English) <p>Instruction Sheets:</p> <ul style="list-style-type: none"> • AMPLIMITE HDP-22 Connectors (Plugs and Receptacles w... (PDF, English) • Insertion/Extraction Tool 91285-1 and Replacement Ti... (PDF, English) <p>CAD Files: (CAD Format & Compression Information)</p> <ul style="list-style-type: none"> • 2D Drawing (DXF, Version H) • 3D Model (IGES, Version H) • 3D Model (STEP, Version H) 	<p>Additional Information:</p> <ul style="list-style-type: none"> • Product Line Information <p>Related Products:</p> <ul style="list-style-type: none"> • Tooling • Mating Products (4) • Plug Kits (2)

[List all Documents](#)

Product Features (Please use the Product Drawing for all design activity)	
<p>Product Type Features:</p> <ul style="list-style-type: none"> • Product Type = Connector • Product Series = HDP-22 (Crimp Snap) • Mating Connector Lock = Without • Shell Size = 1 • Shell Type = Front Metal Shell • Grounding Indents = With • Grade = Standard • Color = Black • Shell Material = Steel <p>Body Features:</p> <ul style="list-style-type: none"> • Shell Plating = Tin • Insert Material = Glass-Filled Nylon <p>Housing Features:</p> <ul style="list-style-type: none"> • Enclosure = Without • Connector Style = Plug 	<p>Configuration Features:</p> <ul style="list-style-type: none"> • Number of Positions = 15 • Preloaded = No <p>Industry Standards:</p> <ul style="list-style-type: none"> • RoHS/ELV Compliance = RoHS compliant, ELV compliant • Lead Free Solder Processes = Not relevant for lead free process • RoHS/ELV Compliance History = Always was RoHS compliant • Insert Flammability Rating = UL 94V-0 <p>Packaging Features:</p> <ul style="list-style-type: none"> • Packaging Quantity = 50 <p>Other:</p> <ul style="list-style-type: none"> • Brand = AMP

Corporate Information

[About TE](#)

Quick Links

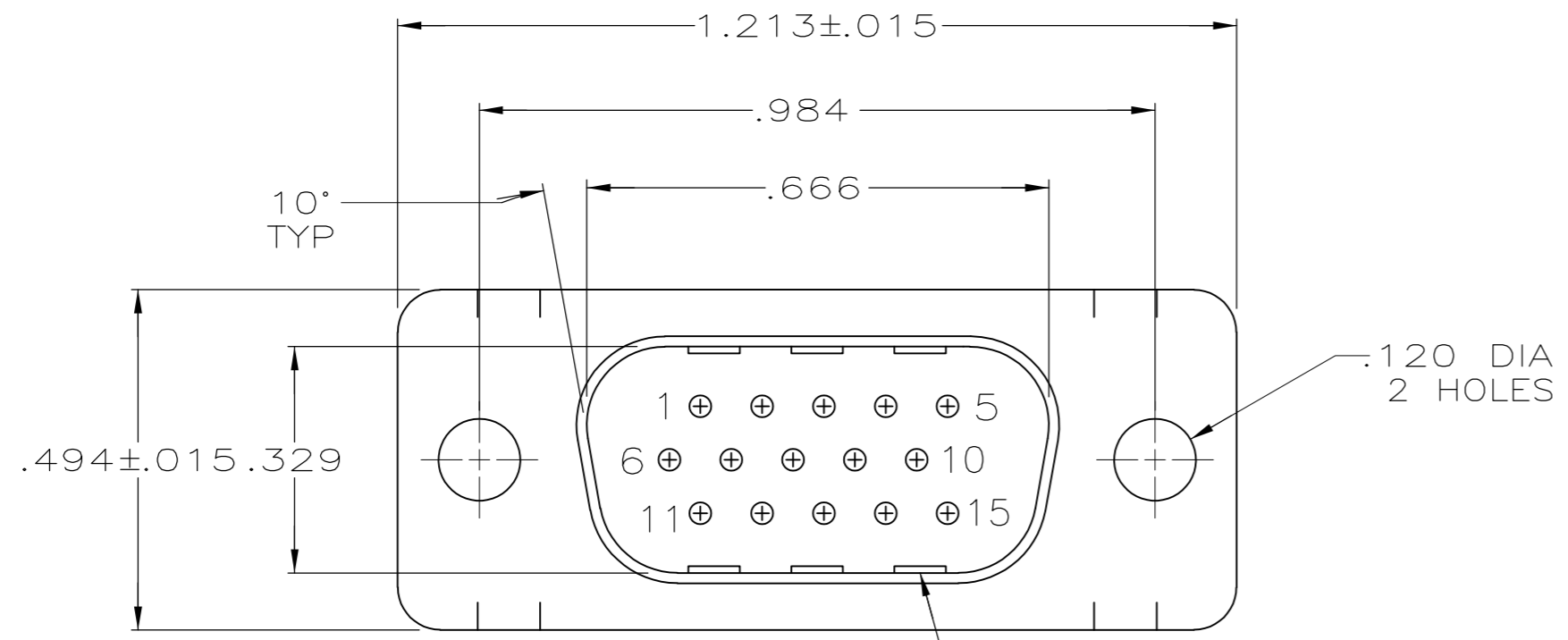
[Distributor Inventory](#)

Customer Support

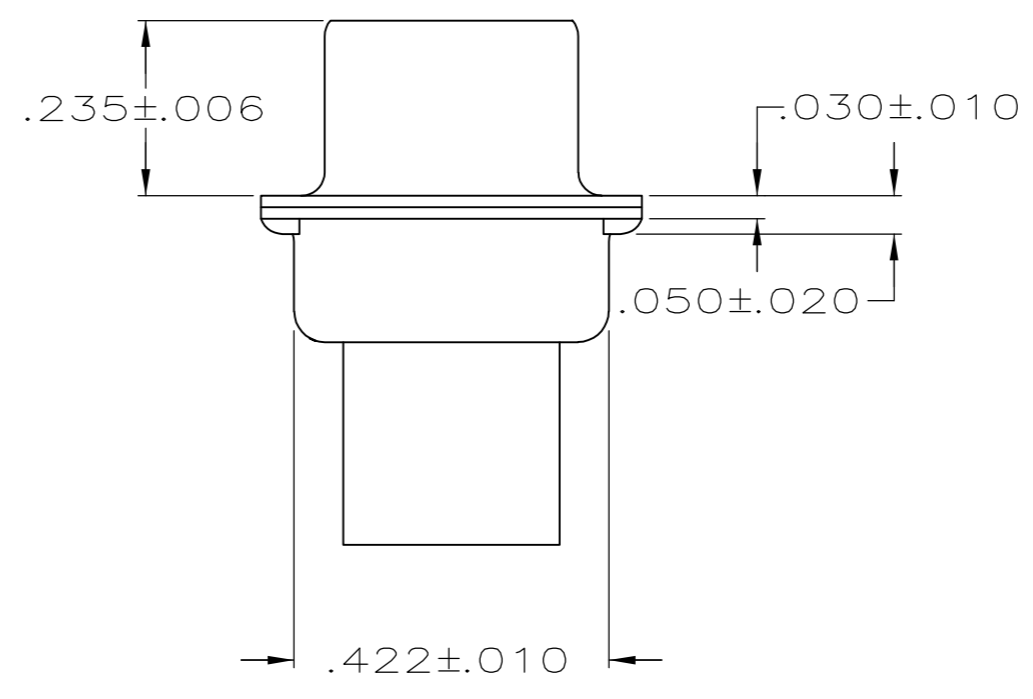
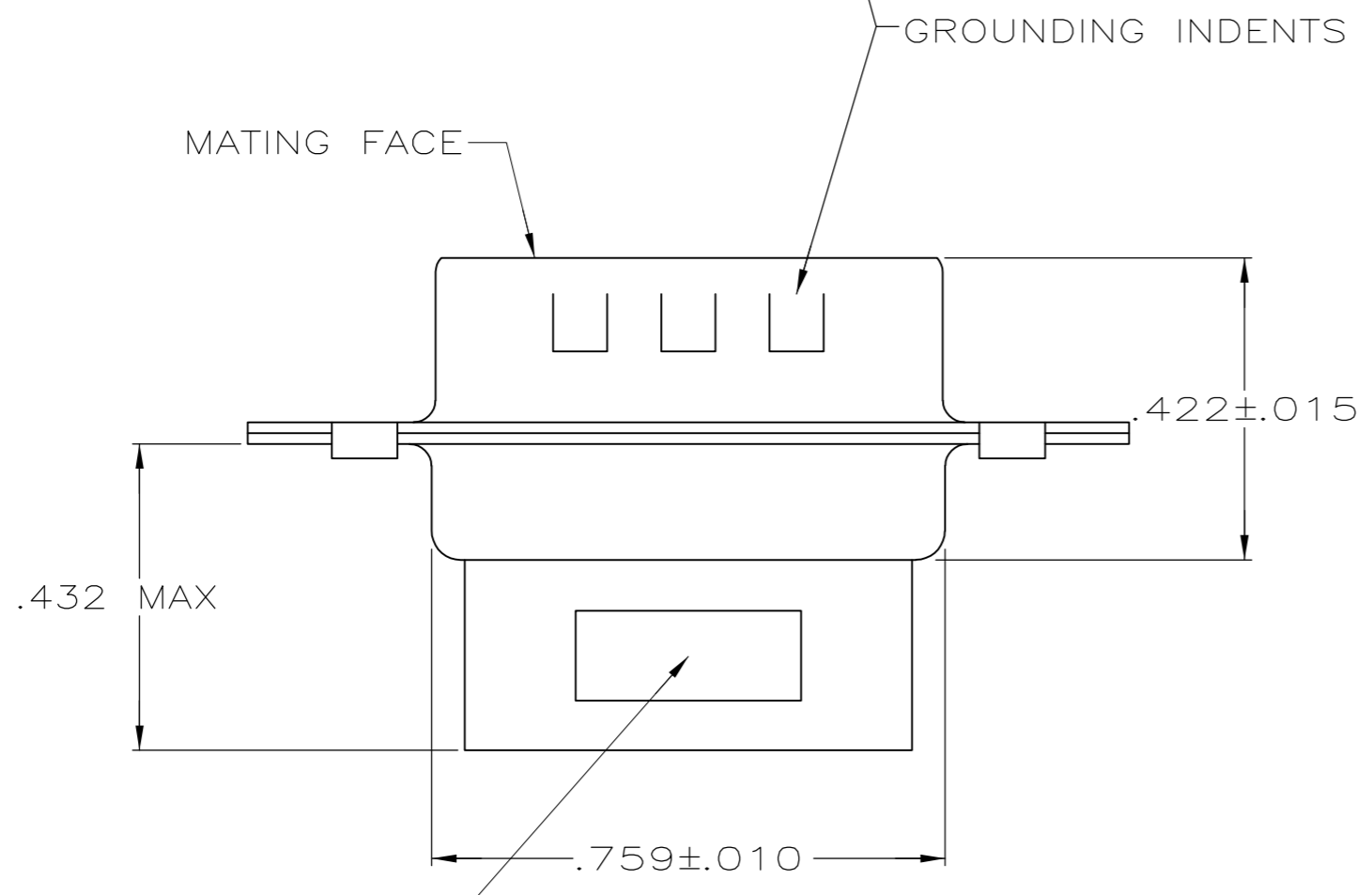
[Email or Chat With Us](#)

THIS DRAWING IS UNPUBLISHED. RELEASED FOR PUBLICATION
 © COPYRIGHT - By - ALL RIGHTS RESERVED.

LOC	DIST	REVISIONS			
P	LTR	DESCRIPTION	DATE	DWN	APVD
BD	48	H1	REVISED PER ECO-11-004835	11MAR11	RK HMR



- CONNECTOR ACCEPTS SIZE 22 DF PIN CONTACTS, RETENTION TINES ARE AN INTEGRAL PART OF INSERT.
- MATERIAL:
MOLDED PARTS - FLAME RETARDANT, 94V-0 RATED, GLASS FILLED NYLON, BLACK.
SHELLS - STEEL PER ASTM A109.
- FINISH:
SHELLS - TIN OR TIN-LEAD PLATED PER MIL-T-10727.
- FINISH:
SHELLS - TIN PLATED PER MIL-T-10727 OVER COPPER PER MIL-C-14550.
- 748364-5 IS FOR AMP THAILAND. PART HAS CIRCUIT HOLE #9 BLOCKED.



AMP, PART NO. & DATE CODE, MARKED IN AREA INDICATED, ON FAR SIDE

SUPERSEDED BY 748364-1	STANDARD	4	YES	748364-5
SUPERSEDED BY 748364-1	SMALL PACK	4	YES	748364-4
OBSOLETE	STANDARD	3	NO	748364-2
	STANDARD	4	YES	748364-1
	PACKAGING TYPE	SHELL FINISH	GROUNDING INDENTS	PART NUMBER

THIS DRAWING IS A CONTROLLED DOCUMENT.

DWN	C.RICHARD	12-3-86
CHK	S.WELDON	12-4-86
APVD	L. BREKOSKY	12-4-86

TE Connectivity

PLUG CONNECTOR, SIZE 1, 15 POSITION, AMPLIMITE™ HDP-22

SIZE	CAGE CODE	DRAWING NO	RESTRICTED TO
A2	00779	C=748364	-

CUSTOMER DRAWING SCALE 4:1 SHEET 1 OF 1 REV H1