

Distributed by:

**JAMECO**<sup>®</sup>  
ELECTRONICS

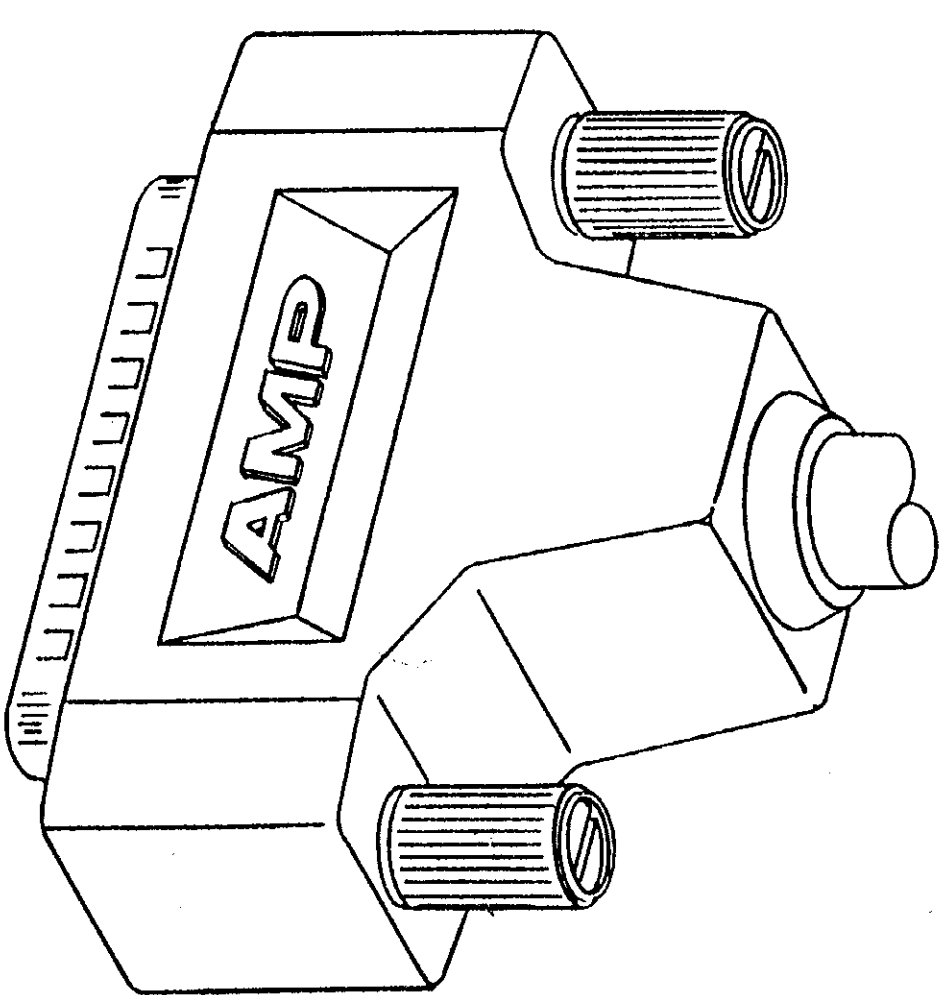
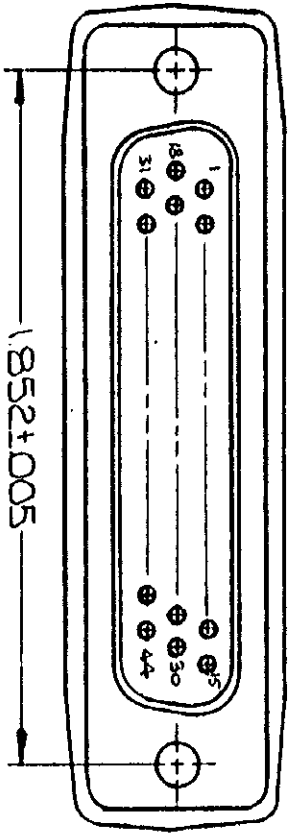
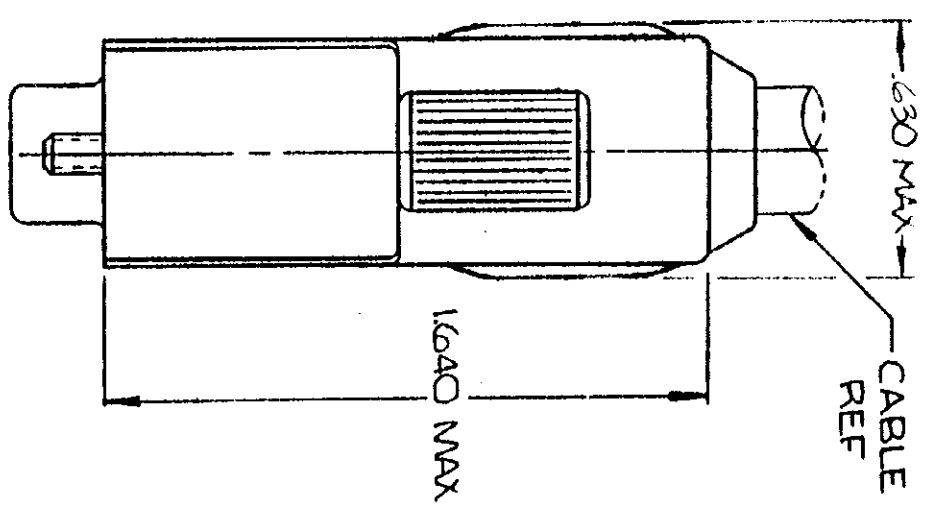
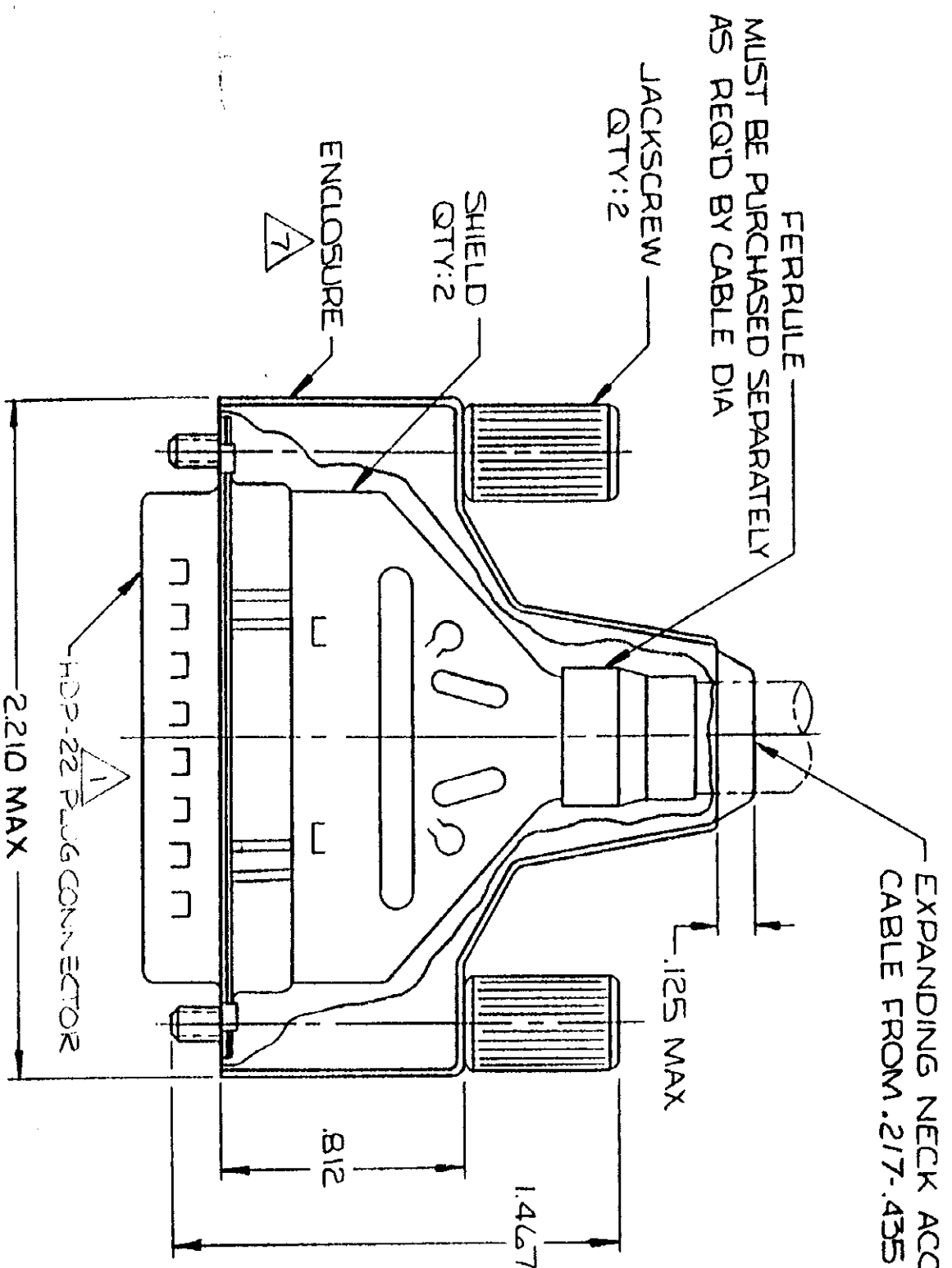
**www.Jameco.com ♦ 1-800-831-4242**

The content and copyrights of the attached  
material are the property of its owner.

Jameco Part Number 837960

THIS DRAWING IS UNPUBLISHED. RELEASED FOR PUBLICATION  
 © COPYRIGHT 1987 BY AMP INCORPORATED, HARRISBURG, PA. ALL INTERNATIONAL RIGHTS RESERVED. AMP PRODUCTS MAY BE COVERED BY U.S. AND FOREIGN PATENTS AND/OR PATENTS PENDING.

REVISIONS		DATE	APPROVED
P	ZONE	DESCRIPTION	
1	0	RELEASED WAS 86-5520-3	
2	A	REVER PER ECN BD2328	2/7/89
3	B	REV PER ECN BD4294	9/24/90
4	C	REV PER ECN BD4814	5/31/91
5	D	REVISED PER ECN BD6133	4/6/92 TMS



1. PLUG ACCEPTS SIZE 22 DF PIN CONTACTS, CONTACTS MUST BE PURCHASED SEPARATELY.
2. ALL PARTS SHIPPED UNASSEMBLED, EACH PART INDIVIDUALLY BULK PACKED.
3. FLAME RETARDANT 94V-0 RATED, GLASS FILLED NYLON, COLOR: BLACK.
4. STEEL PER ASTM A109.
5. TIN PLATING PER MIL-T-10727.
6. ZINC PLATING PER ASTM B633, TYPE II, CLASS SCL, BLACK CHROMATE.
7. FLAME RETARDANT 94V-0 RATED, STYRENE POLYOLEFIN OR PVC, COLOR: BLACK.

UNLESS OTHERWISE SPECIFIED DIMENSIONS ARE IN INCHES. TOLERANCES ON: DECIMALS ± .020 ANGLES F		CONTRACT NO. 4-28-87	
MATERIAL INSERT: A SHELLS & SHIELDS: A JACKSCREWS: ZINC ALLOY		DRG. BY: [Signature] CHK. BY: [Signature] 4-30-87	
FINISH SHELLS & SHIELDS: A JACKSCREWS: A		APPD. BY: [Signature] 4-30-87	
OTHER APPD.		DSGN APPD. [Signature] 4/30/87	
AMP   AMP INCORPORATED Harrisburg, Pa. 17105		NAME SHIELDING ENCLOSURE KIT, PLUG, SIZE 3, 44 POSN, AMPLIMITE® HDP-22	
SIZE C	FSCM NO. 00779	DRAWING NO. 748475	PART NO. 748475-1
SCALE 2:1	SHEET 1 OF 1		