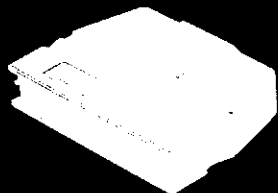
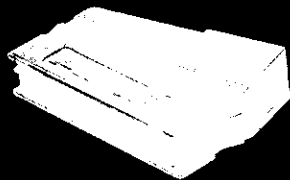


AMPLIMITE .050 Series Shielded Backshell Kits, With Spring Latches, Series III

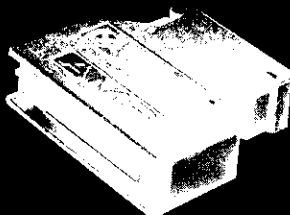
AMPLIMITE .050 Series Connectors, Series III



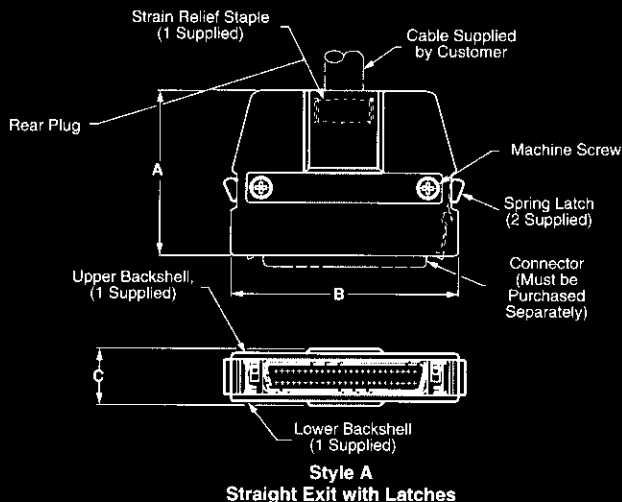
**Style A
Straight Exit
with Latches**



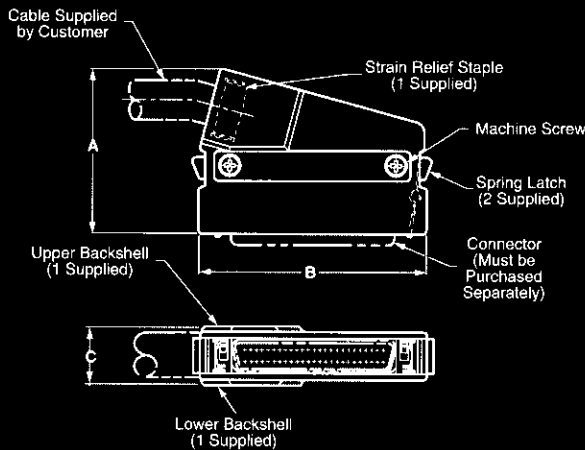
**Style A
Angled Exit
with Latches**



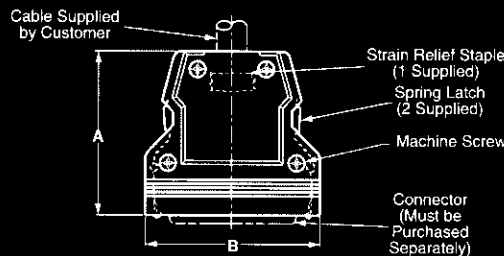
**Style B
Straight Exit
with Latches**



**Style A
Straight Exit with Latches**



**Style A
Angled Exit with Latches**



**Style B
Straight Exit with Latches**

Materials:

Backshell—Zinc, plated nickel over copper

Spring Latch—Stainless steel

2-56 Screws—Stainless steel

Strain Relief Staple—Steel, plated tin-lead over nickel

Technical Documents:

Product Specifications—108-1228

Application Specifications—114-40029

Instruction Sheet—408-9427

Note: Extra pin contact protection is provided by rails on the receptacle, which facilitate a straight-out unmating motion. A side-to-side rocking motion should not be used to disengage the connector system.