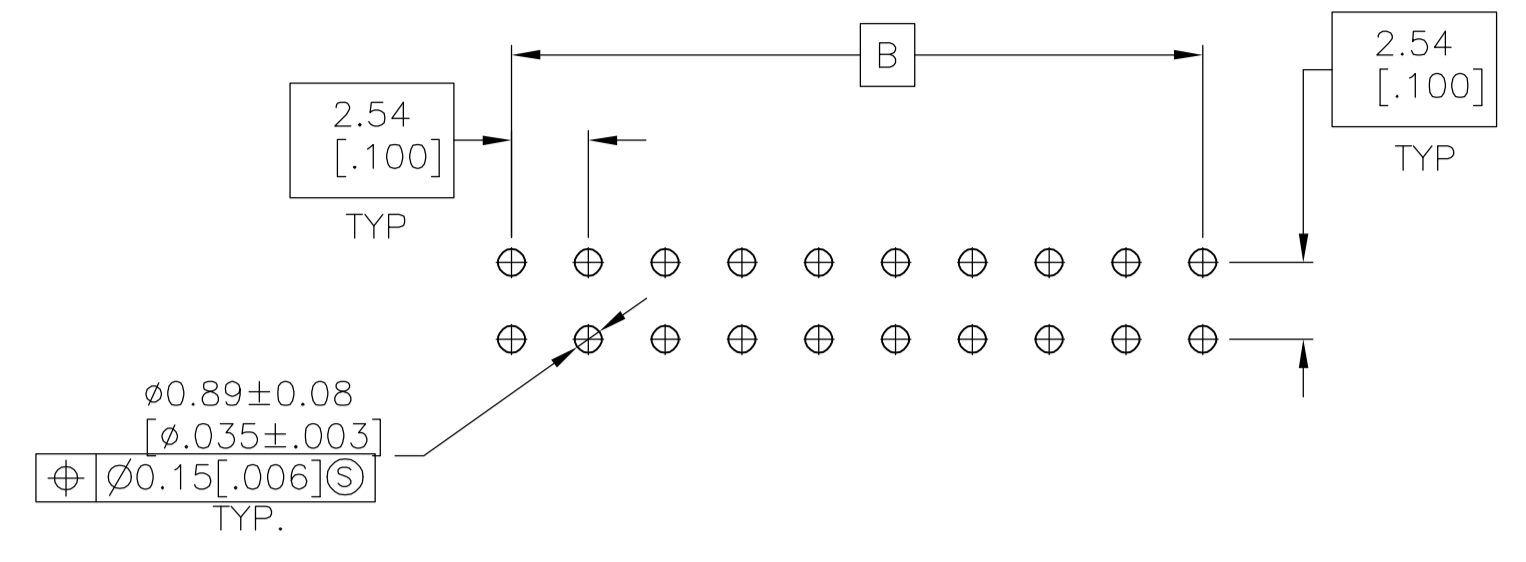
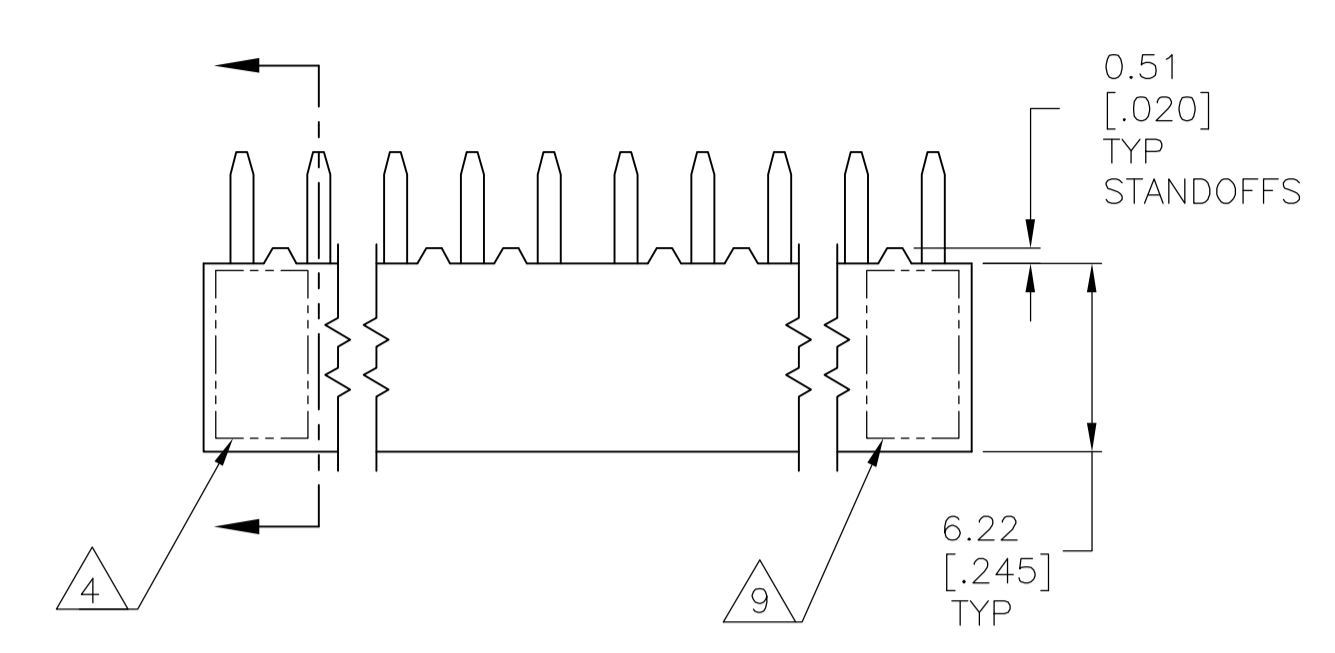
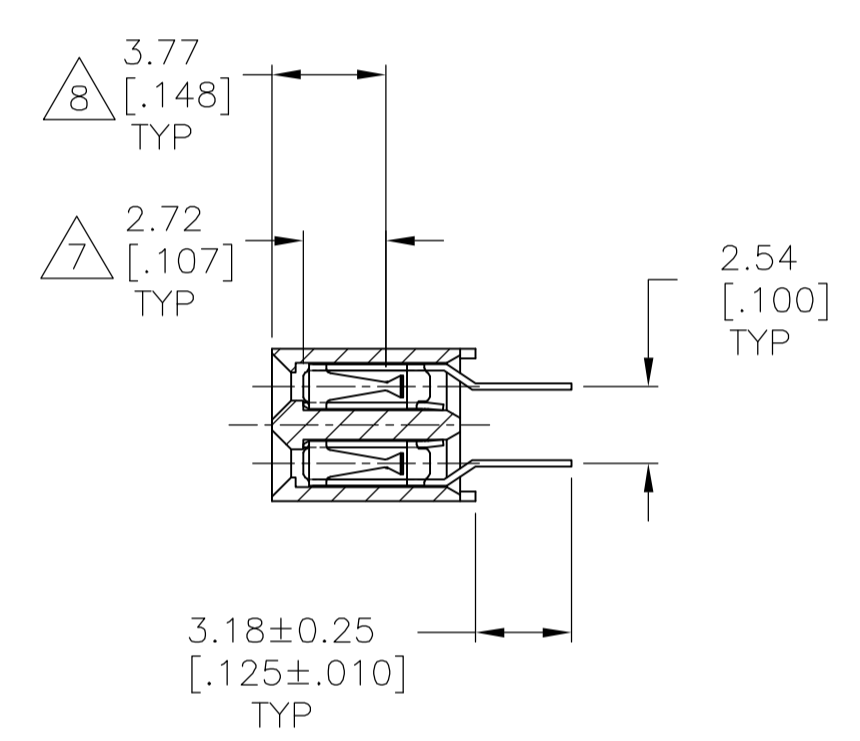
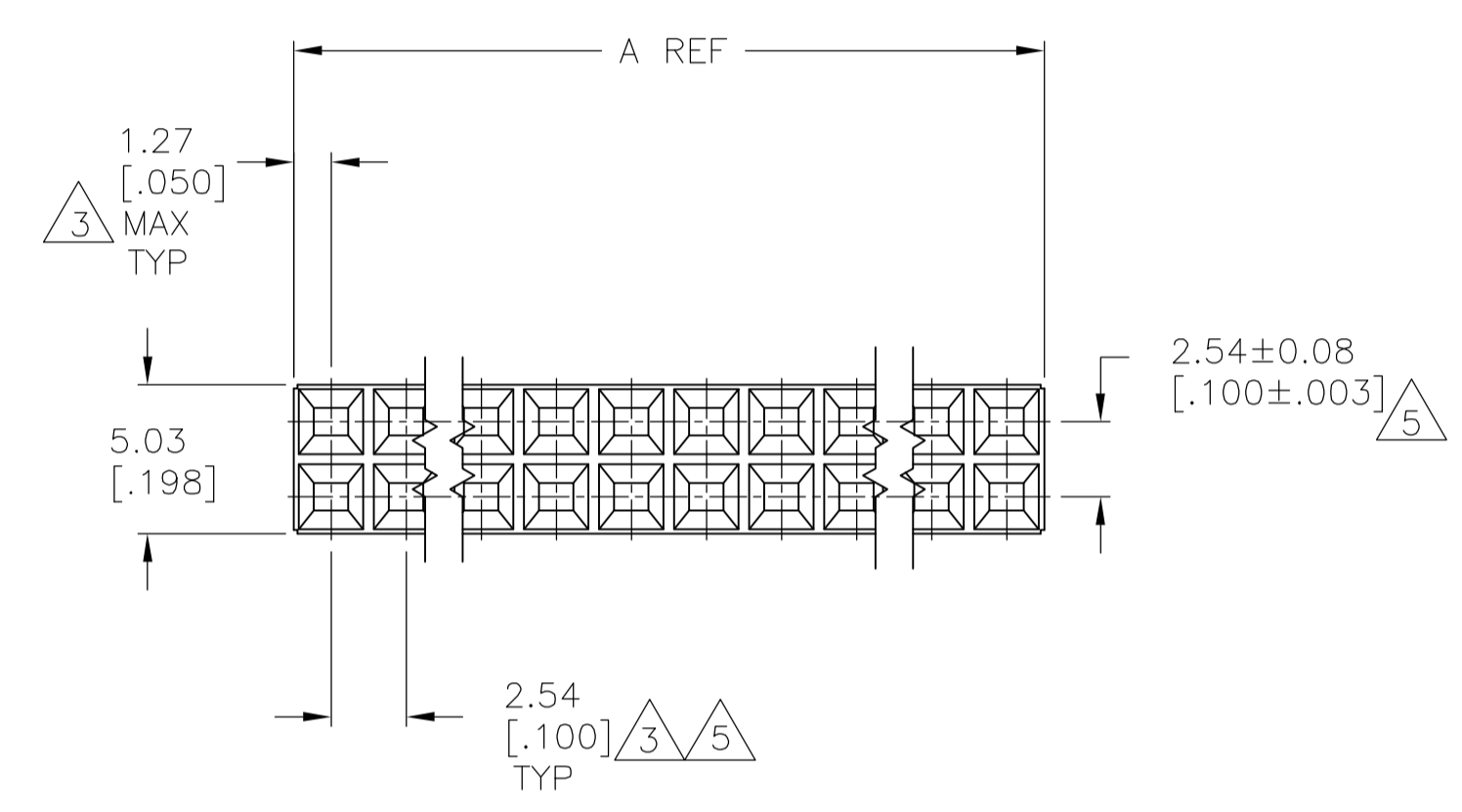


SEE SHEET 2
 FOR P/N'S -51 THRU -90



RECOMMENDED PC BOARD HOLE PATTERN
 PC BOARD THICKNESS 1.57 [.062]



- 1 HOUSING: FLAME RETARDANT, GLASS FILLED, THERMOPLASTIC, COLOR: BLACK. CONTACT: PHOSPHOR BRONZE
- 2 CONTACT: DUPLEX PLATED 0.76μm [.000030] GOLD IN CONTACT AREA, 3.81-7.62μm [.000150-.000300] BRIGHT TIN-LEAD ON LEADS, ALL OVER 1.27μm [.000050] NICKEL
- 3 THESE DIMENSIONS PERTAIN TO CAVITY CENTERLINES ONLY - NOT TO CONTACT LOCATIONS
- 4 PART NUMBER AND DATE CODE ARE MARKED IN APPROXIMATE LOCATION SHOWN.
- 5 TOLERANCE IS NON-CUMULATIVE.
- 6 2 POSITION DATE CODE IS MARKED OPPOSITE SIDE OF TYCO LOGO.
- 7 POINT-OF-MEASUREMENT DIMENSION FOR PLATING THICKNESS (INSIDE CONTACT BEAM).
- 8 POINT-OF-CONTACT DIMENSION.
- 9 TYCO TRADEMARK AND CSA LOGO ARE MOLDED INTO HOUSING, THIS LOCATION.
- 10 NO PART NUMBER MARKING REQUIRED FOR THIS PART.
- 11 CONTACT: DUPLEX PLATED 0.76μm [.000030] GOLD IN CONTACT AREA, 3.81-7.62μm [.000150-.000300] MATTE TIN ON LEADS, ALL OVER 1.27μm [.000050] NICKEL
- 12 ROHS 2002/95/EC COMPLIANT

2	B	A	NO OF POSN	PART NUMBER
2	88.90 [3.500]	91.44 [3.600]	72	3-534998-6
2	86.36 [3.400]	88.90 [3.500]	70	3-534998-5
2	83.82 [3.300]	86.36 [3.400]	68	3-534998-4
2	81.28 [3.200]	83.82 [3.300]	66	3-534998-3
2	78.74 [3.100]	81.28 [3.200]	64	3-534998-2
2	76.20 [3.000]	78.74 [3.100]	62	3-534998-1
2	73.66 [2.900]	76.20 [3.000]	60	3-534998-0
2	71.12 [2.800]	73.66 [2.900]	58	2-534998-9
2	68.58 [2.700]	71.12 [2.800]	56	2-534998-8
2	66.04 [2.600]	68.58 [2.700]	54	2-534998-7
2	63.50 [2.500]	66.04 [2.600]	52	2-534998-6
2	60.96 [2.400]	63.50 [2.500]	50	2-534998-5
2	58.42 [2.300]	60.96 [2.400]	48	2-534998-4
2	55.88 [2.200]	58.42 [2.300]	46	2-534998-3
2	53.34 [2.100]	55.88 [2.200]	44	2-534998-2
2	50.80 [2.000]	53.34 [2.100]	42	2-534998-1
2	48.26 [1.900]	50.80 [2.000]	40	2-534998-0
2	45.72 [1.800]	48.26 [1.900]	38	1-534998-9
2	43.18 [1.700]	45.72 [1.800]	36	1-534998-8
2	40.64 [1.600]	43.18 [1.700]	34	1-534998-7
2	38.10 [1.500]	40.64 [1.600]	32	1-534998-6
2	35.56 [1.400]	38.10 [1.500]	30	1-534998-5
2	33.02 [1.300]	35.56 [1.400]	28	1-534998-4
2	30.48 [1.200]	33.02 [1.300]	26	1-534998-3
2	27.94 [1.100]	30.48 [1.200]	24	1-534998-2
2	25.40 [1.000]	27.94 [1.100]	22	1-534998-1
2	22.86 [.900]	25.40 [1.000]	20	1-534998-0
2	20.32 [.800]	22.86 [.900]	18	534998-9
2	17.78 [.700]	20.32 [.800]	16	534998-8
2	15.24 [.600]	17.78 [.700]	14	534998-7
2	12.70 [.500]	15.24 [.600]	12	534998-6
2	10.16 [.400]	12.70 [.500]	10	534998-5
2	7.62 [.300]	10.16 [.400]	8	534998-4
2	5.08 [.200]	7.62 [.300]	6	534998-3
2	2.54 [.100]	5.08 [.200]	4	534998-2
2	-	2.54 [.100]	2	6 534998-1

2	99.06 [3.900]	101.60 [4.000]	80	4-534998-0
2	96.52 [3.800]	99.06 [3.900]	78	3-534998-9
2	93.98 [3.700]	96.52 [3.800]	76	3-534998-8
2	91.44 [3.600]	93.98 [3.700]	74	3-534998-7
	B	A	NO OF POSN	PART NUMBER

THIS DRAWING IS A CONTROLLED DOCUMENT.

DIN	M. BINNER	06NOV02		Tyco Electronics Corporation	
CHK	J. JOLSON	06NOV02		Harrisburg, Pa 17105-3608	
APVD	J. JOLSON	06NOV02		NAME	
				PRODUCT SPEC	
DIMENSIONS: mm [INCHES]			APPLICATION SPEC		
TOLERANCES UNLESS OTHERWISE SPECIFIED:			108-25022		
0 PLC ± -			SIZE		
1 PLC ± ±			CAGE CODE		
2 PLC ± ±			DRAWING NO		
3 PLC ± ±			RESTRICTED TO		
4 PLC ± ±			114-25018		
ANGLES ± ±			WEIGHT		
FINISH			A1 00779 534998		
			CUSTOMER DRAWING		

SCALE 4:1 SHEET 1 OF 2 REV P1

LOC		DIST		REVISIONS			
AD	00	REV	DATE	BY	APPV	REV	DATE
		1	SEE SHEET 1				

NO	DESCRIPTION	DATE	BY	APPV
72	88.90 [3.500] 91.44 [3.600]			
70	86.36 [3.400] 88.90 [3.500]			
68	83.82 [3.300] 86.36 [3.400]			
66	81.28 [3.200] 83.82 [3.300]			
64	78.74 [3.100] 81.28 [3.200]			
62	76.20 [3.000] 78.74 [3.100]			
60	73.66 [2.900] 76.20 [3.000]			
58	71.12 [2.800] 73.66 [2.900]			
56	68.58 [2.700] 71.12 [2.800]			
54	66.04 [2.600] 68.58 [2.700]			
52	63.50 [2.500] 66.04 [2.600]			
50	60.96 [2.400] 63.50 [2.500]			
48	58.42 [2.300] 60.96 [2.400]			
46	55.88 [2.200] 58.42 [2.300]			
44	53.34 [2.100] 55.88 [2.200]			
42	50.80 [2.000] 53.34 [2.100]			
40	48.26 [1.900] 50.80 [2.000]			
38	45.72 [1.800] 48.26 [1.900]			
36	43.18 [1.700] 45.72 [1.800]			
34	40.64 [1.600] 43.18 [1.700]			
32	38.10 [1.500] 40.64 [1.600]			
30	35.56 [1.400] 38.10 [1.500]			
28	33.02 [1.300] 35.56 [1.400]			
26	30.48 [1.200] 33.02 [1.300]			
24	27.94 [1.100] 30.48 [1.200]			
22	25.40 [1.000] 27.94 [1.100]			
20	22.86 [0.900] 25.40 [1.000]			
18	20.32 [0.800] 22.86 [0.900]			
16	17.78 [0.700] 20.32 [0.800]			
14	15.24 [0.600] 17.78 [0.700]			
12	12.70 [0.500] 15.24 [0.600]			
10	10.16 [0.400] 12.70 [0.500]			
8	7.62 [0.300] 10.16 [0.400]			
6	5.08 [0.200] 7.62 [0.300]			
4	2.54 [0.100] 5.08 [0.200]			
2	- [0.100] 2.54 [0.100]			

99.06 [3.900]	101.60 [4.000]	80	9-534998-0
96.52 [3.800]	99.06 [3.900]	78	8-534998-9
93.98 [3.700]	96.52 [3.800]	76	8-534998-8
91.44 [3.600]	93.98 [3.700]	74	8-534998-7
B	A	NO OF POSN	PART NUMBER

THIS DRAWING IS A CONTROLLED DOCUMENT.

DIMENSIONS: mm [INCHES]	TOLERANCES UNLESS OTHERWISE SPECIFIED:	DRAWING NO. 114-25018	SIZE A1	SCALE 4:1	SHEET 2 OF 2	REV P1
0 PLC ± -	1 PLC ± -	2 PLC ± 0.13[.005]	3 PLC ± -	4 PLC ± -	ANGLES ± -	FINISH
MATERIAL		FINISH		CUSTOMER DRAWING		

DWG: M. BINNER
 CHK: J. JOHNSON
 APPV: J. JOHNSON
 DATE: 06NOV02
 NAME: Tyco Electronics Corporation, Harrisburg, Pa 17105-3608
 PRODUCT SPEC: 108-25022
 APPLICATION SPEC: 114-25018
 WEIGHT: -
 RESTRICTED TO: -
 SCALE: 4:1 SHEET 2 OF 2 REV P1

D

D

C

C

B

B

A

A