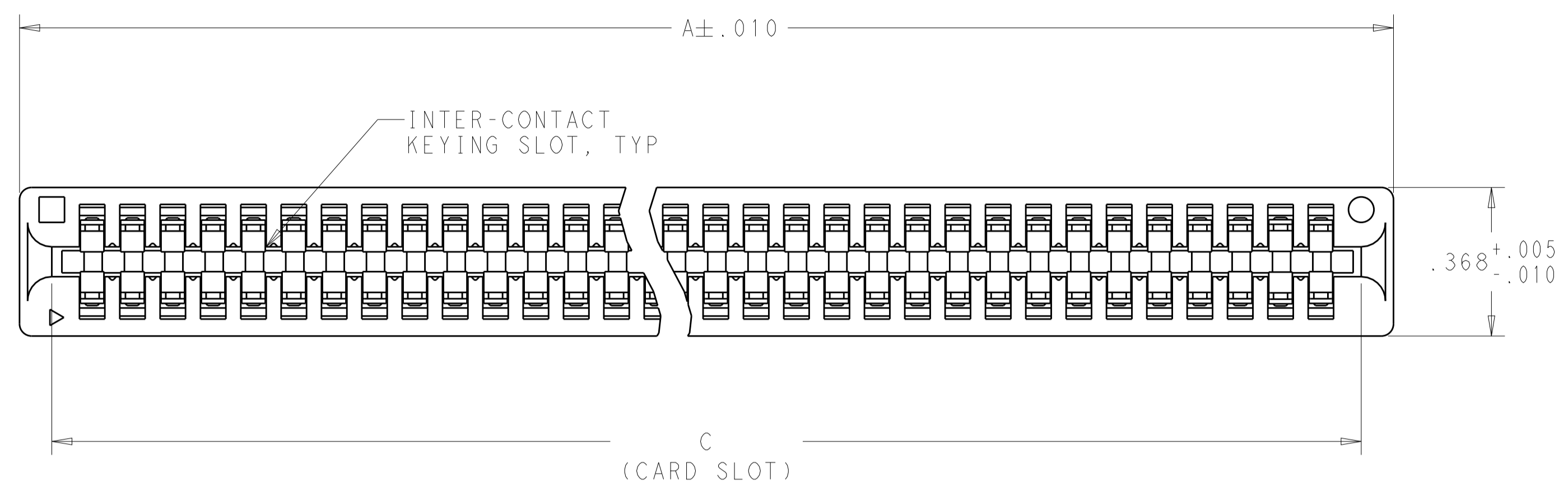
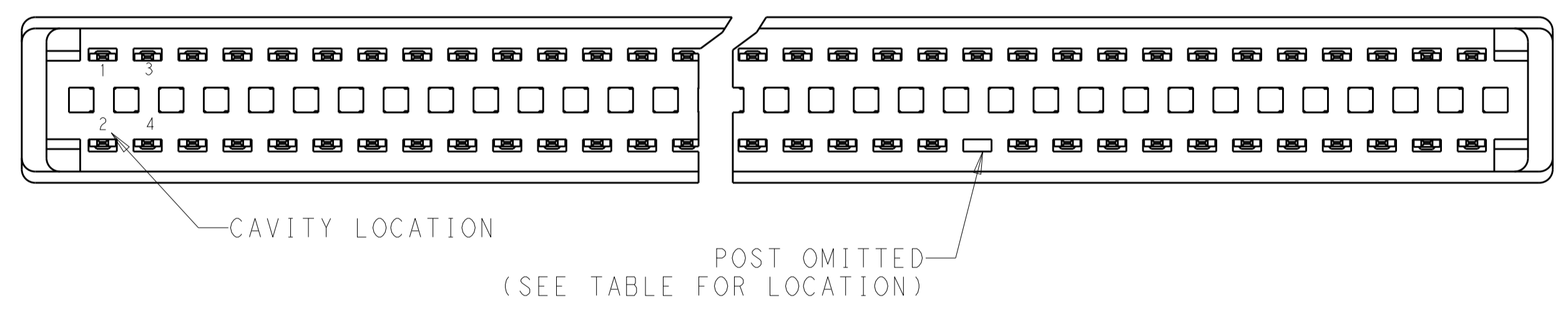
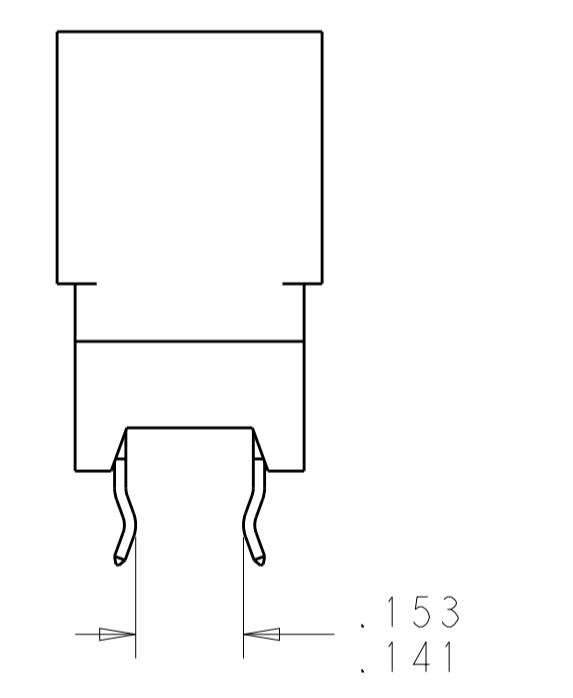
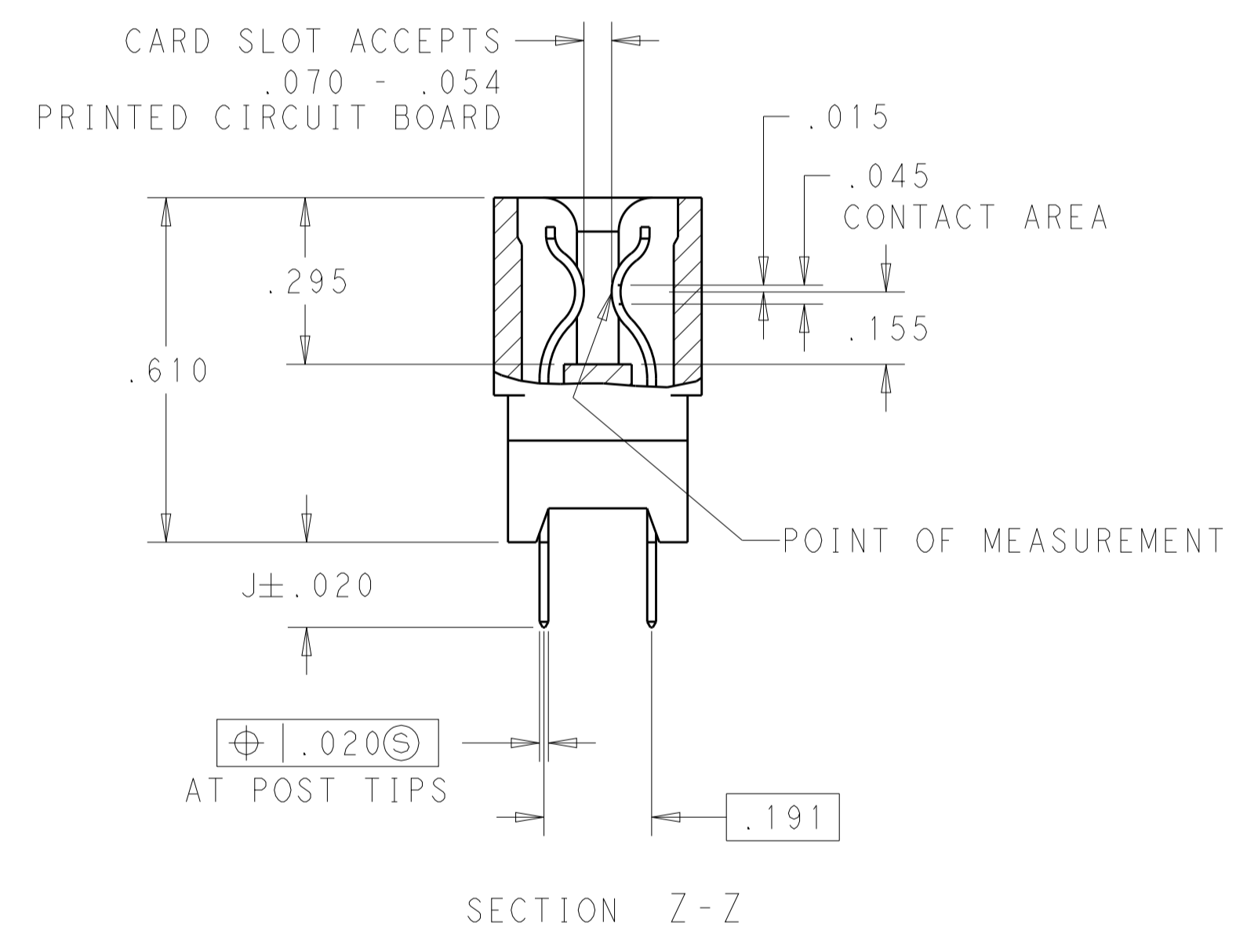
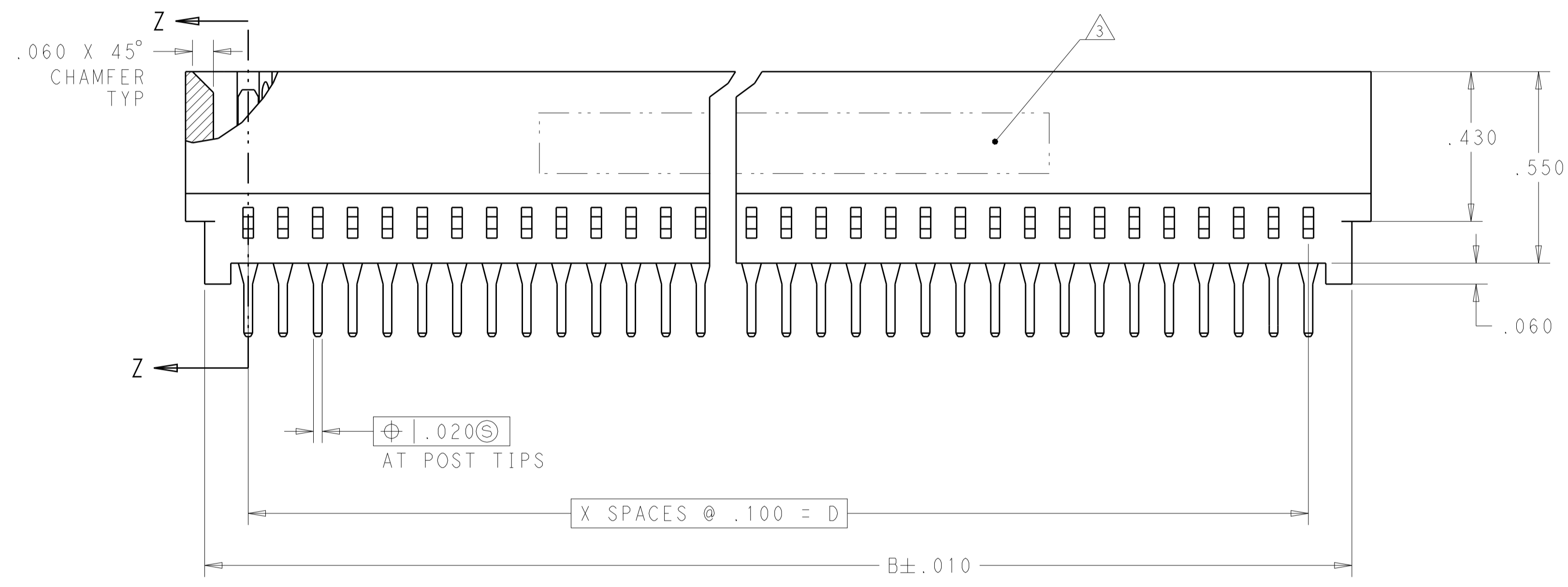


LOC	DIST	REVISIONS			
P	LTN	DESCRIPTION	DATE	DWN	APVD
E8		ADD NEW PART -87	20FEB2012	AY	SZ
E9		ADD NEW PART -88	25FEB2013	AY	SZ
F		CHANGE PART -88 TAIL LENGTH	25APR2013	AY	SZ
F1		UPDATE THE OMITTED PINS	20FEB2013	AY	SZ

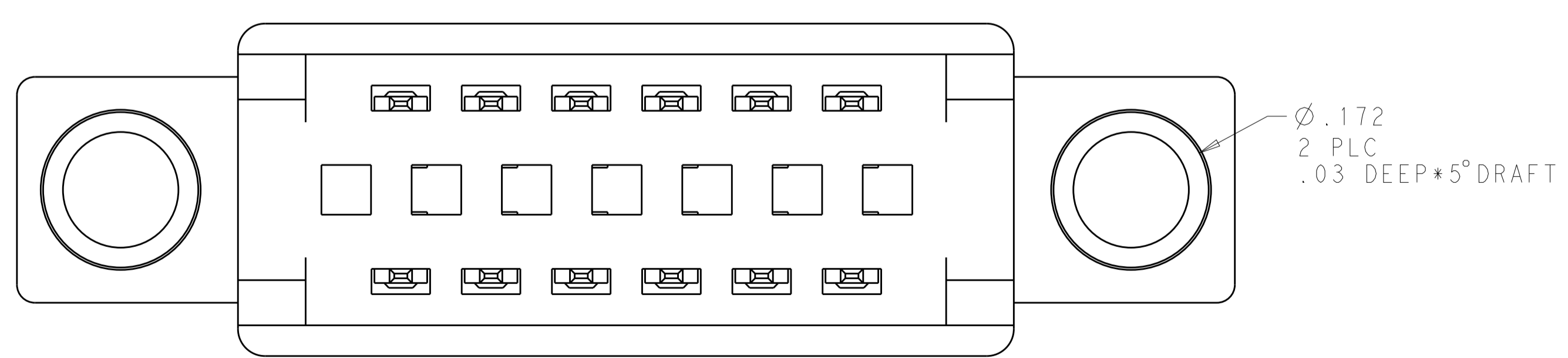
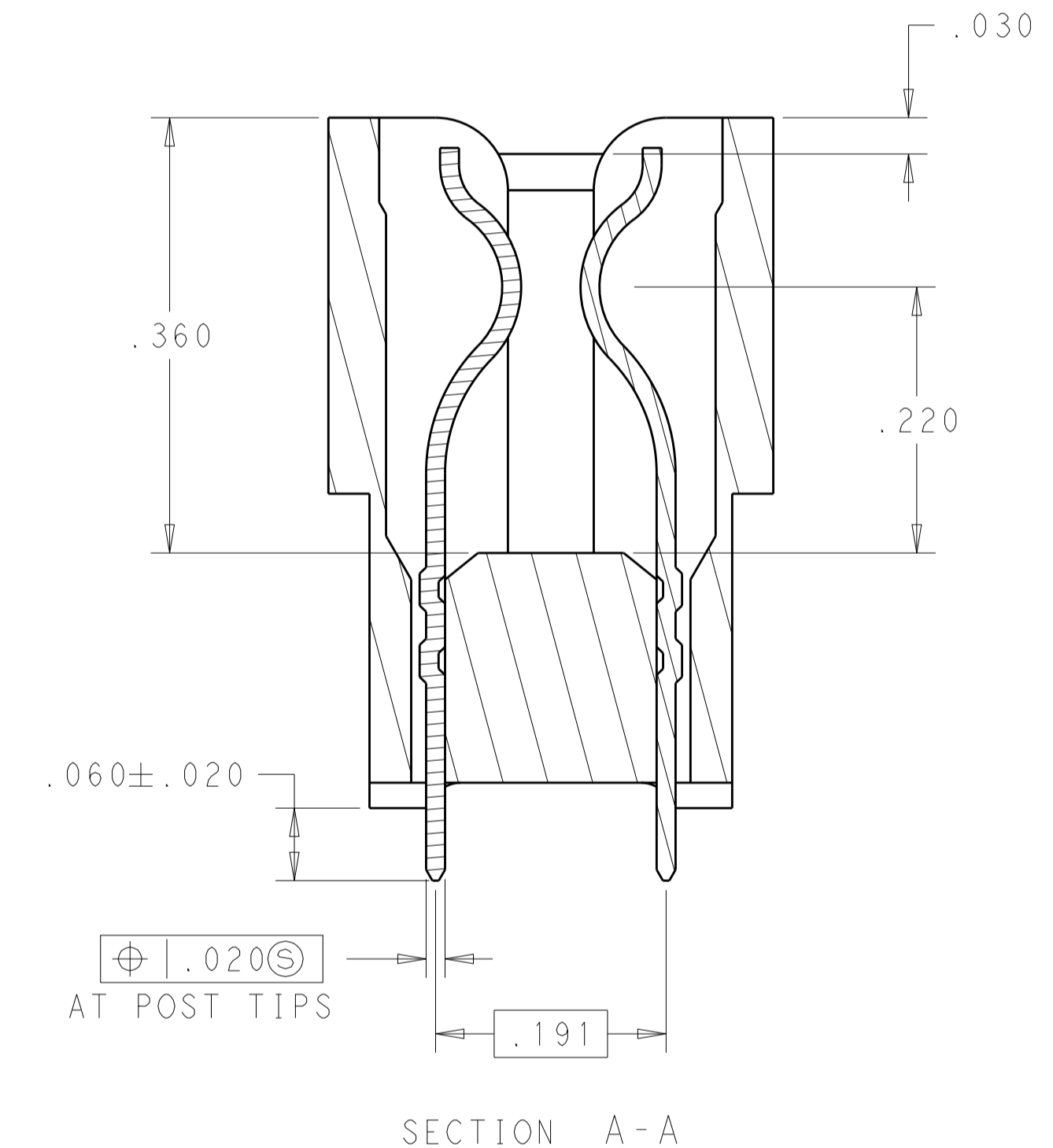
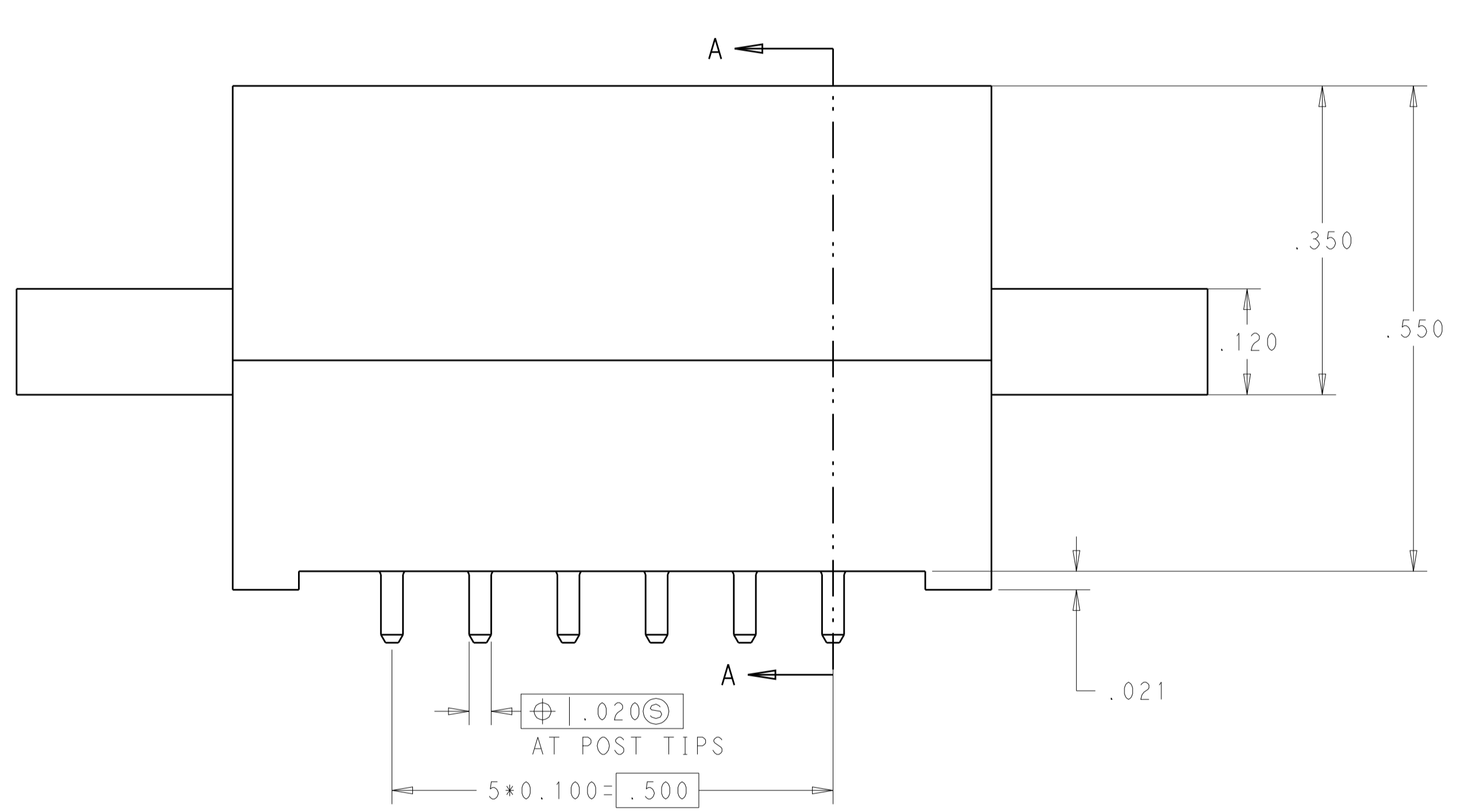
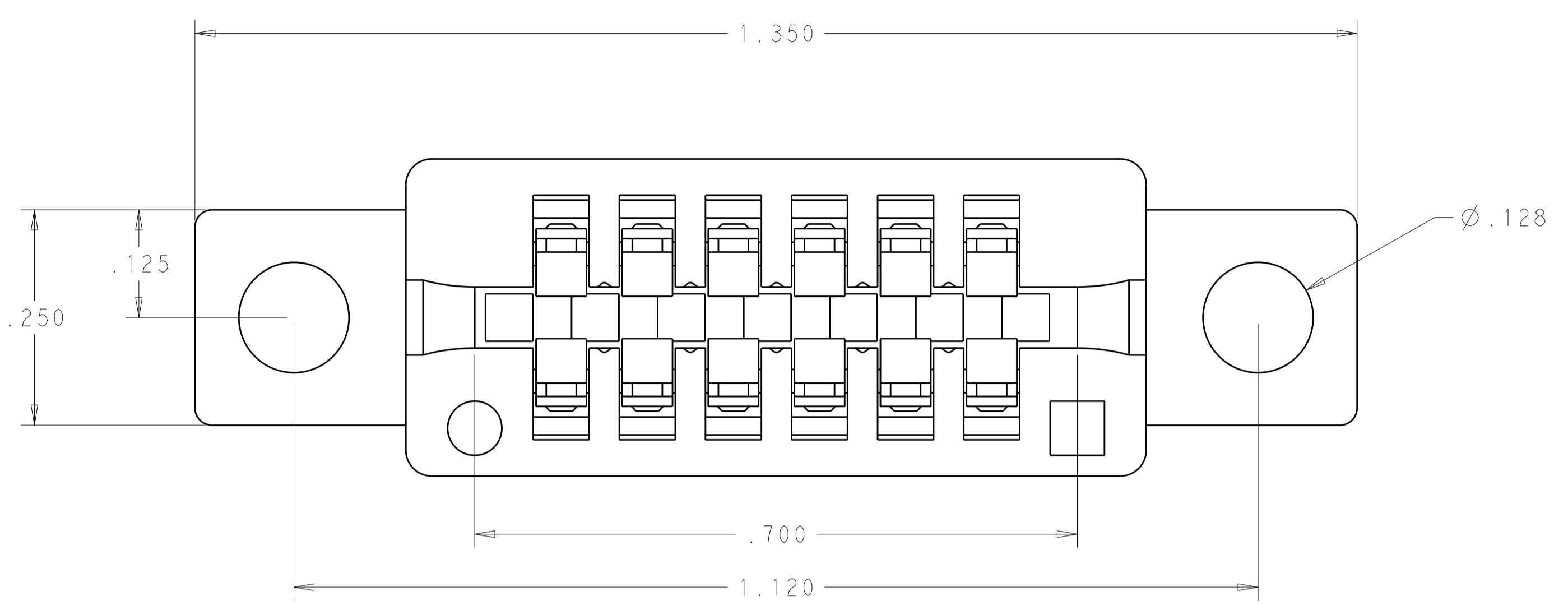


- 1 MATERIAL:  
HOUSING - GLASS FILLED POLYESTER, COLOR BLACK  
CONTACT - PHOSPHOR BRONZE
- 2 FINISH:  
(SEE TABLE FOR GOLD PLATING) IN CONTACT AREA.  
.000100 MIN MATTE TIN ON SOLDER POSTS. ALL OVER  
.000050 MIN THK. NICKEL
- 3 AMP LOGO, TE PART NUMBER, DATE CODE AND CSA LOGO INK STAMPED WHITE (HOT STAMPED OR LAZER PRINTED) IN THE APPROXIMATE AREA SHOWN, EITHER SIDE PERMISSABLE WHEN HOUSING SIZE PERMITS
- 4. RECOMMENDED PCB FINISHED HOLE  $\varnothing .040 \pm .003$
- 5 .000015 MIN
- 6 .000030 MIN
- 7 OBSOLETE PARTS: OBSOLETE CIS STREAMLINING PER D.RENAUD/D.SINISI



THIS DRAWING IS A CONTROLLED DOCUMENT.		DWN AWF/GRZYBOWSKI	30OCT2009	 TE Connectivity
DIMENSIONS: INCHES		CHK E.HOWARD	30OCT2009	
TOLERANCES UNLESS OTHERWISE SPECIFIED:		APVD M.PERCHEK	30OCT2009	NAME CONNECTOR ASSEMBLY STANDARD EDGE II, .100 CENTERLINE
0 PLC $\pm$ 1 PLC $\pm .005$ 2 PLC $\pm$ 3 PLC $\pm$ 4 PLC $\pm$ ANGLES $\pm$		PRODUCT SPEC 108-9039	APPLICATION SPEC 114-13018	
MATERIAL	FINISH	WEIGHT	SIZE A100779	RESTRICTED TO
CUSTOMER DRAWING		SCALE 4:1	SHEET 1 OF 4	REV F1

LOC	DIST	REVISIONS			
P	LTN	DESCRIPTION	DATE	DWN	APVD
GP	00	SEE SHEET 1	-	-	-



PART 8-5530843-6

THIS DRAWING IS A CONTROLLED DOCUMENT.		DWN: AWF/GRZYBOWSKI 30OCT2009	TE Connectivity
DIMENSIONS: INCHES		CHK: E. HOWARD	
TOLERANCES UNLESS OTHERWISE SPECIFIED:		APVD: M. PERCHERK 30OCT2009	NAME: CONNECTOR ASSEMBLY STANDARD EDGE II, .100 CENTERLINE
0 PLC ±. 1 PLC ±. 2 PLC ±.005 3 PLC ±. 4 PLC ±. ANGLES ±. FINISH #2		PRODUCT SPEC: 108-9039 APPLICATION SPEC: 114-13018 WEIGHT:	
MATERIAL:		SIZE: A100779	RESTRICTED TO:
CUSTOMER DRAWING		CAGE CODE: 5530843	SCALE: 4:1 SHEET 2 OF 4 REV: F1

LOC	DIST	REVISIONS					
GP	00	P	LTN	DESCRIPTION	DATE	DWN	APVD
-	-	-	-	SEE SHEET 1	-	-	-

OBSOLETE	8-5530843-2
OBSOLETE	8-5530843-1
OBSOLETE	4-5530843-1
OBSOLETE	1-5530843-9
OBSOLETE	1-5530843-2
	PART NUMBER

NO. OF DUAL POSITIONS	PART NUMBER	X	A	B	C	D	J	Z	FINISH	BOARD RETENTION FEATURE LOCATION (SEE DETAIL Y)	OMITTED PIN
14	8-5530843-8	15	1.650	1.760	1.400	1.600	.187	1.586	△6	-	17, 18, 21, 22, 23, 24
11	8-5530843-7	12	1.350	1.460	1.100	1.300	.125	1.286	△6	-	17, 18, 19, 20
5	8-5530843-6	6	-	-	.500	.700	-	0.686	△6	-	
11	8-5530843-5	12	1.350	1.460	1.100	1.300	.187	1.286	△6	-	
30	8-5530843-4	31	3.250	3.360	3.000	3.200	.125	3.186	△6	-	19, 20, 21, 22, 23, 24, 27, 28, 31, 32, 35, 36, 39, 40, 43, 44, 45, 46, 47, 48, 51, 52, 55, 56, 59, 60
11	8-5530843-3	12	1.350	1.460	1.100	1.300	.125	1.286	△6	3, 4, 5, 6, 19, 20, 21, 22	
2	7-5530843-7	3	.450	.560	.200	.400	.125	.386	△6	-	
5	7-5530843-6	6	.750	.860	.500	.700	.187	.686	△6	-	
5	7-5530843-5	6	.750	.860	.500	.700	.125	.686	△6	-	
30	7-5530843-0	31	3.250	3.360	3.000	3.200	.125	3.186	△5	-	
30	6-5530843-5	31	3.250	3.360	3.000	3.200	.125	3.186	△6	-	
59	5-5530843-5	60	6.150	6.260	5.900	6.100	.125	6.086	△6	-	
19	5-5530843-4	20	2.150	2.260	1.900	2.100	.125	2.086	△6	-	
16	5-5530843-3	17	1.850	1.960	1.600	1.800	.125	1.786	△6	-	
9	5-5530843-0	10	1.150	1.260	.900	1.100	.125	1.086	△6	-	
17	2-5530843-7	18	1.950	2.060	1.700	1.900	.125	1.886	△5	-	
34	2-5530843-3	35	3.650	3.760	3.400	3.600	.125	3.586	△6	-	
49	2-5530843-2	50	5.150	5.260	4.900	5.100	.187	5.086	△6	-	
39	2-5530843-0	40	4.150	4.260	3.900	4.100	.187	4.086	△6	-	
29	1-5530843-8	30	3.150	3.260	2.900	3.100	.187	3.086	△6	-	
24	1-5530843-6	25	2.650	2.760	2.400	2.600	.187	2.586	△6	-	
42	1-5530843-0	43	4.450	4.560	4.200	4.400	.125	4.386	△6	-	
35	5530843-8	36	3.750	3.860	3.500	3.700	.125	3.686	△6	-	
29	5530843-7	30	3.150	3.260	2.900	3.100	.125	3.086	△6	-	
27	5530843-6	28	2.950	3.060	2.700	2.900	.125	2.886	△6	-	
24	5530843-5	25	2.650	2.760	2.400	2.600	.125	2.586	△6	-	
21	5530843-4	22	2.350	2.460	2.100	2.300	.125	2.286	△6	-	
17	5530843-3	18	1.950	2.060	1.700	1.900	.125	1.886	△6	-	
14	5530843-2	15	1.650	1.760	1.400	1.600	.125	1.586	△6	-	
11	5530843-1	12	1.350	1.460	1.100	1.300	.125	1.286	△6	-	

△ OBSOLETE

Ⓢ F1

THIS DRAWING IS A CONTROLLED DOCUMENT. DWN: JAW/GRZYBOWSKI 30OCT2009  
 CHK: E. HOWARD  
 APVD: M. PERCZYNSKI 30OCT2009

**STE** TE Connectivity

NAME: CONNECTOR ASSEMBLY STANDARD EDGE II, .100 CENTERLINE

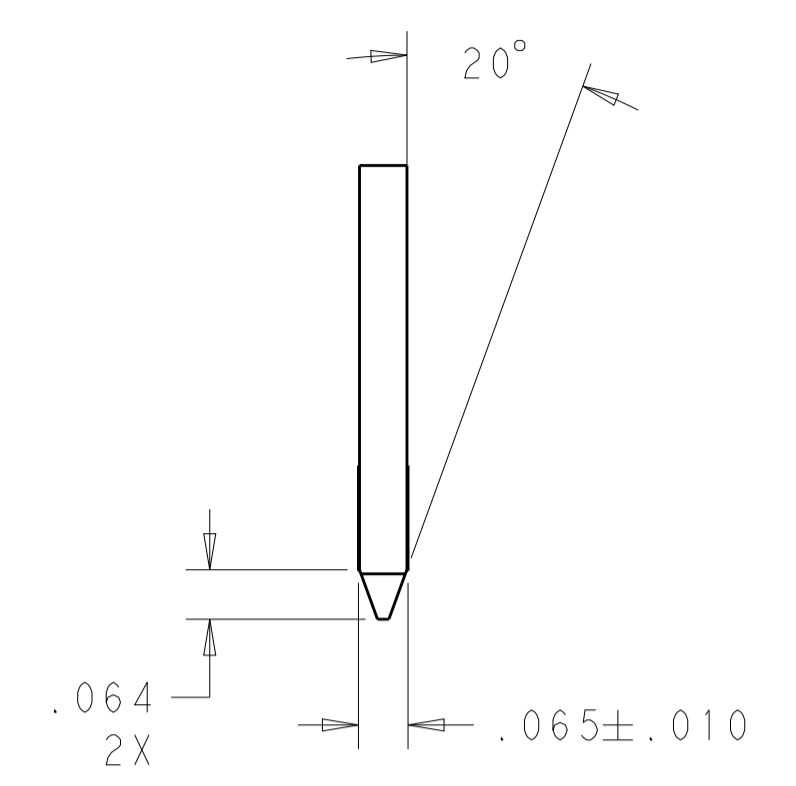
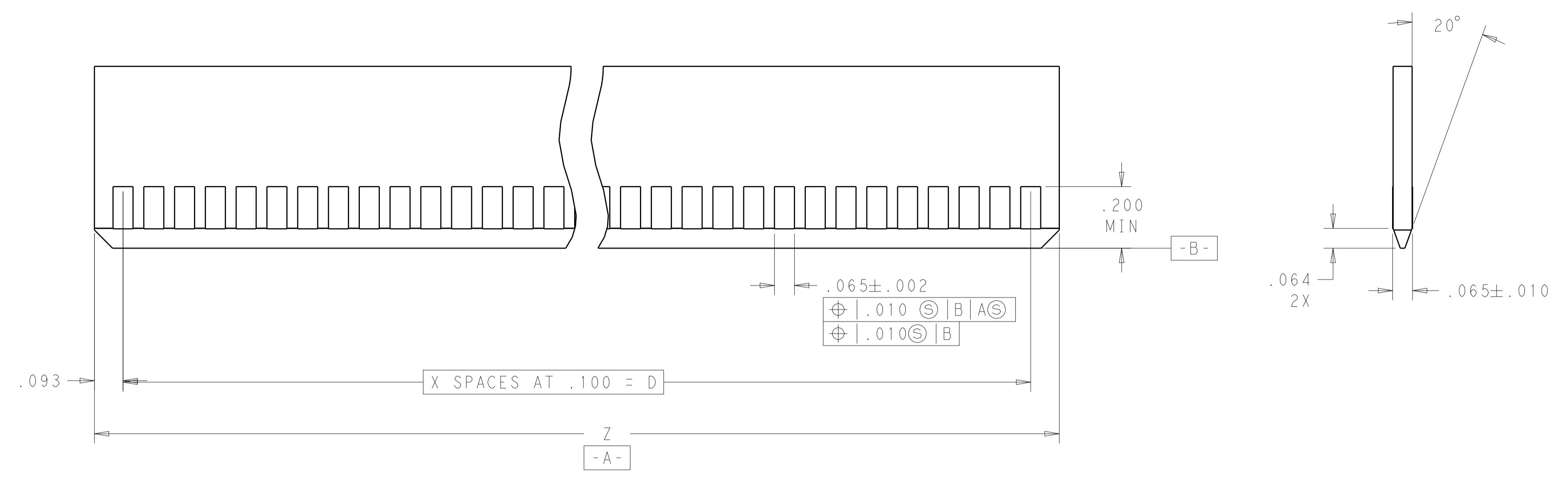
PRODUCT SPEC: 108-9039  
 APPLICATION SPEC: 114-13018

SIZE: A1 CAGE CODE: 5530843 DRAWING NO: 100779

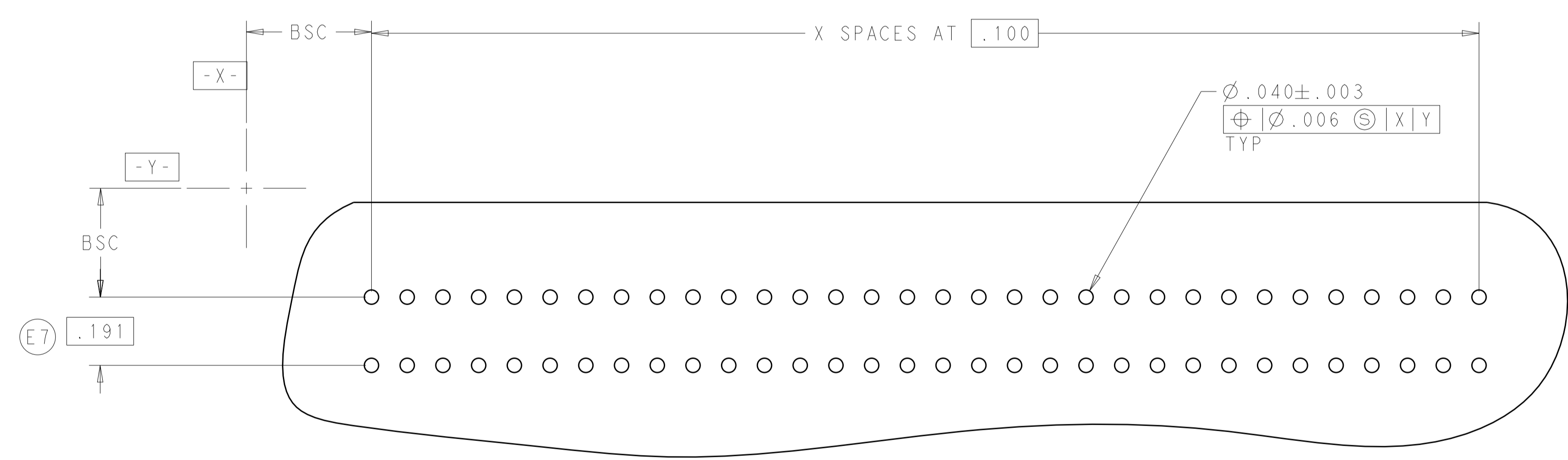
MATERIAL: - FINISH: - WEIGHT: -

CUSTOMER DRAWING SCALE: 4:1 SHEET 3 OF 4 REV: F1

LOC	DIST	REVISIONS			
P	LTN	DESCRIPTION	DATE	DWN	APVD
-	-	SEE SHEET 1	-	-	-



RECOMMENDED MAIN BOARD EDGE CONFIGURATION



RECOMMENDED PC BOARD HOLE LAYOUT

THIS DRAWING IS A CONTROLLED DOCUMENT.		DWN: AWF/GRZYBOWSKI	30OCT2009	TE Connectivity
DIMENSIONS: INCHES		CHK: E. HOWARD	APVD: M. PERCHERK	
TOLERANCES UNLESS OTHERWISE SPECIFIED: 0 PLC ± 1 PLC ±.005 2 PLC ± 3 PLC ± 4 PLC ± ANGLES ± FINISH #2		NAME: CONNECTOR ASSEMBLY STANDARD EDGE II, .100 CENTERLINE	PRODUCT SPEC: 108-9039	
MATERIAL: -		SIZE: A100779	CAGE CODE: C=5530843	RESTRICTED TO: -
CUSTOMER DRAWING		SCALE: 4:1	SHEET: 4 OF 4	REV: F1