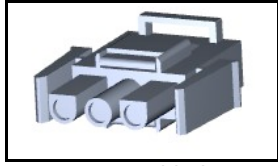


770018-1 Product Details




770018-1

TE Internal Number: 770018-1

 Active

.250" Centerline, 600 V, 19 - 36 A max

 Always EU RoHS/ELV Compliant
(Statement of Compliance)

Product Highlights:

- Universal MATE-N-LOK II Product Line
- Wire-to-Wire
- Applies To Wire/Cable
- Connector
- Housing Kit

| Documentation & Additional Information | |
|--|---|
| <p>Product Drawings:</p> <ul style="list-style-type: none"> • PLUG HOUSING KIT, 3 CIRCUIT, IN-LINE, UNIVERSAL MATE... (PDF, English) <p>Catalog Pages/Data Sheets:</p> <ul style="list-style-type: none"> • SOFT_SHELL_PIN_SOCKET_CONNECTORS_STANDARD_DENSITY (PDF, English) <p>Product Specifications:</p> <ul style="list-style-type: none"> • Connector, Universal MATE-N-LOK II (PDF, English) • Circular Multi-Pin Connector (PDF, English) <p>Application Specifications:</p> <ul style="list-style-type: none"> • Universal MATE-N-LOK II Connectors (PDF, English) <p>Instruction Sheets:</p> <ul style="list-style-type: none"> • Universal MATE-N-LOK Connectors (PDF, English) <p>CAD Files: (CAD Format & Compression Information)</p> <ul style="list-style-type: none"> • 2D Drawing (DXF, Version F) • 3D Model (IGES, Version F) • 3D Model (STEP, Version F) | <p>Additional Information:</p> <ul style="list-style-type: none"> • Product Line Information <p>Related Products:</p> <ul style="list-style-type: none"> • Tooling • Mating Products (23) • Contacts (62) |

| Product Features (Please use the Product Drawing for all design activity) | |
|---|---|
| <p>Product Type Features:</p> <ul style="list-style-type: none"> • Product Line = Universal MATE-N-LOK II • Product Type = Connector • Connector Type = Housing Kit • Strain Relief = With • Sealed = No • UL File Number = E28476 • CSA File Number = LR 7189 <p>Mechanical Attachment:</p> <ul style="list-style-type: none"> • Contact Retention = Without • Mating Retention Type = Latching <p>Electrical Characteristics:</p> <ul style="list-style-type: none"> • Operating Voltage Reference = AC • Operating Voltage (VAC) = 600 <p>Body Features:</p> <ul style="list-style-type: none"> • Mating Retention = With • Assembly Integration Feature = Without <p>Contact Features:</p> <ul style="list-style-type: none"> • Contact Type = Pin or Socket | <p>Configuration Features:</p> <ul style="list-style-type: none"> • Number of Positions = 3 • Number of Rows = 1 <p>Industry Standards:</p> <ul style="list-style-type: none"> • Agency/Standard = UL, CSA • RoHS/ELV Compliance = RoHS compliant, ELV compliant • Lead Free Solder Processes = Not relevant for lead free process • RoHS/ELV Compliance History = Always was RoHS compliant • VDE Tested = Yes • UL Rating = Recognized • CSA Rating = Certified <p>Environmental:</p> <ul style="list-style-type: none"> • Operating Temperature (°C [°F]) = -55 - +105 [-67 - +221] <p>Conditions for Usage:</p> <ul style="list-style-type: none"> • Applies To = Wire/Cable • Glow Wire Rating = Standard Part - Not Glow Wire • For Use With = Standard Universal MATE-N-LOK |

- Contact Type = In-Line
- Contact Layout = In-Line
- Multiple Contact Types = Without

Housing Features:

- Connector Style = Plug
- Centerline (mm [in]) = 6.35 [0.2499]
- Housing Material = Nylon
- Housing Color = White
- UL Flammability Rating = UL 94V-0
- Mating Alignment = With
- Mating Alignment Type = Polarization

- For Use With = Standard Universal MATE-N-LOK Connectors

Operation/Application:

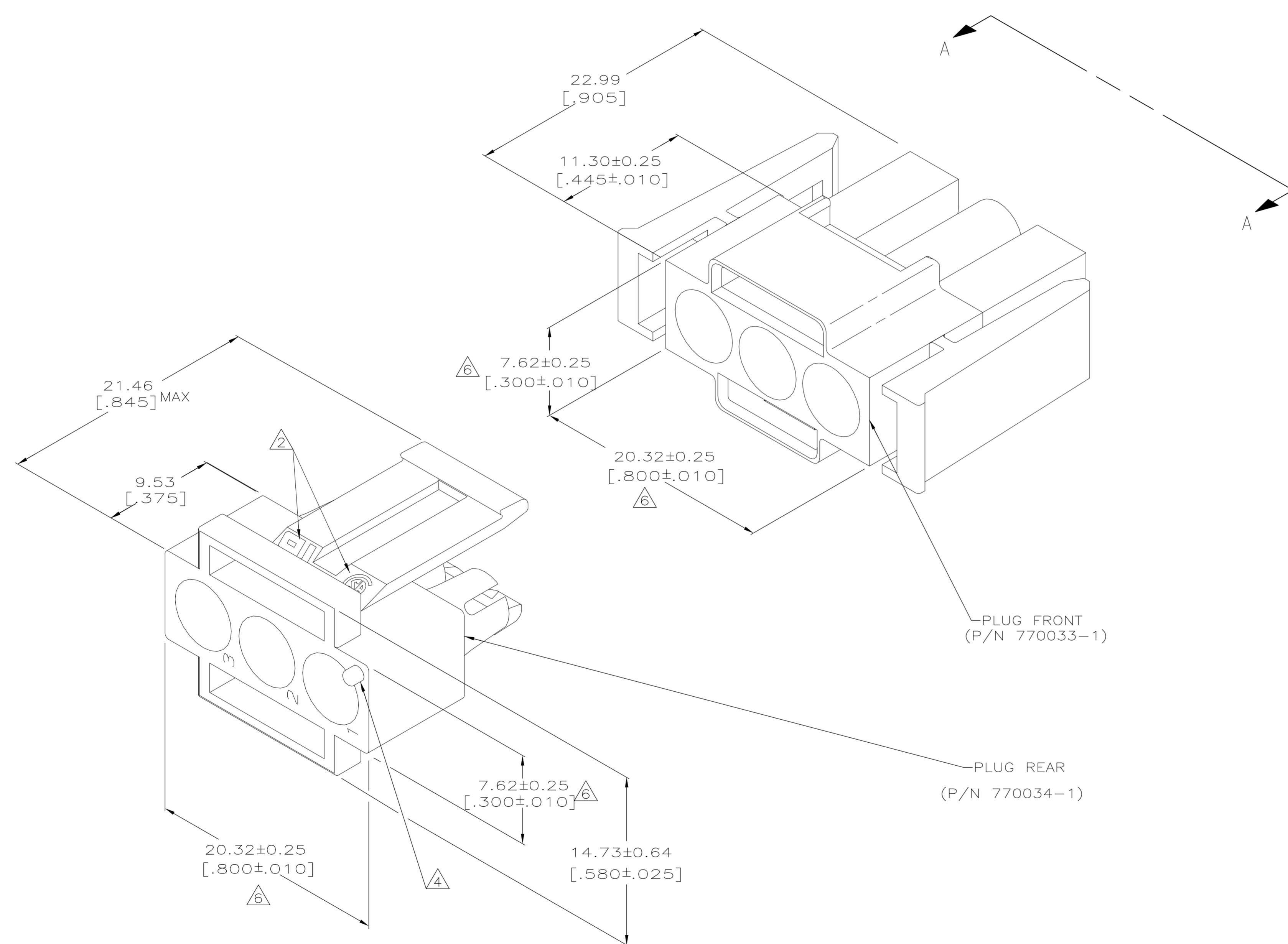
- Application Use = Wire-to-Wire

Packaging Features:

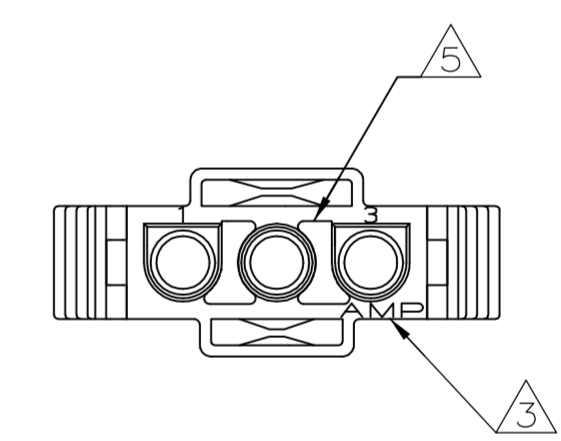
- Packaging Method = Package
- Packaging Quantity = 1

Other:

- Brand = AMP



- 1. BULK PACKAGED, UNASSEMBLED.
- 2. APPROVAL AGENCY LOGO LOCATED APPROXIMATELY AS SHOWN.
- 3. AMP LOGO LOCATED THIS SURFACE.
- 4. CIRCUIT NUMBER ONE IDENTIFICATION BUTTON AND CIRCUIT IDENTIFICATION NUMBERS ARE EACH LOCATED ADJACENT TO THE APPROPRIATE CIRCUIT CAVITIES.
- 5. NEW MOLD CONSTRUCTION PROVIDES MATERIAL REDUCTION CORING AT BASE OF SILOS WITH NO CORING AS OPTIONAL.
- 6. DIMENSION INDICATED IS AS MOLDED. ADDITIONAL GROWTH DUE TO SUBSEQUENT MOISTURE ABSORPTION MAY OCCUR.



VIEW A-A
SCALE 2:1

PLUG FRONT
(P/N 770033-1)

PLUG REAR
(P/N 770034-1)

770018-1
PART NUMBER

METRIC

| | | | | |
|--|---------------------|-----------------------------|---|---------------|
| THIS DRAWING IS A CONTROLLED DOCUMENT. | | DWN K. SALMON 1-22-92 | TE Connectivity | |
| DIMENSIONS: INCHES | | CHK R. SWING 1-22-92 | NAME | |
| TOLERANCES UNLESS OTHERWISE SPECIFIED: | | APVD M. TRULL 1-22-92 | PLUG HOUSING KIT, 3 CIRCUIT, IN-LINE, TM II UNIVERSAL MATE-N-LOK II | |
| 0 PLC ± - | 1 PLC ± - | APPLICATION SPEC | SIZE | CAGE CODE |
| 2 PLC ± - | 3 PLC ± 0.13 [.005] | ANGLE | A1 | 00779 |
| 4 PLC ± - | FINISH - | WEIGHT - | DRAWING NO | C=770018 |
| MATERIAL NYLON,UL94V-0, | | CUSTOMER DRAWING | | RESTRICTED TO |
| | | SCALE | 5:1 | SHEET 1 OF 1 |
| | | REV | | E1 |