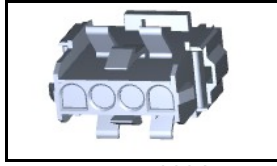


770026-1 Product Details




770026-1

TE Internal Number: 770026-1

 Active

.250" Centerline, 600 V, 19 - 36 A max

 Always EU RoHS/ELV Compliant
(Statement of Compliance)

Product Highlights:

- Universal MATE-N-LOK II Product Line
- Wire-to-Panel / Wire-to-Wire
- Applies To Panel, Applies To Wire/Cable
- Connector
- Housing Kit

Documentation & Additional Information	
<p>Product Drawings:</p> <ul style="list-style-type: none"> • 4 CIRCUIT, IN-LINE, UNIVERSAL MATE-N-LOKCAP HOUSING KIT, (PDF, English) <p>Catalog Pages/Data Sheets:</p> <ul style="list-style-type: none"> • SOFT_SHELL_PIN_SOCKET_CONNECTORS_STANDARD_DENSITY (PDF, English) <p>Product Specifications:</p> <ul style="list-style-type: none"> • Connector, Universal MATE-N-LOK II (PDF, English) • Circular Multi-Pin Connector (PDF, English) <p>Application Specifications:</p> <ul style="list-style-type: none"> • Universal MATE-N-LOK II Connectors (PDF, English) <p>Instruction Sheets:</p> <ul style="list-style-type: none"> • Universal MATE-N-LOK Connectors (PDF, English) <p>CAD Files: (CAD Format & Compression Information)</p> <ul style="list-style-type: none"> • 2D Drawing (DXF, Version F) • 3D Model (IGES, Version F) • 3D Model (STEP, Version F) 	<p>Additional Information:</p> <ul style="list-style-type: none"> • Product Line Information <p>Related Products:</p> <ul style="list-style-type: none"> • Tooling • Mating Products (5) • Contacts (62)

Product Features (Please use the Product Drawing for all design activity)	
<p>Product Type Features:</p> <ul style="list-style-type: none"> • Product Line = Universal MATE-N-LOK II • Product Type = Connector • Connector Type = Housing Kit • Strain Relief = With • Sealed = No • UL File Number = E28476 • CSA File Number = LR 7189 <p>Mechanical Attachment:</p> <ul style="list-style-type: none"> • Contact Retention = Without • Mating Retention Type = Locking Tab • Panel Mount Retention = With • Panel Mount Retention Type = Latch(es) <p>Electrical Characteristics:</p> <ul style="list-style-type: none"> • Operating Voltage Reference = AC • Operating Voltage (VAC) = 600 <p>Dimensions:</p> <ul style="list-style-type: none"> • Panel Thickness (mm [in]) = 0.76 - 2.29 [0.030 - 0.090] 	<p>Configuration Features:</p> <ul style="list-style-type: none"> • Number of Positions = 4 • Number of Rows = 1 <p>Industry Standards:</p> <ul style="list-style-type: none"> • Agency/Standard = CSA, UL • RoHS/ELV Compliance = RoHS compliant, ELV compliant • Lead Free Solder Processes = Not relevant for lead free process • RoHS/ELV Compliance History = Always was RoHS compliant • VDE Tested = Yes • UL Rating = Recognized • CSA Rating = Certified <p>Environmental:</p> <ul style="list-style-type: none"> • Operating Temperature (°C [°F]) = -55 - +105 [-67 - +221] <p>Conditions for Usage:</p> <ul style="list-style-type: none"> • Applies To = Panel, Wire/Cable • Glow Wire Rating = Standard Part - Not Glow Wire • For Use With = Standard Universal MATE-N-LOK

Body Features:

- Mating Retention = With
- Assembly Integration Feature = Without

Contact Features:

- Contact Type = Pin or Socket
- Contact Layout = In-Line
- Multiple Contact Types = Without

Housing Features:

- Connector Style = Receptacle
- Centerline (mm [in]) = 6.35 [0.2499]
- Housing Material = Nylon
- Housing Color = White
- UL Flammability Rating = UL 94V-0
- Mating Alignment = With
- Mating Alignment Type = Polarization

For Use With = Standard Universal MATE-N-LOK Connectors

Operation/Application:

- Application Use = Wire-to-Panel / Wire-to-Wire

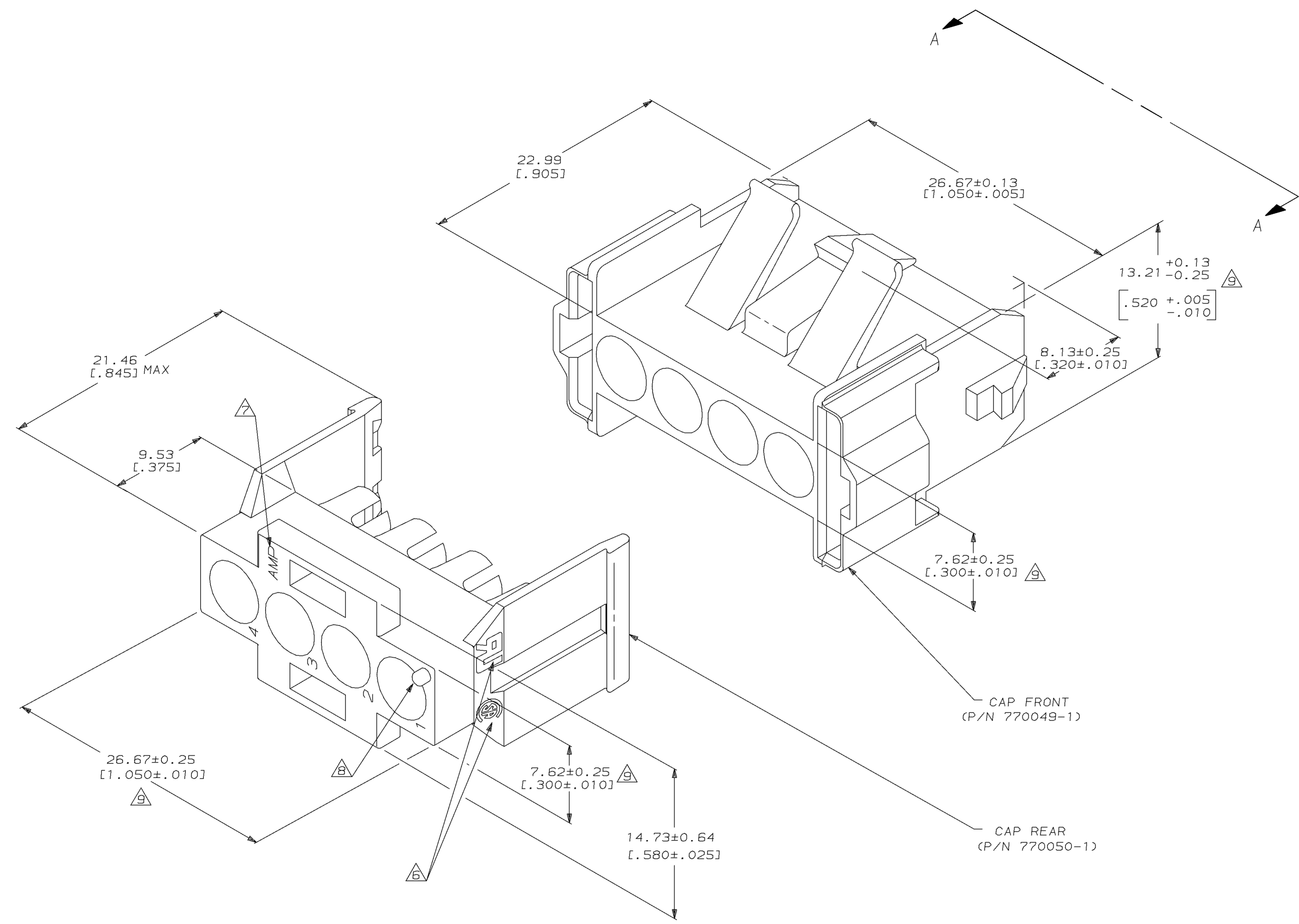
Packaging Features:

- Packaging Method = Package
- Packaging Quantity = 1

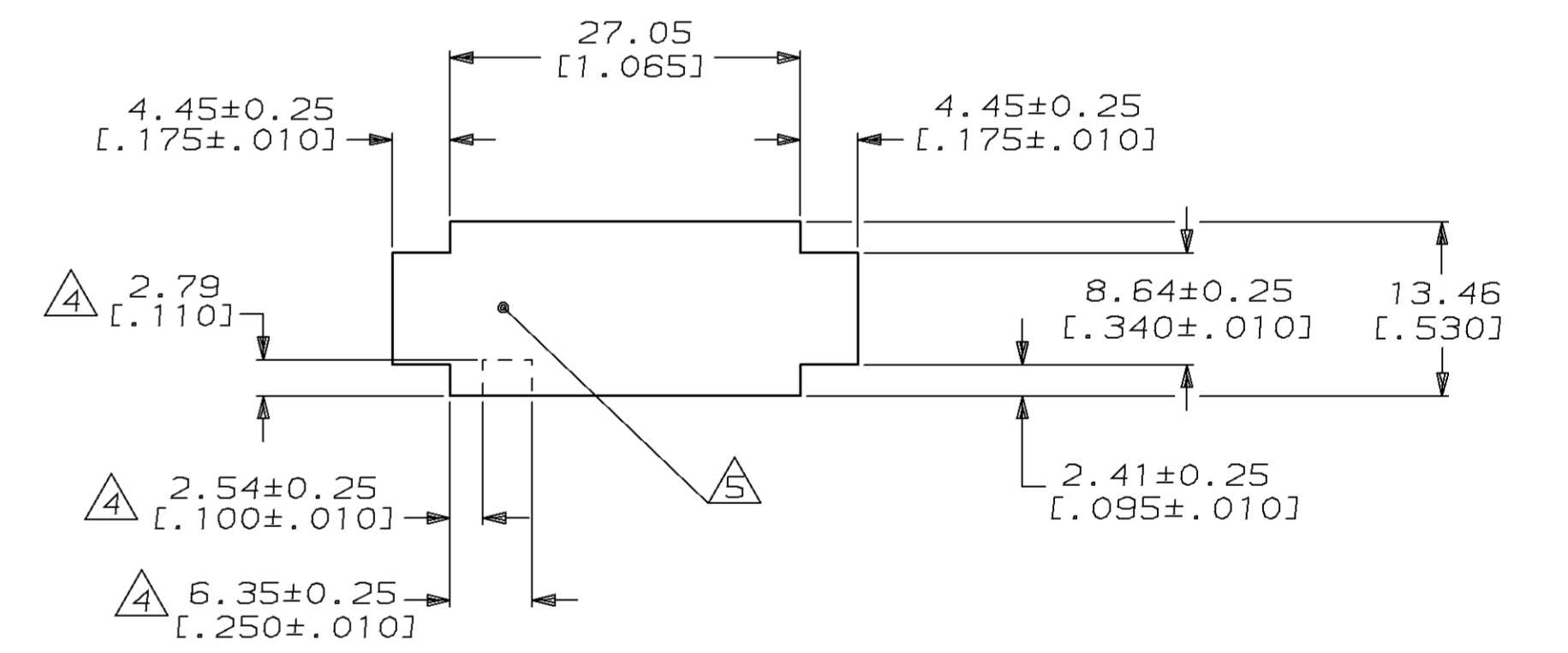
Other:

- Brand = AMP

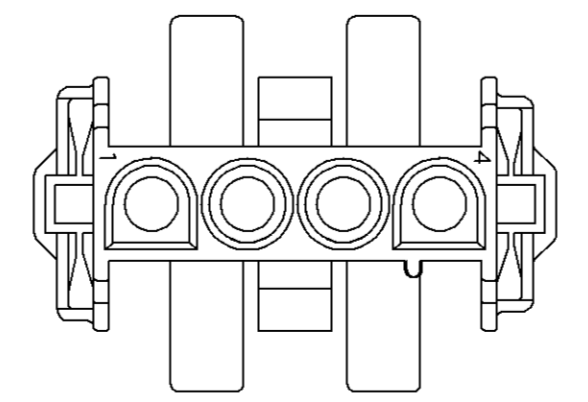
LOC		DIST		P		F		ZONE		LTR		REVISIONS		DATE	APPD
CM	53												REV PER EC OL30-0034-96	8-30-96	JH/R5



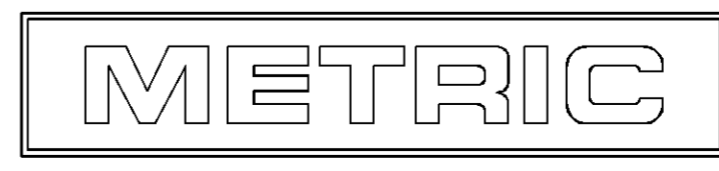
1. BULK PACKAGED, UNASSEMBLED.
2. RECOMMENDED PANEL THICKNESS 0.76-2.29 [1.030-.090].
3. PANEL MUST BE PUNCHED SO THAT THE HOUSING ENTERS THE PANEL IN THE SAME DIRECTION AS THE PUNCH.
4. OPTIONAL FOR KEYING HOUSING IN PANEL.
5. CIRCUIT NO. 1 LOCATON.
6. APPROVAL AGENCY LOGO LOCATED APPROXIMATELY AS SHOWN.
7. AMP LOGO LOCATED THIS SURFACE.
8. CIRCUIT NUMBER ONE IDENTIFICATION BUTTON AND CIRCUIT IDENTIFICATION NUMBERS ARE EACH LOCATED ADJACENT TO THE APPROPRIATE CIRCUIT CAVITIES.
9. DIMENSION INDICATED IS AS MOLDED. ADDITIONAL GROWTH DUE TO SUBSEQUENT MOISTURE ABSORPTION MAY OCCUR.



RECOMMENDED PANEL CUTOUT
 (HOUSING ENTRY SIDE)
 SCALE 2:1



VIEW A-A
 SCALE 2:1



770026-1
 PART NUMBER

DO NOT SCALE PRINT. UNLESS SPECIFIED DIMENSIONS IN INCHES TOLERANCES ON:		DR 1-22-92 K. SALMON		PART NO	
1 PLC DEC ± 0.13 [1.005]		CHK 1-22-92 R. SWING		AMP INCORPORATED Harrisburg, Pa. 17105	
2 PLC DEC ± 0.13 [1.005]		APPD 1-22-92 M. TRULL		NAME	
3 PLC DEC ± 0.13 [1.005]		APPD 1-22-92 M. TRULL		CAP HOUSING KIT, 4 CIRCUIT, IN-LINE, UNIVERSAL MATE-N-LOK™ II	
MATERIAL NYLON, UL94V-0,		PRODUCT SPEC		SIZE D 00779	
FINISH		APPLICATION SPEC		DRAWING NO 770026	
WEIGHT		SCALE 5:1		SHEET 1 OF 1	

CUSTOMER DRAWING