

770070-1 Product Details

[Share](#) [Print](#) [Email](#)



770070-1

TE Internal Number: 770070-1
✔ Active

[View 3D PDF](#)

.198, .200, .250" Centerline, 250 V, 13 A max.

Always EU RoHS/ELV Compliant (Statement of Compliance)

Product Highlights:

- Commercial Pin & Socket Product Line
- Wire-to-Wire
- Connector
- Housing
- Connector Style = Receptacle

[View all Features](#)

Quick Links

- ▶ Pricing & Availability
- ▶ Search for Tooling
- ▶ View Mating Products (2)
- ▶ View Contacts (22)
- ▶ Product Feature Selector
- ▶ Contact Us About This Product

[Add to My Part List](#) [Request Sample](#) [Find Similar Products](#) [Buy Product](#)

Documentation & Additional Information

Product Drawings:

- [RECEPTACLE, 3 CIRCUIT, .093 COMMERCIAL PIN AND SOCKET](#) (PDF, English)

Catalog Pages/Data Sheets:

- [SOFT_SHELL_PIN_SOCKET_CONNECTORS_STANDARD_DENSITY](#) (PDF, English)

Product Specifications:

- [.093 Diameter Commercial Pin and Socket Connector](#) (PDF, English)

Application Specifications:

- [.093 Diameter Pin and Socket Contacts and Housings](#) (PDF, English)

Instruction Sheets:

- None Available

CAD Files: ([CAD Format & Compression Information](#))

- [2D Drawing](#) (DXF, Version T)
- [3D Model](#) (IGES, Version T)
- [3D Model](#) (STEP, Version T)

Related Products:

- [Tooling](#)
- [Mating Products \(2\)](#)
- [Contacts \(22\)](#)

[List all Documents](#)

Product Features (Please use the Product Drawing for all design activity)

Product Type Features:

- Product Line = Commercial Pin & Socket
- Product Type = Connector
- Connector Type = Housing
- UL File Number = E28476
- CSA File Number = LR 7189

Mechanical Attachment:

- Mating Retention Type = Detent Lock
- Panel Mount Retention = Without

Electrical Characteristics:

- Operating Voltage (VAC) = 250
- Operating Voltage Reference = AC

Body Features:

- Mating Retention = With

Contact Features:

- Contact Type = Pin or Socket
- Contact Layout = In-Line
- Sealable = No

Housing Features:

- Connector Style = Receptacle
- Centerline (mm [in]) = 5.03 [0.198]
- Housing Material = Nylon 6/6
- Housing Color = Natural
- Mating Alignment = With
- Mating Alignment Type = Polarization
- UL Flammability Rating = UL 94V-2

Configuration Features:

- Number of Positions = 3
- Number of Rows = 1

Industry Standards:

- [RoHS/ELV Compliance](#) = RoHS compliant, ELV compliant
- [Lead Free Solder Processes](#) = Not relevant for lead free process
- RoHS/ELV Compliance History = Always was RoHS compliant
- Agency/Standard = CSA, UL
- UL Rating = Recognized
- CSA Rating = Certified

Environmental:

- Operating Temperature (°C [°F]) = -55 - +105 [-67 - +221]

Conditions for Usage:

- For Use With = Plug Housing

Operation/Application:

- Application Use = Wire-to-Wire

Packaging Features:

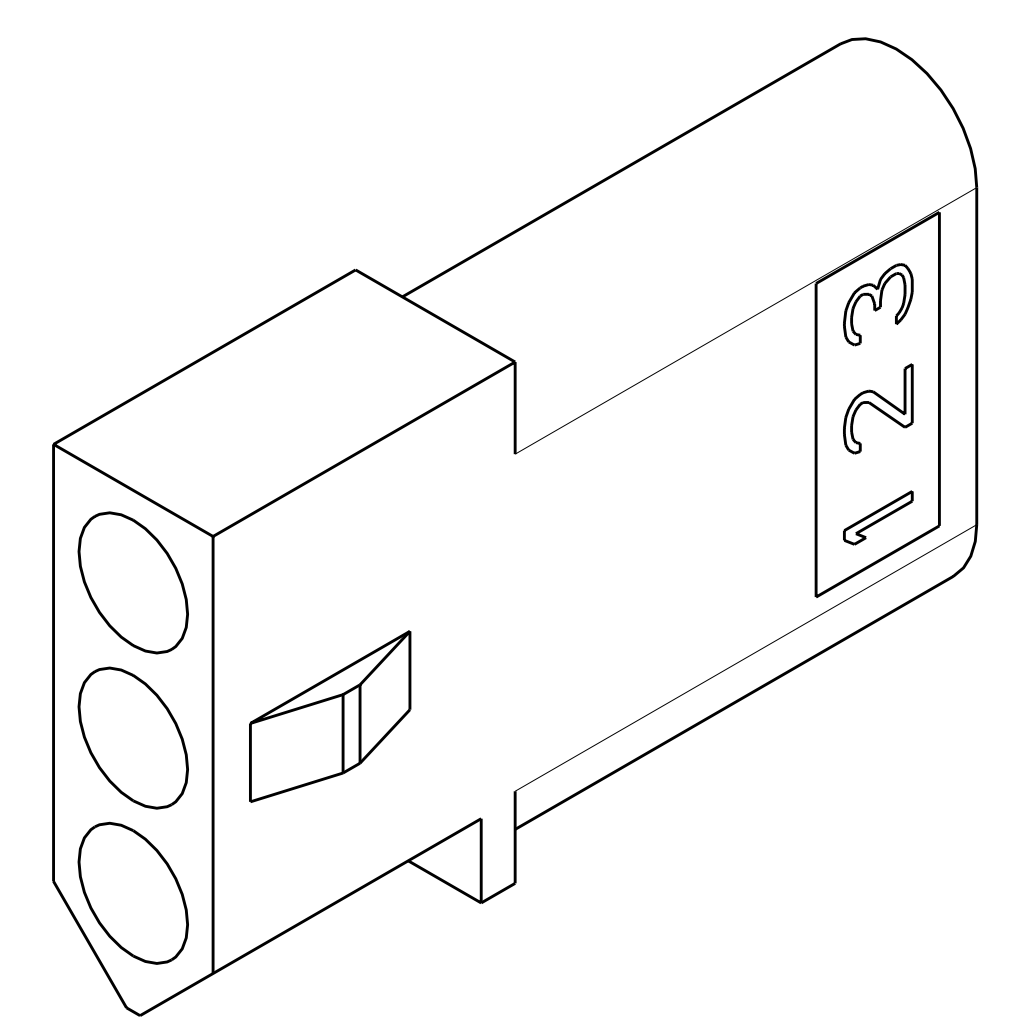
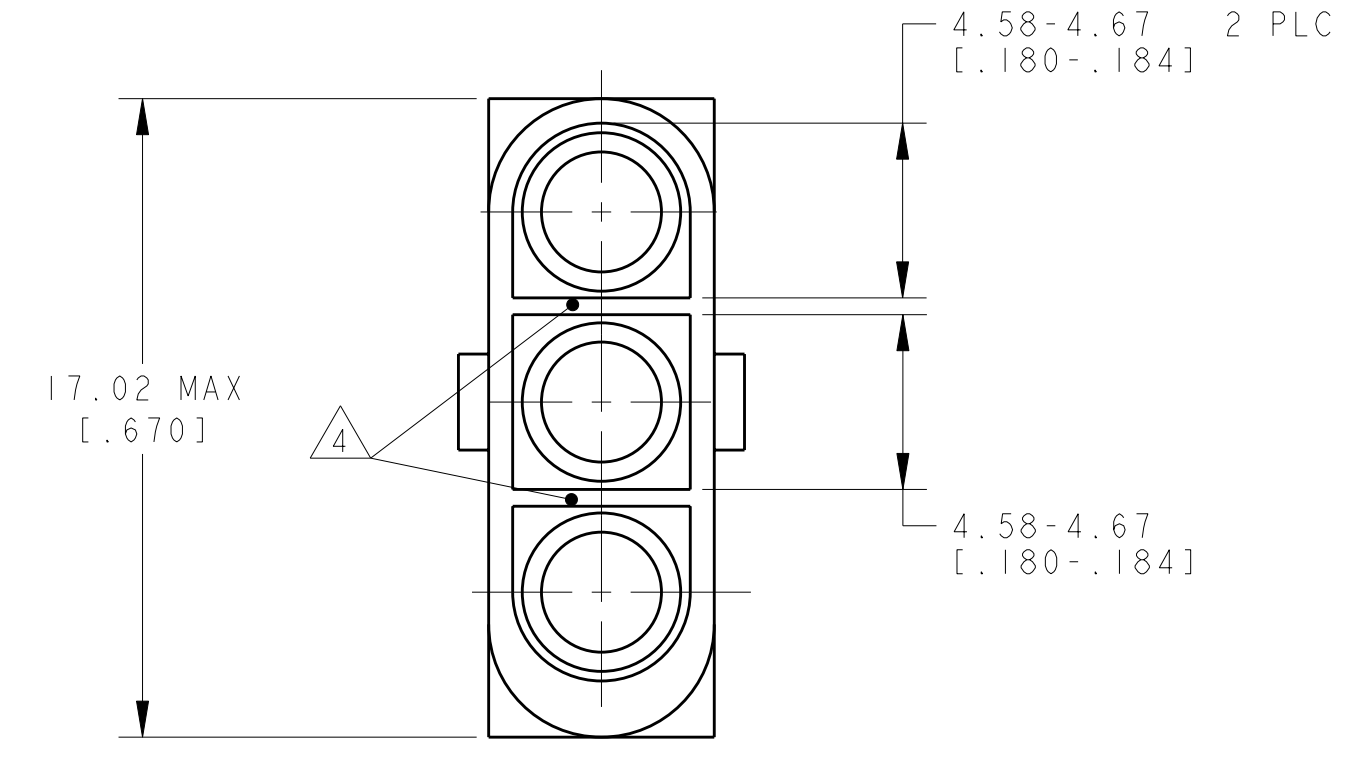
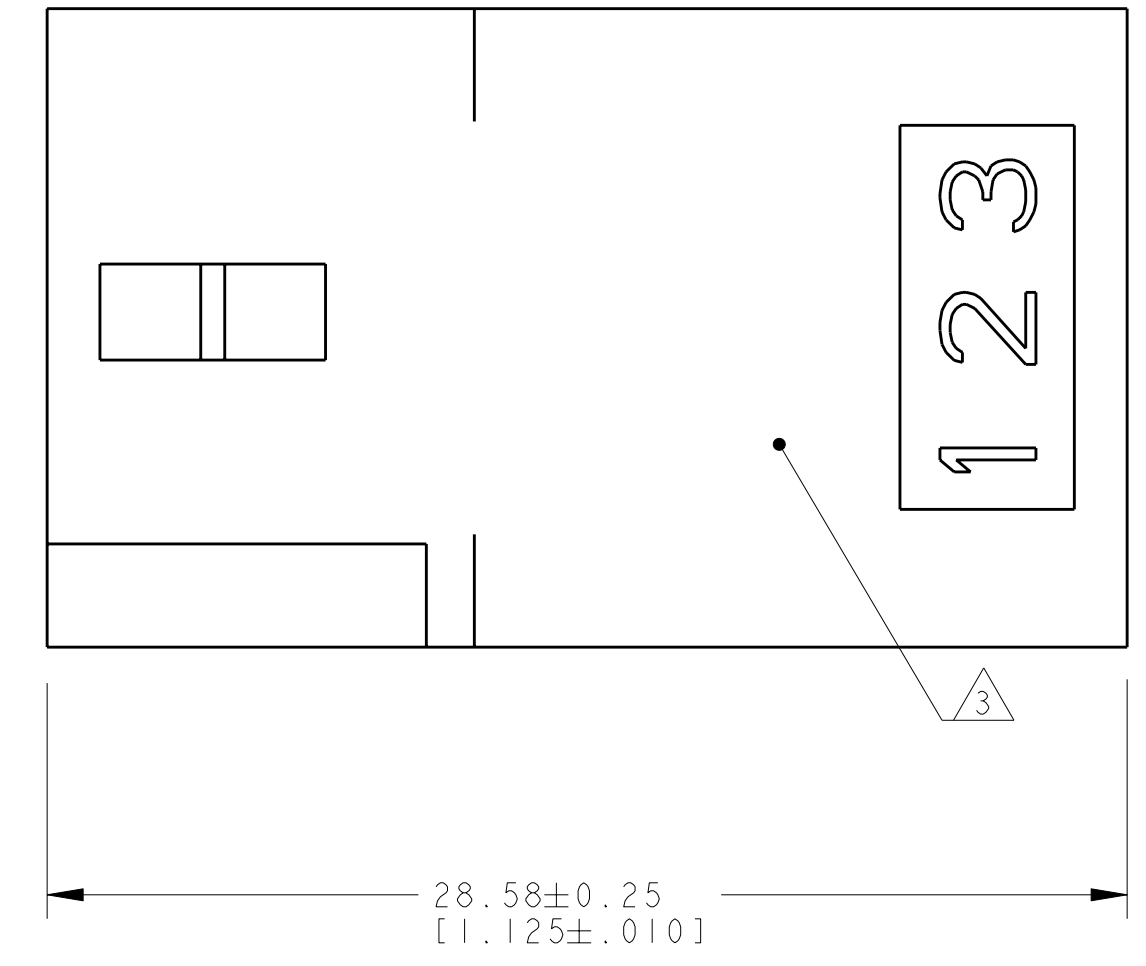
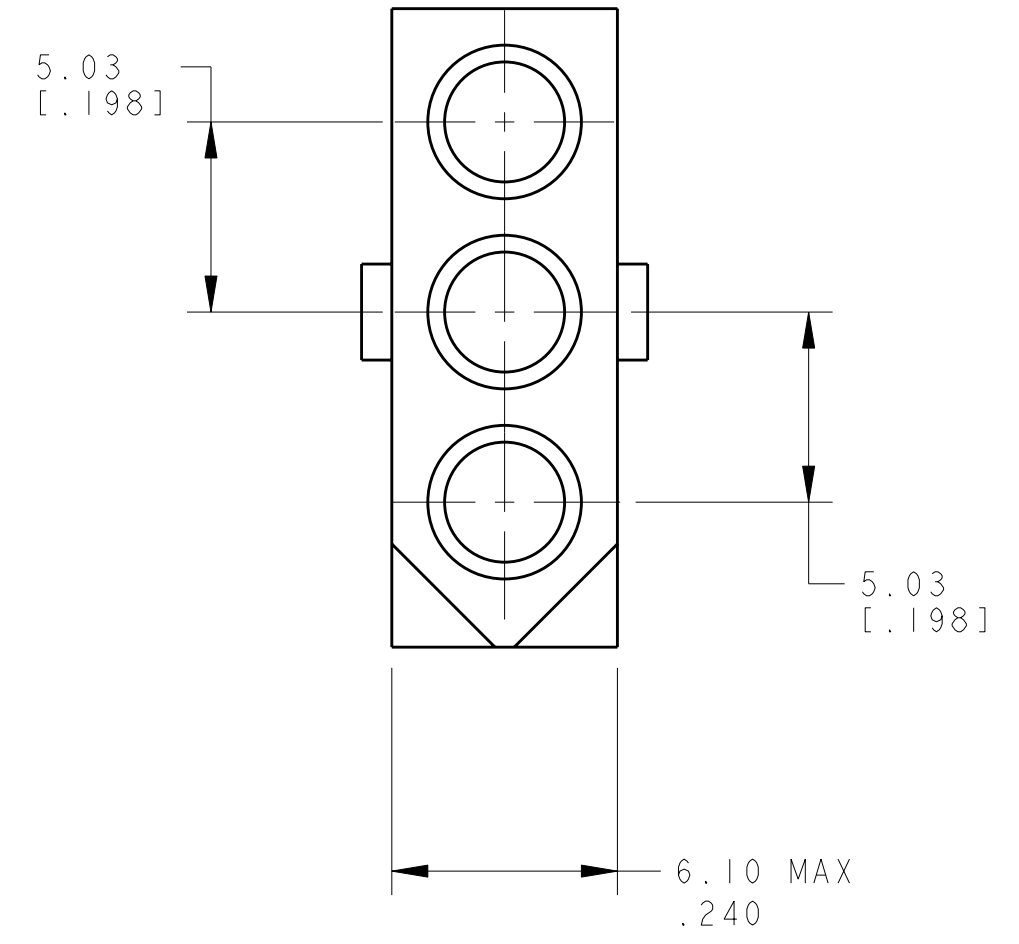
- Packaging Method = Package
- Packaging Quantity = 1

Other:

- Brand = AMP

LOC	DIST	REVISIONS			
CM	00	REV	DATE	BY	APPD
		L2	REVIS PER ECR-09-012310	04JUN2009	HMR KR

- 1 MATERIAL: NYLON, UL94V-2 (NATURAL).
- 2 MARKING FOR UL AND CSA LOGO SHALL BE LOCATED ON ANY EXTERNAL SURFACE.
- 3 AMP LOGO AND CIRCUIT NUMBERS LOCATED IN AREA, EITHER SIDE, SIZE OPTIONAL, FROST BACKGROUND.
- 4 WALL THICKNESS TO MEASURE 0.36-0.46 [.014-.018]
- 5 MATERIAL: NYLON 4/6, NATURAL.
- 6 PRELIMINARY - NOT FOR PRODUCTION.



5	770070-2
4	770070-1
MATERIAL	PART NUMBER

<small>THIS DRAWING IS UNPUBLISHED. RELEASED FOR PUBLICATION. ALL RIGHTS RESERVED. THIS IS SUBJECT TO CHANGE WITHOUT NOTICE AND WITHOUT OBLIGATION. SHOULD BE CONTACTED FOR THE LATEST REVISION.</small>		DWN R. WHITAKER 03AUG2004 CHK D. COLEY 03AUG2004 APVD D. COLEY 03AUG2004	Tyco Electronics Harrisburg, PA 17105-3608
DIMENSIONS: mm [INCHES]	TOLERANCES UNLESS OTHERWISE SPECIFIED: 0 PLC ± 1 PLC ± 2 PLC ±0.13 (1.005) 3 PLC ± 4 PLC ± ANGLES ±40°30'	NAME PRODUCT SPEC APPLICATION SPEC WEIGHT FINISH	RECEPTACLE, 3 CIRCUIT, .093 COMMERCIAL PIN AND SOCKET SIZE CAGE CODE DRAWING NO RESTRICTED TO
MATERIAL SEE TABLE		CUSTOMER DRAWING	A100779C=770070 SCALE 5:1 SHEET 1 OF 1 REV L2

METRIC