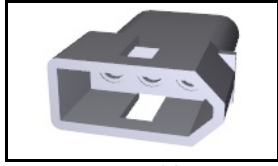


770074-1 Product Details




770074-1

TE Internal Number: 770074-1



Active

.198, .200, .250" Centerline, 250 V, 13 A max.

 Always EU RoHS/ELV Compliant
(Statement of Compliance)

Product Highlights:

- Commercial Pin & Socket Product Line
- Wire-to-Wire
- Connector
- Housing
- Connector Style = Plug

Documentation & Additional Information

Product Drawings:

- [PLUG, 3 CIRCUIT, .093 COMMERCIAL PIN AND SOCKET](#) (PDF, English)

Catalog Pages/Data Sheets:

- [SOFT_SHELL_PIN_SOCKET_CONNECTORS_STANDARD_DENSITY](#) (PDF, English)

Product Specifications:

- [.093 Diameter Commercial Pin and Socket Connector](#) (PDF, English)

Application Specifications:

- [.093 Diameter Pin and Socket Contacts and Housings](#) (PDF, English)

Instruction Sheets:

- None Available

CAD Files: (CAD Format & Compression Information)

- [2D Drawing](#) (DXF, Version N)
- [3D Model](#) (IGES, Version N)
- [3D Model](#) (STEP, Version N)

Related Products:

- [Tooling](#)
- [Mating Products \(3\)](#)
- [Contacts \(22\)](#)

Product Features (Please use the Product Drawing for all design activity)

Product Type Features:

- Product Line = Commercial Pin & Socket
- Product Type = Connector
- Connector Type = Housing
- UL File Number = E28476
- CSA File Number = LR 7189

Mechanical Attachment:

- Mating Retention Type = Detent Lock
- Panel Mount Retention = Without

Electrical Characteristics:

- Operating Voltage (VAC) = 250
- Operating Voltage Reference = AC

Body Features:

- Mating Retention = With

Contact Features:

- Contact Type = Pin or Socket
- Contact Layout = In-Line
- Sealable = No

Housing Features:

Configuration Features:

- Number of Positions = 3
- Number of Rows = 1

Industry Standards:

- [RoHS/ELV Compliance](#) = RoHS compliant, ELV compliant
- [Lead Free Solder Processes](#) = Not relevant for lead free process
- RoHS/ELV Compliance History = Always was RoHS compliant
- Agency/Standard = CSA, UL
- UL Rating = Recognized
- CSA Rating = Certified

Environmental:

- Operating Temperature (°C [°F]) = -55 - +105 [-67 - +221]

Conditions for Usage:

- For Use With = Receptacle Housing

Operation/Application:

- Application Use = Wire-to-Wire

- Connector Style = Plug
- Centerline (mm [in]) = 5.03 [0.198]
- Housing Material = Nylon 6/6
- Housing Color = Natural
- Mating Alignment = With
- Mating Alignment Type = Polarization
- UL Flammability Rating = UL 94V-2

Packaging Features:

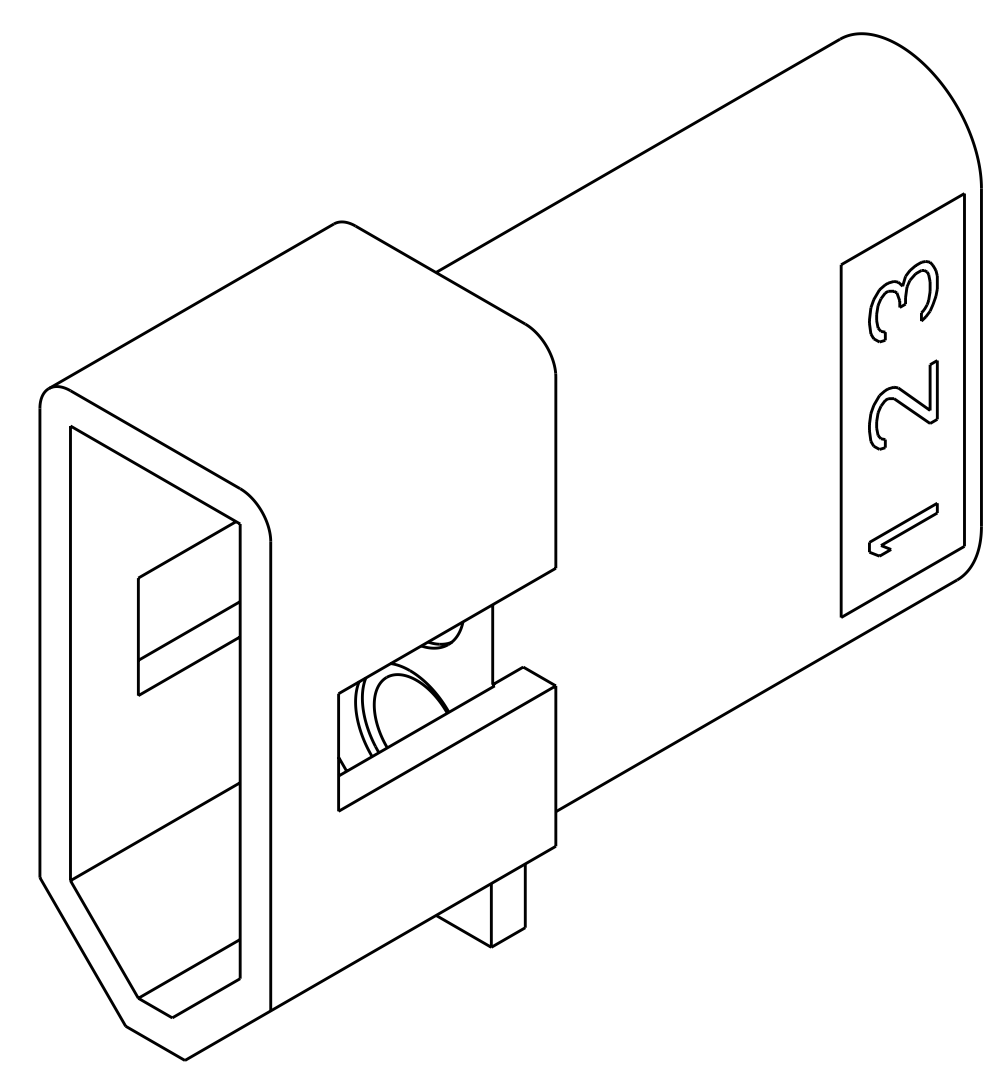
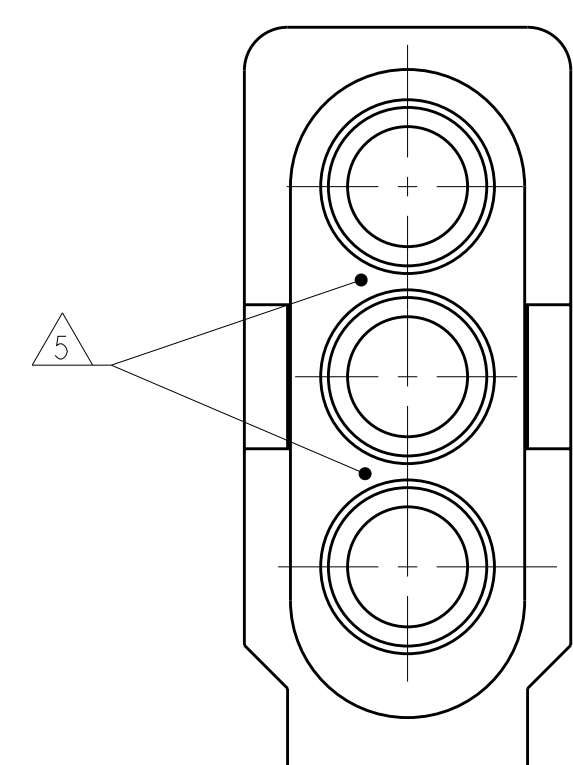
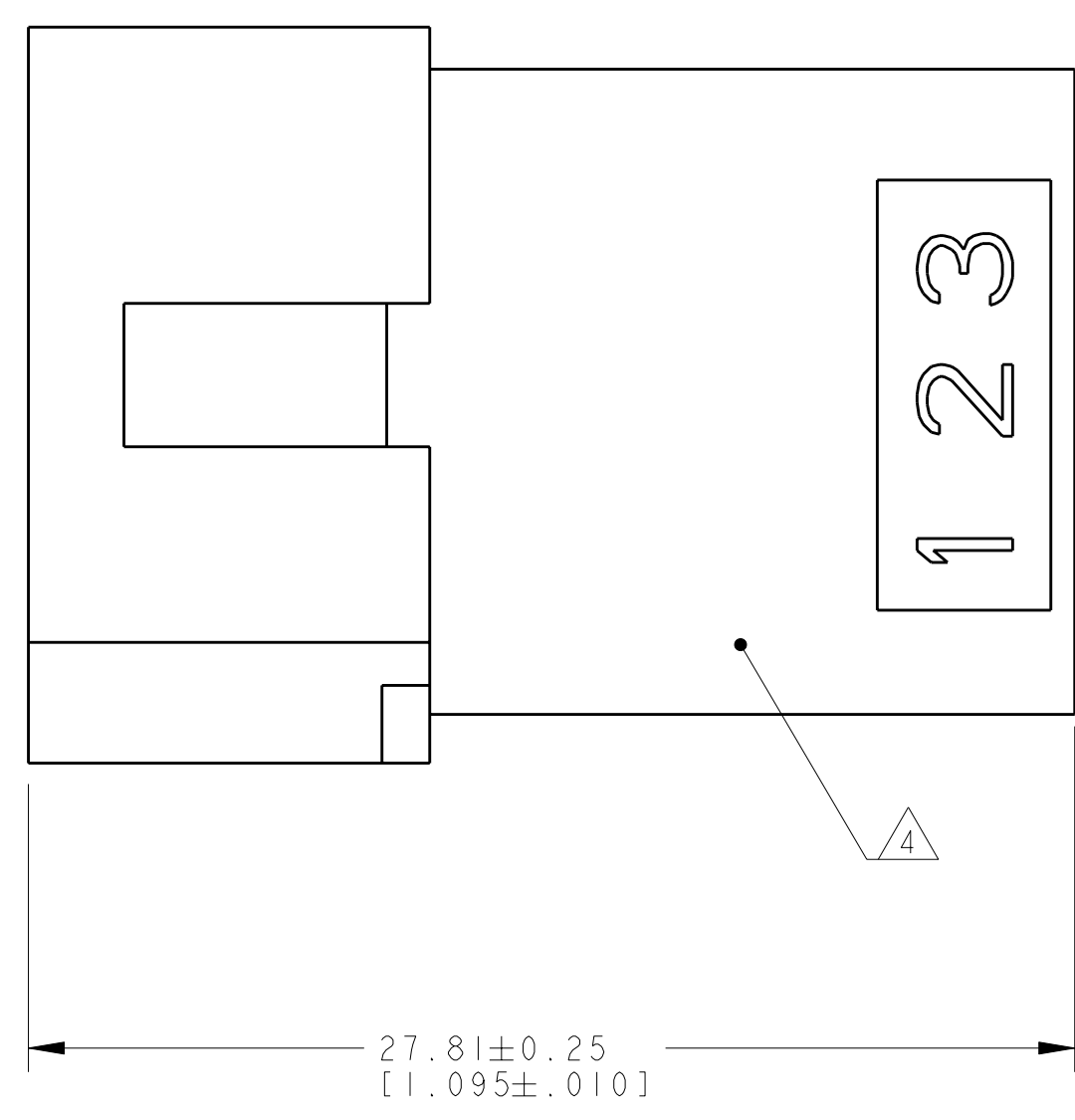
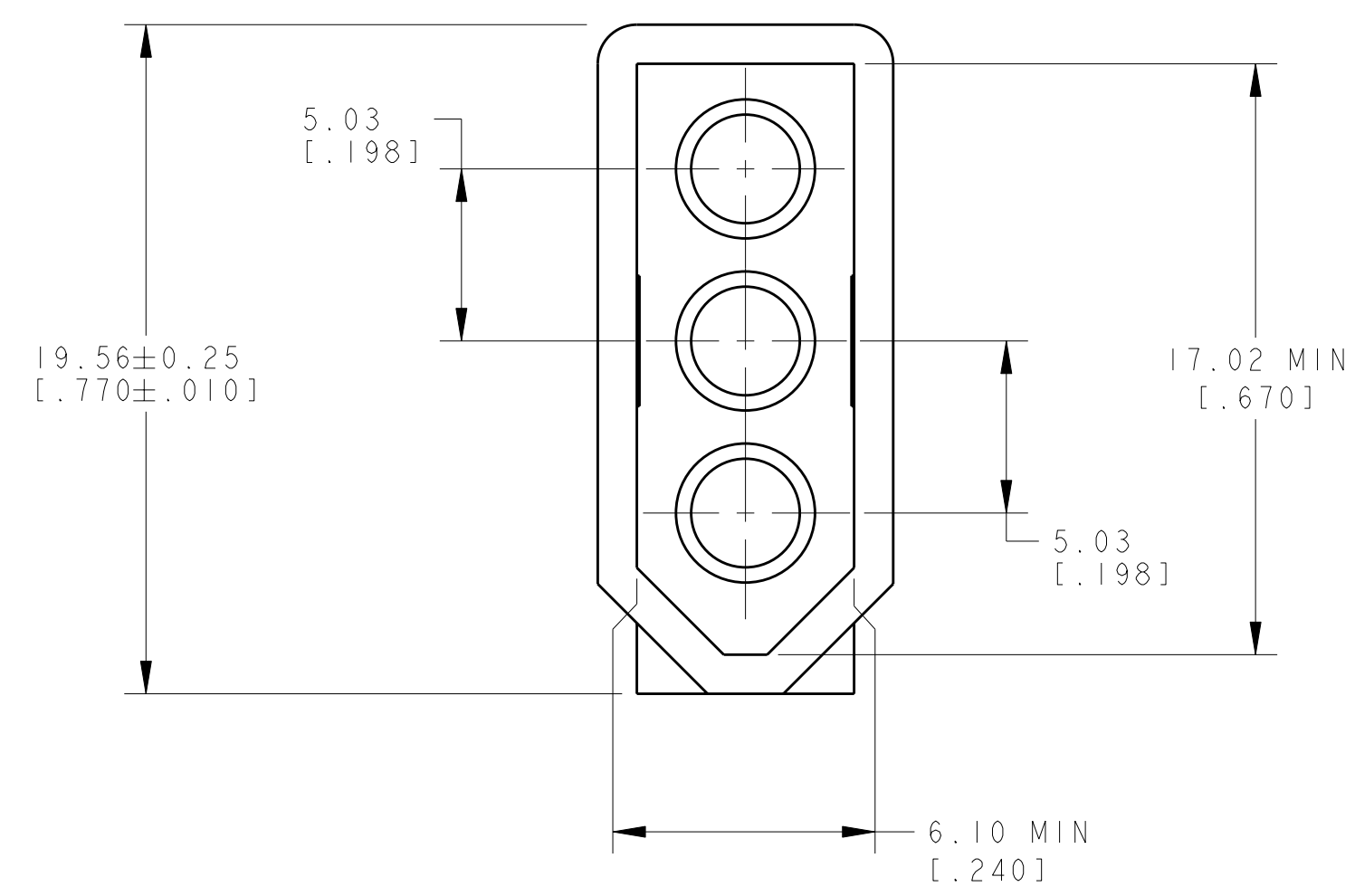
- Packaging Method = Package
- Packaging Quantity = 1

Other:

- Brand = AMP

LOC	DIST	REVISIONS			
CM	00	REV	DATE	BY	APPD
		N1	REVIS PER ECO-11-005027	16MAY2011	RK HMR

- 1. MATERIAL: NYLON UL94V-2 (NATURAL).
- 2. RECOMMENDED PANEL THICKNESS 2.29 [.090] MAX.
- 3. MARKING FOR UL AND CSA LOGO SHALL BE LOCATED ON ANY EXTERNAL SURFACE.
- 4. AMP LOGO AND CIRCUIT NUMBERS LOCATED IN AREA, EITHER SIDE, SIZE OPTIONAL, FROST BACKGROUND.
- 5. WALL THICKNESS TO MEASURE 0.36-0.51 [.014-.020].



METRIC

770074-1
PART NUMBER

THIS DRAWING IS A CONTROLLED DOCUMENT.		DWN: R. WHITAKER 05AUG2004	TE Connectivity
DIMENSIONS: mm [INCHES]		CHK: D. COLEY 05AUG2004	
TOLERANCES UNLESS OTHERWISE SPECIFIED:		APVD: D. COLEY 05AUG2004	NAME: PLUG, 3 CIRCUIT, .093 COMMERCIAL PIN AND SOCKET
0 PLC ±	1 PLC ±	PRODUCT SPEC	SIZE: CAGE CODE DRAWING NO
2 PLC ±	3 PLC ±0.13 (1.005)	APPLICATION SPEC	RESTRICTED TO
4 PLC ±	ANGLES ±	WEIGHT	A100779C=770074
FINISH ±	±0°30'	CUSTOMER DRAWING	SCALE 5:1 SHEET 1 OF 1 REV N1