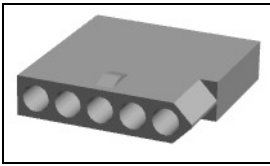


## 770083-1 Product Details

[Share](#) [Print](#) [Email](#)



**770083-1**

TE Internal Number: 770083-1

Active

[View 3D PDF](#)

**.198, .200, .250" Centerline, 250 V, 13 A max.**

Always EU RoHS/ELV Compliant (Statement of Compliance)

**Product Highlights:**

- Commercial Pin & Socket Product Line
- Wire-to-Wire
- Connector
- Housing
- Connector Style = Receptacle

[View all Features](#)

**Quick Links**

- ▶ Pricing & Availability
- ▶ Search for Tooling
- ▶ View Mating Products (1)
- ▶ View Contacts (22)
- ▶ Product Feature Selector
- ▶ Contact Us About This Product

[Add to My Part List](#) [Request Sample](#) [Find Similar Products](#) [Buy Product](#)

### Documentation & Additional Information

**Product Drawings:**

- [RECEPTACLE, 5 CIRCUIT, .093 COMMERCIAL PIN AND SOCKET](#) (PDF, English)

**Catalog Pages/Data Sheets:**

- [SOFT\\_SHELL\\_PIN\\_SOCKET\\_CONNECTORS\\_STANDARD\\_DENSITY](#) (PDF, English)

**Product Specifications:**

- [.093 Diameter Commercial Pin and Socket Connector](#) (PDF, English)

**Application Specifications:**

- [.093 Diameter Pin and Socket Contacts and Housings](#) (PDF, English)

**Instruction Sheets:**

- None Available

**CAD Files:** ([CAD Format & Compression Information](#))

- [2D Drawing](#) (DXF, Version G)
- [3D Model](#) (IGES, Version G)
- [3D Model](#) (STEP, Version G)

**Related Products:**

- [Tooling](#)
- [Mating Products \(1\)](#)
- [Contacts \(22\)](#)

[List all Documents](#)

### Product Features (Please use the Product Drawing for all design activity)

**Product Type Features:**

- Product Line = Commercial Pin & Socket
- Product Type = Connector
- Connector Type = Housing
- UL File Number = E28476
- CSA File Number = LR 7189

**Mechanical Attachment:**

- Mating Retention Type = Detent Lock
- Panel Mount Retention = Without

**Electrical Characteristics:**

- Operating Voltage (VAC) = 250
- Operating Voltage Reference = AC

**Body Features:**

- Mating Retention = With

**Contact Features:**

- Contact Type = Pin or Socket
- Contact Layout = In-Line
- Sealable = No

**Housing Features:**

- Connector Style = Receptacle
- Centerline (mm [in]) = 5.03 [0.198]
- Housing Material = Nylon 6/6
- Housing Color = Natural
- Mating Alignment = With
- Mating Alignment Type = Polarization
- UL Flammability Rating = UL 94V-2

**Configuration Features:**

- Number of Positions = 5
- Number of Rows = 1

**Industry Standards:**

- [RoHS/ELV Compliance](#) = RoHS compliant, ELV compliant
- [Lead Free Solder Processes](#) = Not relevant for lead free process
- RoHS/ELV Compliance History = Always was RoHS compliant
- Agency/Standard = CSA, UL
- UL Rating = Recognized
- CSA Rating = Certified

**Environmental:**

- Operating Temperature (°C [°F]) = -55 - +105 [-67 - +221]

**Conditions for Usage:**

- For Use With = Plug Housing

**Operation/Application:**

- Application Use = Wire-to-Wire

**Packaging Features:**

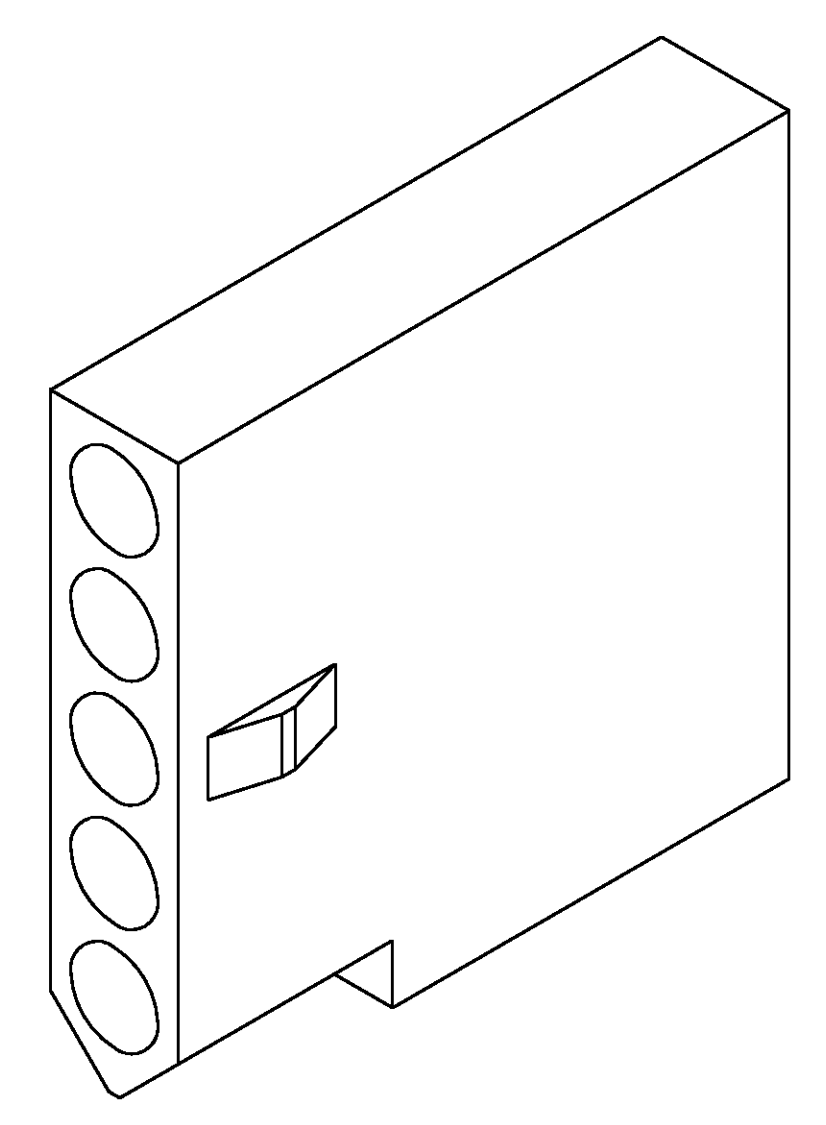
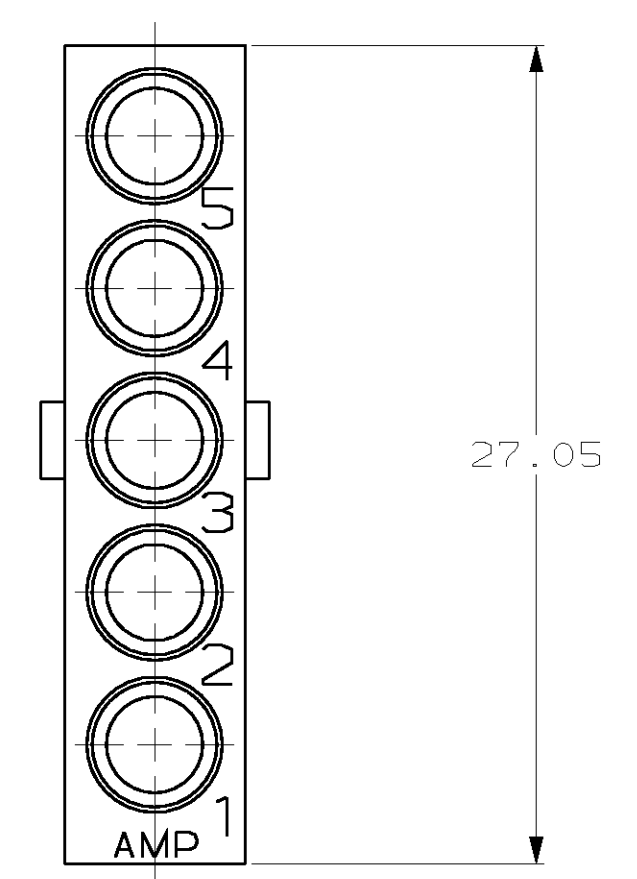
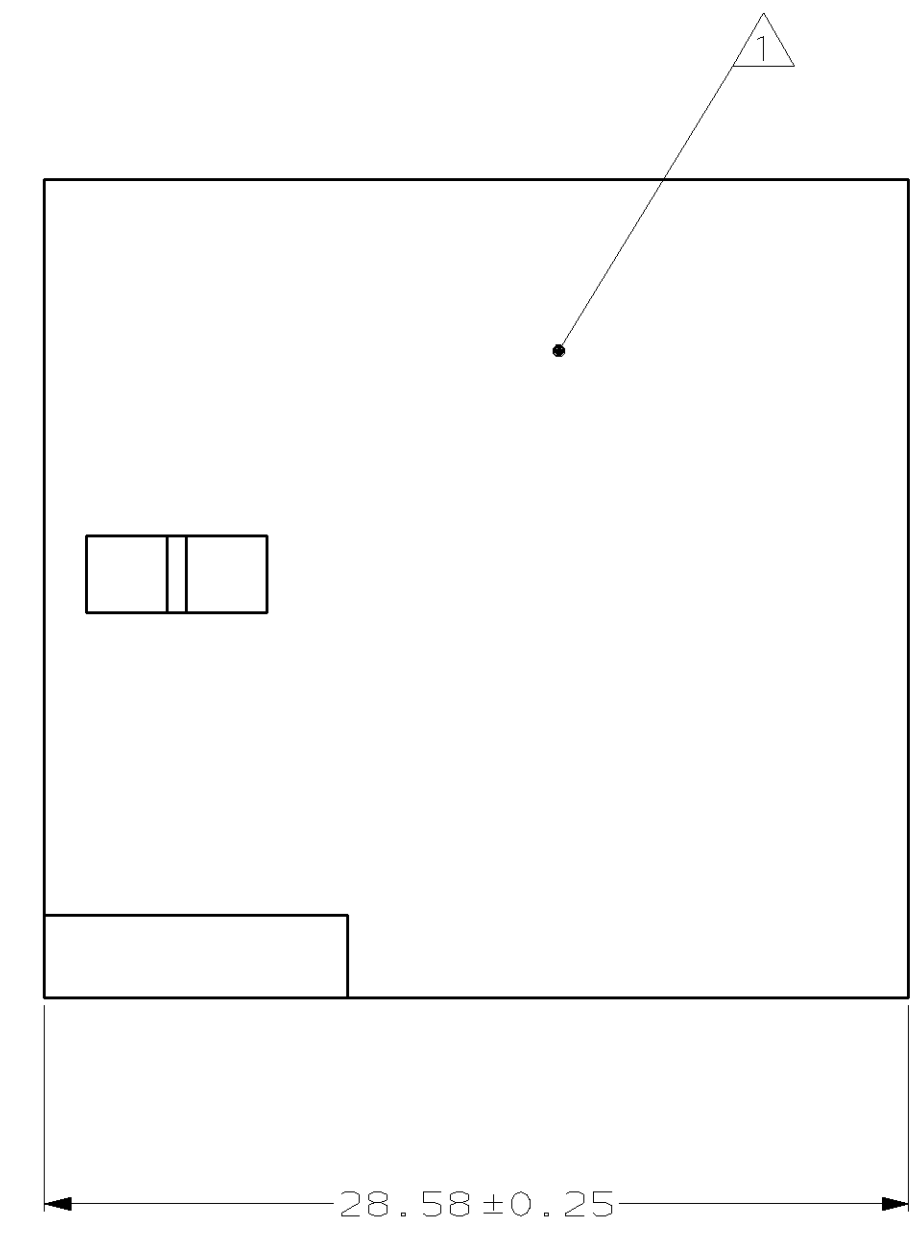
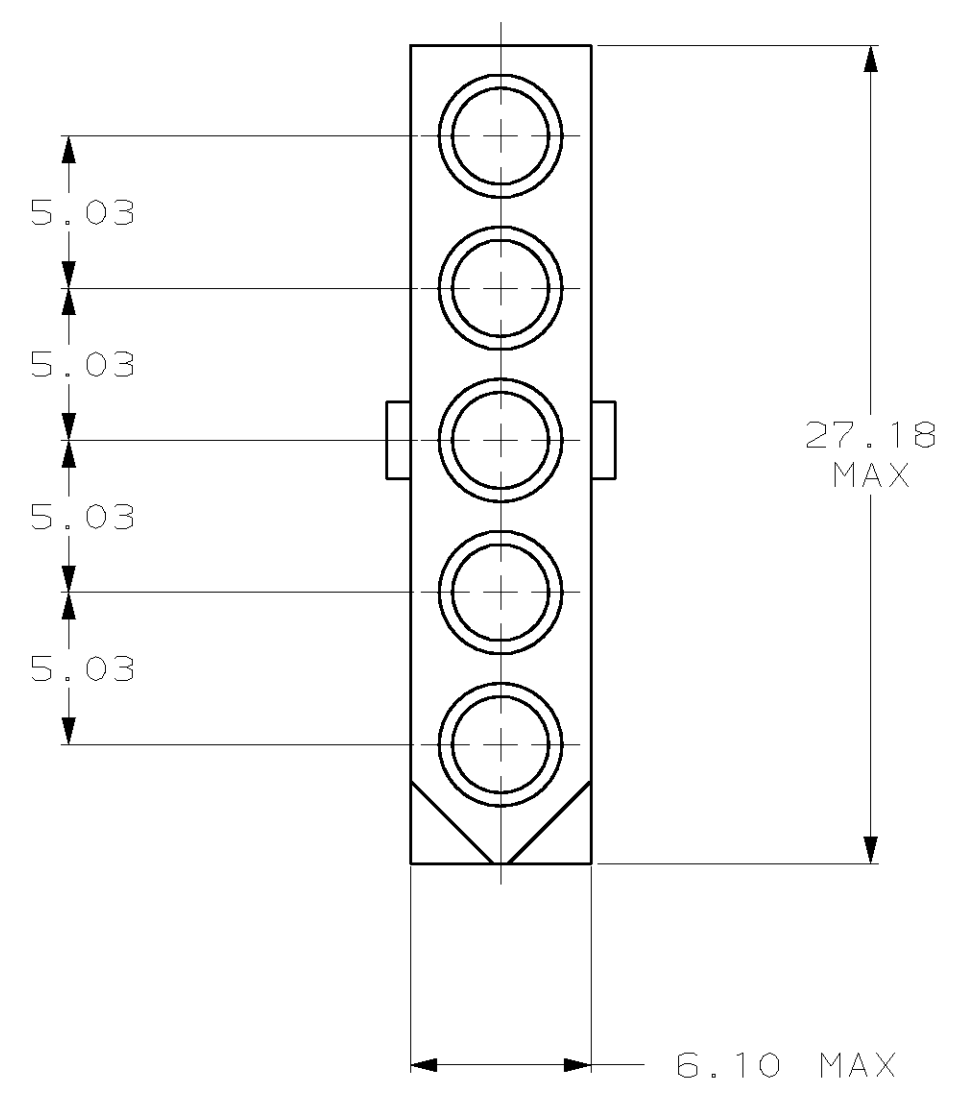
- Packaging Method = Package
- Packaging Quantity = 1

**Other:**

- Brand = AMP

LOC	DIST	REVISIONS				
		REV	DESCRIPTION	DATE	OWN	APVD
CM	53	G	REV & REDWN PER EC 0G1B-0014-99	12-FEB-99	KW	RS

1 MARKING FOR UL LOGO AND CSA LOGO LOCATED APPROXIMATELY AS SHOWN.



3-DIMENSIONAL MODEL  
NTS

28.58	1.125
27.18	1.070
27.05	1.065
6.10	.240
5.03	.198
2.36	.093
0.25	.010
0.13	.005
MM	IN

CONVERSION TABLE

770083-1  
PART NUMBER



THIS DRAWING IS A CONTROLLED DOCUMENT.		Dwn K. WHITAKER 12-FEB-1999	AMP Incorporated Harrisburg, PA 17105-3608
DIMENSIONS:		Chk R. SWING 12-FEB-1999	NAME RECEPTACLE, 5 CIRCUIT, .093 COMMERCIAL PIN AND SOCKET
TOLERANCES UNLESS OTHERWISE SPECIFIED:		APVD K. CORLE 12-FEB-1999	RESTRICTED TO
mm	0 PLC ± 1 PLC ± 2 PLC ±0.13 3 PLC ± 4 PLC ± ANGLES ±	PRODUCT SPEC	SIZE CAGE CODE DRAWING NO
MATERIAL NYLON, JL 94V-2, NATURAL		APPLICATION SPEC	A100779 770083
FINISH -		WEIGHT -	CUSTOMER DRAWING
SCALE 4:1		SHEET 1 OF 1	REV G