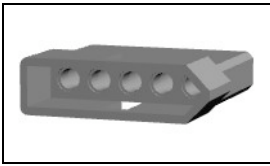


770084-1 Product Details

[Share](#) [Print](#) [Email](#)



770084-1

TE Internal Number: 770084-1

Active

[View 3D PDF](#)

.198, .200, .250" Centerline, 250 V, 13 A max.

Always EU RoHS/ELV Compliant (Statement of Compliance)

Product Highlights:

- Commercial Pin & Socket Product Line
- Wire-to-Wire
- Connector
- Housing
- Connector Style = Plug

[View all Features](#)

Quick Links

- ▶ [Pricing & Availability](#)
- ▶ [Search for Tooling](#)
- ▶ [View Mating Products \(1\)](#)
- ▶ [View Contacts \(22\)](#)
- ▶ [Product Feature Selector](#)
- ▶ [Contact Us About This Product](#)

[Add to My Part List](#) [Request Sample](#) [Find Similar Products](#) [Buy Product](#)

Documentation & Additional Information

Product Drawings:

- [PLUG, 5 CIRCUIT](#), (PDF, English)

Catalog Pages/Data Sheets:

- [SOFT_SHELL_PIN_SOCKET_CONNECTORS_STANDARD_DENSITY](#) (PDF, English)

Product Specifications:

- [.093 Diameter Commercial Pin and Socket Connector](#) (PDF, English)

Application Specifications:

- [.093 Diameter Pin and Socket Contacts and Housings](#) (PDF, English)

Instruction Sheets:

- None Available

CAD Files: ([CAD Format & Compression Information](#))

- [2D Drawing](#) (DXF, Version H)
- [3D Model](#) (IGES, Version H)
- [3D Model](#) (STEP, Version H)

Related Products:

- [Tooling](#)
- [Mating Products \(1\)](#)
- [Contacts \(22\)](#)

[List all Documents](#)

Product Features (Please use the Product Drawing for all design activity)

Product Type Features:

- Product Line = Commercial Pin & Socket
- Product Type = Connector
- Connector Type = Housing
- UL File Number = E28476
- CSA File Number = LR 7189

Mechanical Attachment:

- Mating Retention Type = Detent Lock
- Panel Mount Retention = Without

Electrical Characteristics:

- Operating Voltage (VAC) = 250
- Operating Voltage Reference = AC

Body Features:

- Mating Retention = With

Contact Features:

- Contact Type = Pin or Socket
- Contact Layout = In-Line
- Sealable = No

Housing Features:

- Connector Style = Plug
- Centerline (mm [in]) = 5.03 [0.198]
- Housing Material = Nylon 6/6
- Housing Color = Natural
- Mating Alignment = With
- Mating Alignment Type = Polarization
- UL Flammability Rating = UL 94V-2

Configuration Features:

- Number of Positions = 5
- Number of Rows = 1

Industry Standards:

- [RoHS/ELV Compliance](#) = RoHS compliant, ELV compliant
- [Lead Free Solder Processes](#) = Not relevant for lead free process
- RoHS/ELV Compliance History = Always was RoHS compliant
- Agency/Standard = CSA, UL
- UL Rating = Recognized
- CSA Rating = Certified

Environmental:

- Operating Temperature (°C [°F]) = -55 - +105 [-67 - +221]

Conditions for Usage:

- For Use With = Receptacle Housing

Operation/Application:

- Application Use = Wire-to-Wire

Packaging Features:

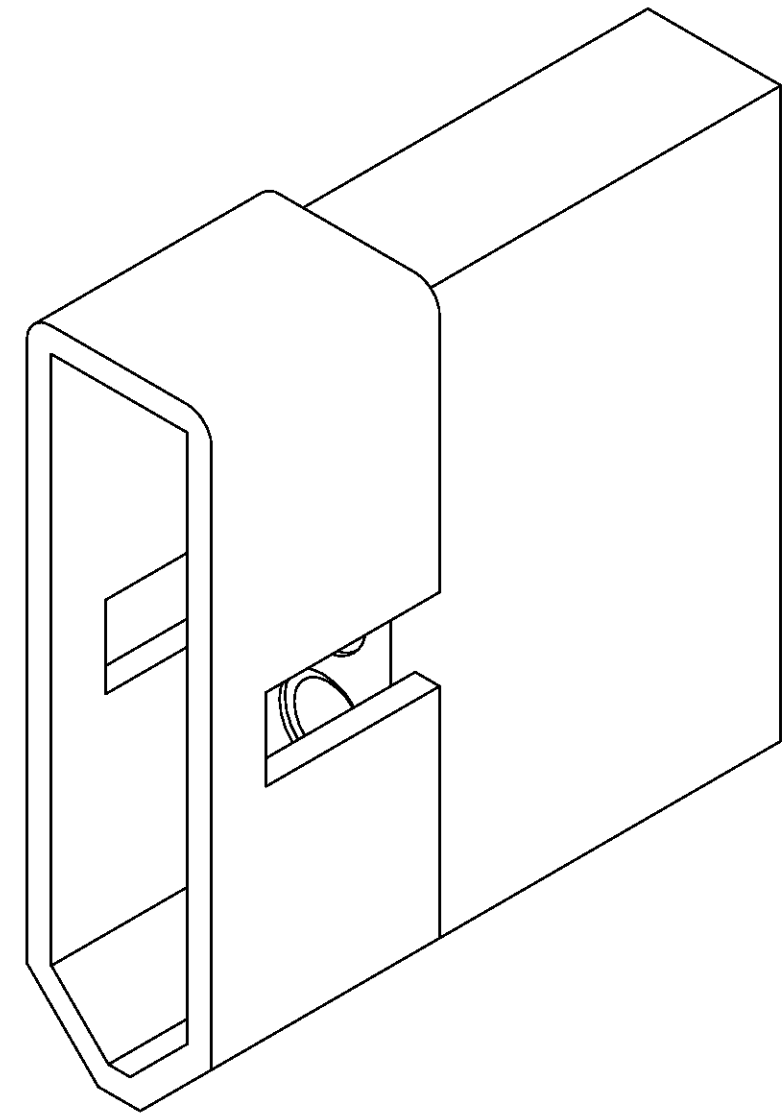
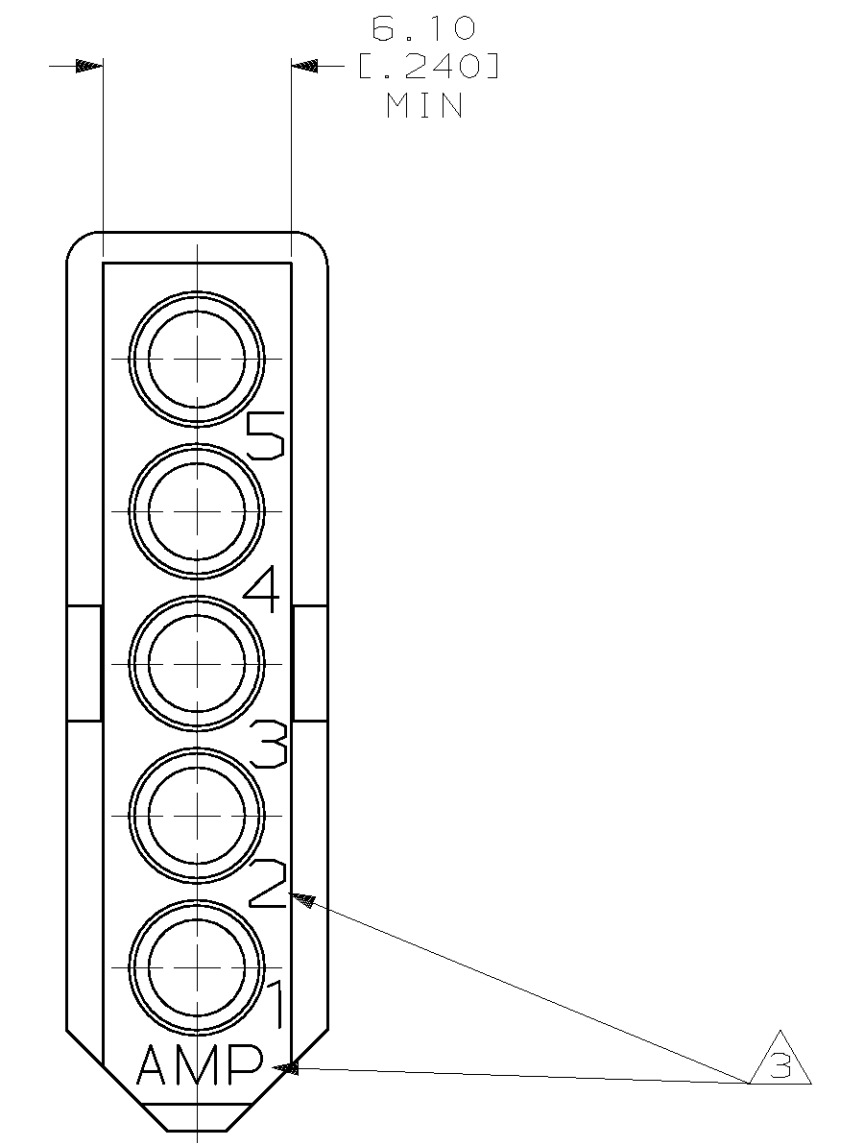
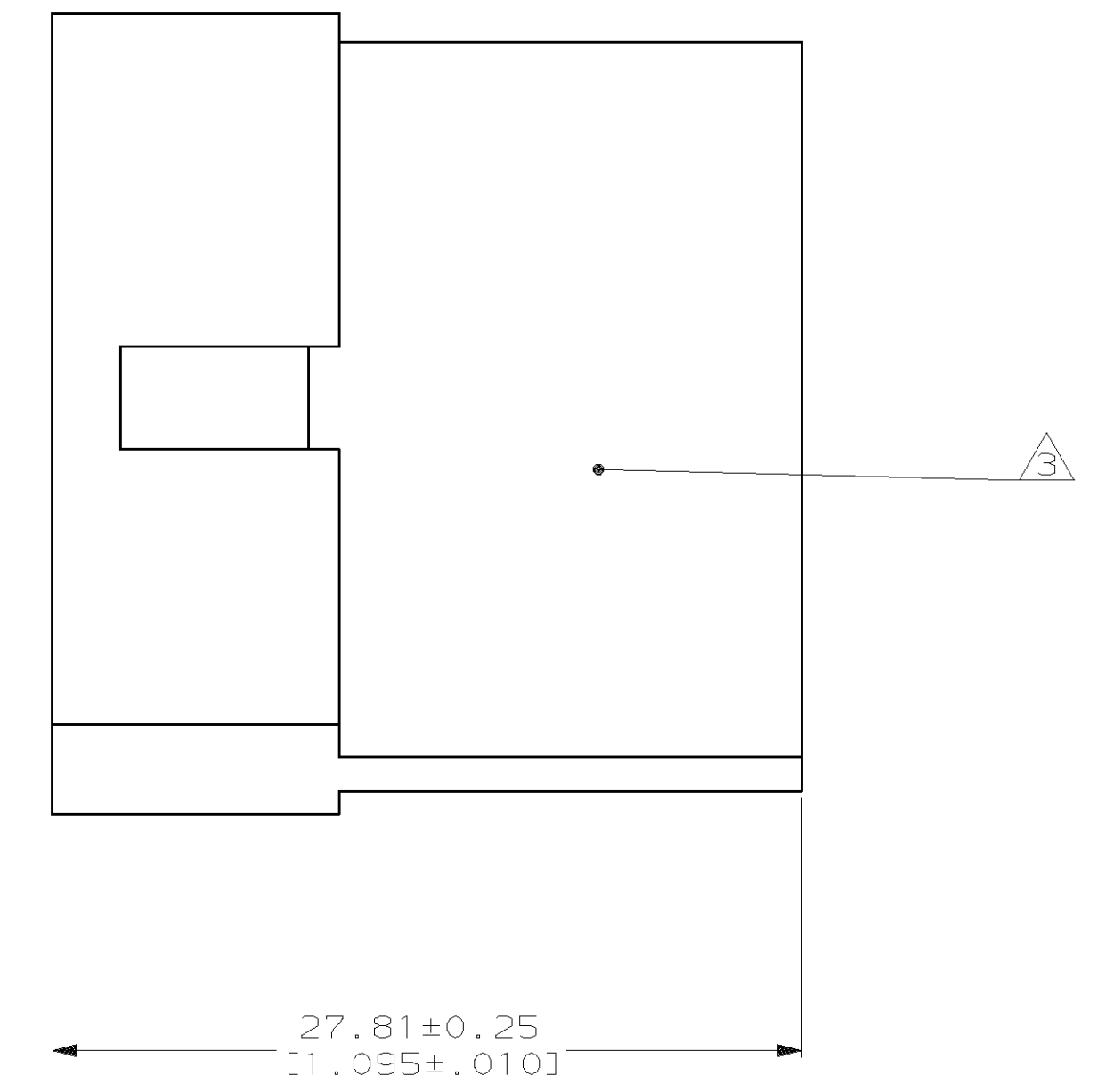
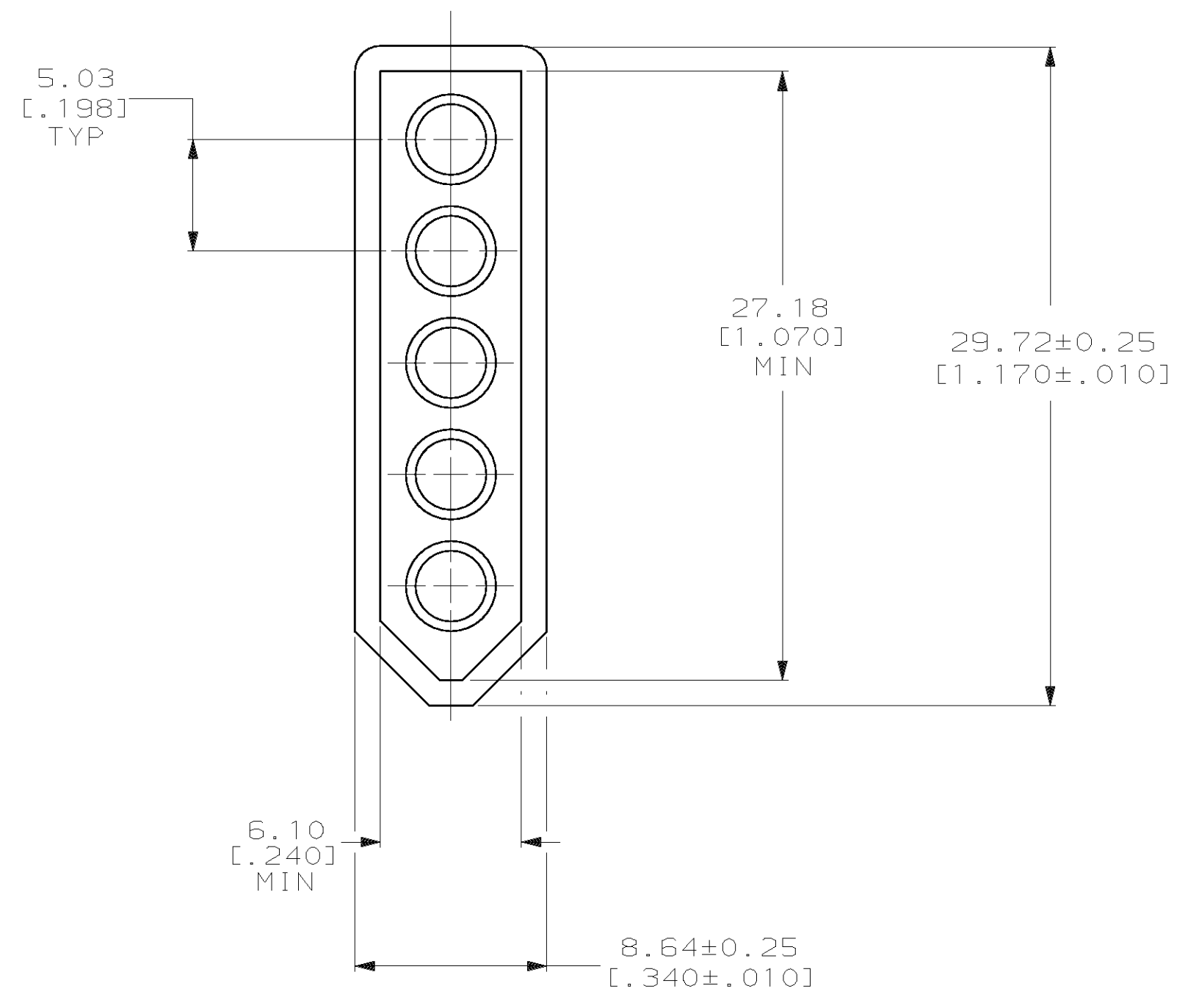
- Packaging Method = Package
- Packaging Quantity = 1

Other:

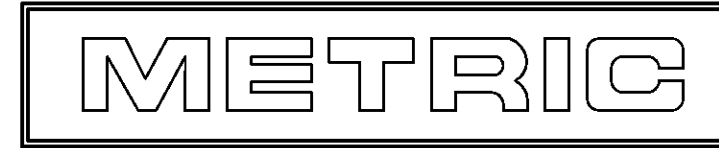
- Brand = AMP

LOC		DIST		P		F		ZONE		LTR		REVISIONS		DATE	APPD
CM	53											H	REV PER EC 0L30-0025-97	3-4-97	JH RS

- 1. AMP LOGO AND CIRCUIT I.D. LOCATED APPROX. AS SHOWN.
- 2. DIMENSIONS IN BRACKETS ARE IN INCHES.
- 3. MARKING FOR UL LOGO AND CSA LOGO LOCATED APPROX. AS SHOWN.



3-DIMENSIONAL MODEL
NTS



DO NOT SCALE PRINT. UNLESS SPECIFIED DIMENSIONS IN mm [INCHES] TOLERANCES ON: 2 PLC DEC ± 0.13 [.005] 3 PLC DEC ± - ANGLES ± -		DR 1-27-94 K. SALMON	770084-1 PART NO		
MATERIAL NYLON, UL 94V-2 NATURAL	CHK 1-27-94 R. SWING	APPD 1-31-94 C. CASH	AMP Incorporated Harrisburg, PA 17105-3608		
FINISH -	APPD 1-31-94 C. CASH	PRODUCT SPEC -	NAME PLUG, 5 CIRCUIT, COMMERCIAL PIN AND SOCKET		
APPLICATION SPEC -	APPD 1-31-94 C. CASH	SIZE D	CAGE CODE 00779	DRAWING NO 770084	
WEIGHT -	SCALE 4:1	SHEET 1 OF 1		CUSTOMER DRAWING	