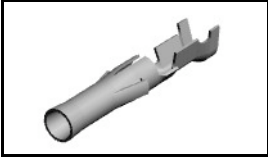


770146-1 Product Details

[Share](#) [Print](#) [Email](#)



770146-1

TE Internal Number: 770146-1

Active

[View 3D PDF](#)

.198, .200, .250" Centerline, 250 V, 13 A max.

Always EU RoHS/ELV Compliant
(Statement of Compliance)

Product Highlights:

- Commercial Pin & Socket Product Line
- Wire-to-Wire
- Contact
- Contact Type = Socket
- Wire/Cable Size = .2 - .9 mm²

[View all Features](#)

Quick Links

- ▶ [Pricing & Availability](#)
- ▶ [Search for Tooling](#)
- ▶ [View Housings \(66\)](#)
- ▶ [Product Feature Selector](#)
- ▶ [Contact Us About This Product](#)

[Add to My Part List](#) [Request Sample](#) [Find Similar Products](#)

[Buy Product](#)

Documentation & Additional Information

Product Drawings:

- [SOCKET, .093, LOOSE PIECE, COMMERCIAL PIN AND SOCKET \(PDF, English\)](#)

Catalog Pages/Data Sheets:

- [SOFT_SHELL_PIN_SOCKET_CONNECTORS_STANDARD_DENSITY \(PDF, English\)](#)

Product Specifications:

- [.093 Diameter Commercial Pin and Socket Connector \(PDF, English\)](#)

Application Specifications:

- [.093 Diameter Pin and Socket Contacts and Housings \(PDF, English\)](#)

Instruction Sheets:

- None Available

CAD Files: (CAD Format & Compression Information)

- [2D Drawing \(DXF, Version G\)](#)
- [3D Model \(IGES, Version G\)](#)
- [3D Model \(STEP, Version G\)](#)

[List all Documents](#)

Related Products:

- [Tooling](#)
- [Housings \(66\)](#)

Product Features (Please use the Product Drawing for all design activity)

Product Type Features:

- Product Line = Commercial Pin & Socket
- Product Type = Contact
- Wire/Cable Type = Discrete Wire
- Termination Method to Wire/Cable = Crimp

Mechanical Attachment:

- Contact Retention = Yes
- Contact Retention Type = Locking Lance

Electrical Characteristics:

- Operating Voltage (VAC) = 250, 600
- Contact - Rated Current (A) = 13
- Operating Voltage Reference = AC

Termination Features:

Industry Standards:

- [RoHS/ELV Compliance](#) = RoHS compliant, ELV compliant
- [Lead Free Solder Processes](#) = Not relevant for lead free process
- [RoHS/ELV Compliance History](#) = Always was RoHS compliant

Environmental:

- Operating Temperature (°C [°F]) = -55 - +105 [-67 - +221]

Conditions for Usage:

- Accepts Wire Insulation Diameter, Range (mm [in]) = 2.80 [0.110]
- For Use With = Pin

- Wire/Cable Size (mm²) = 0.2 – 0.9
- Wire/Cable Size (AWG) = 18 – 24

Body Features:

- Wire Type = Stranded

Contact Features:

- Contact Type = Socket
- Contact Base Material = Brass
- Contact Plating, Mating Area, Material = Pre-Tin
- Contact Diameter (mm [in]) = 2.36 [0.093]

Operation/Application:

- Application Use = Wire-to-Wire

Packaging Features:

- Packaging Method = Bag
- Packaging Quantity = 1,000

Other:

- Brand = AMP

Corporate Information

- [About TE](#)
- [Investors](#)
- [News Room](#)
- [Supplier Portal](#)
- [Careers](#)
- [Terms & Conditions](#)
- [Privacy Policy](#)

Quick Links

- [Distributor Inventory](#)
- [Product Cross Reference](#)
- [Documents & Drawings](#)
- [Product Compliance Support Center](#)
- [Site Map](#)

Customer Support

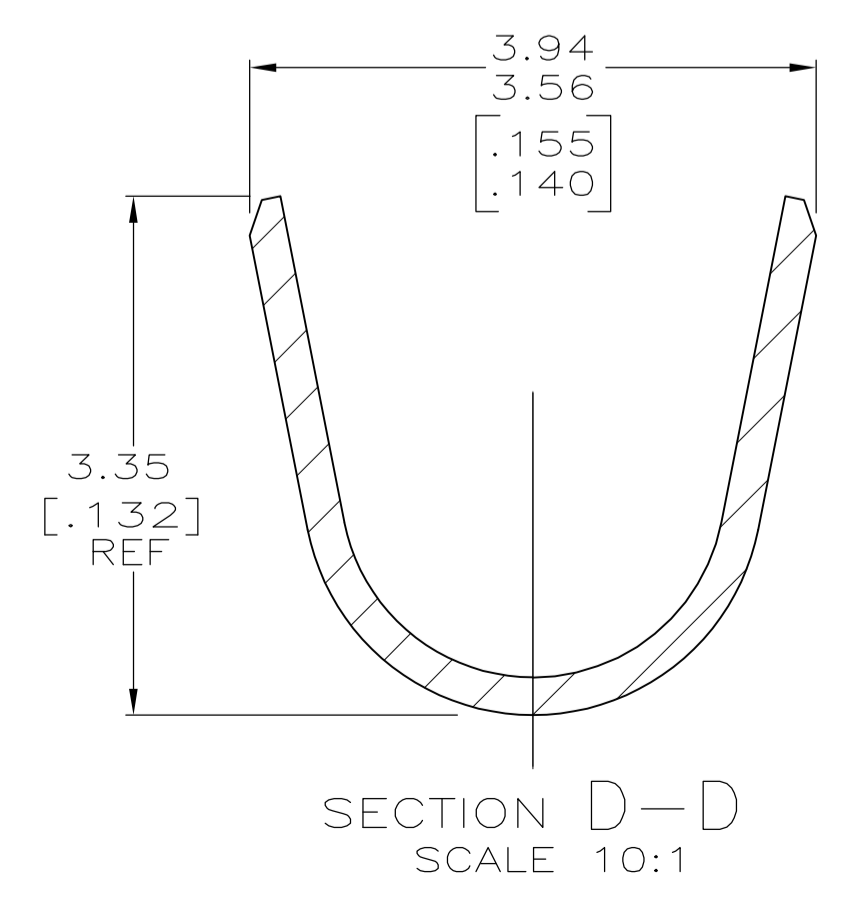
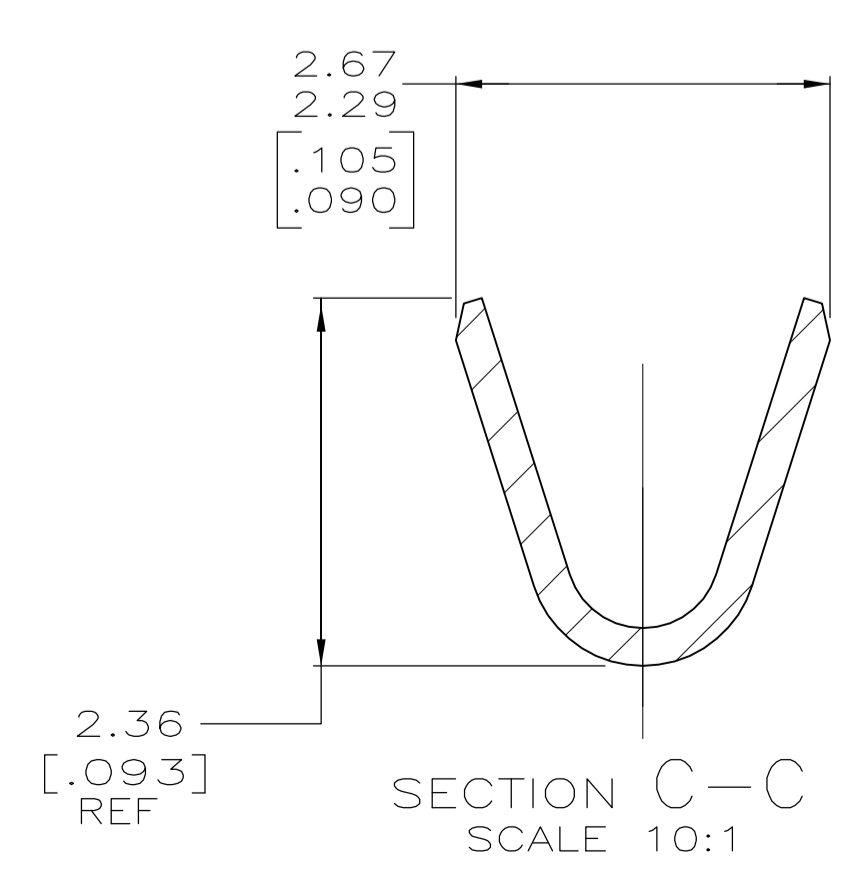
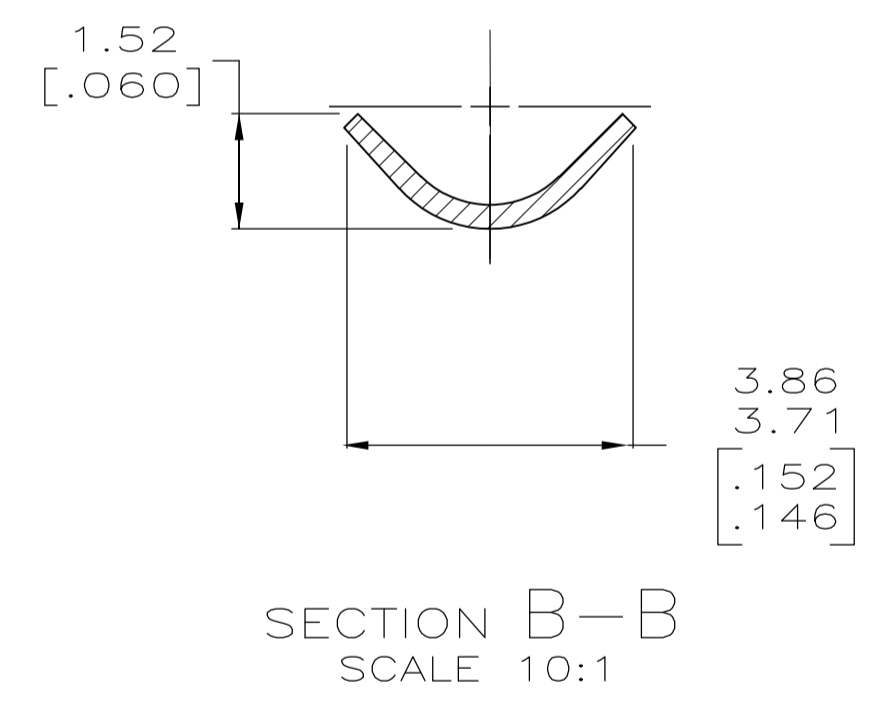
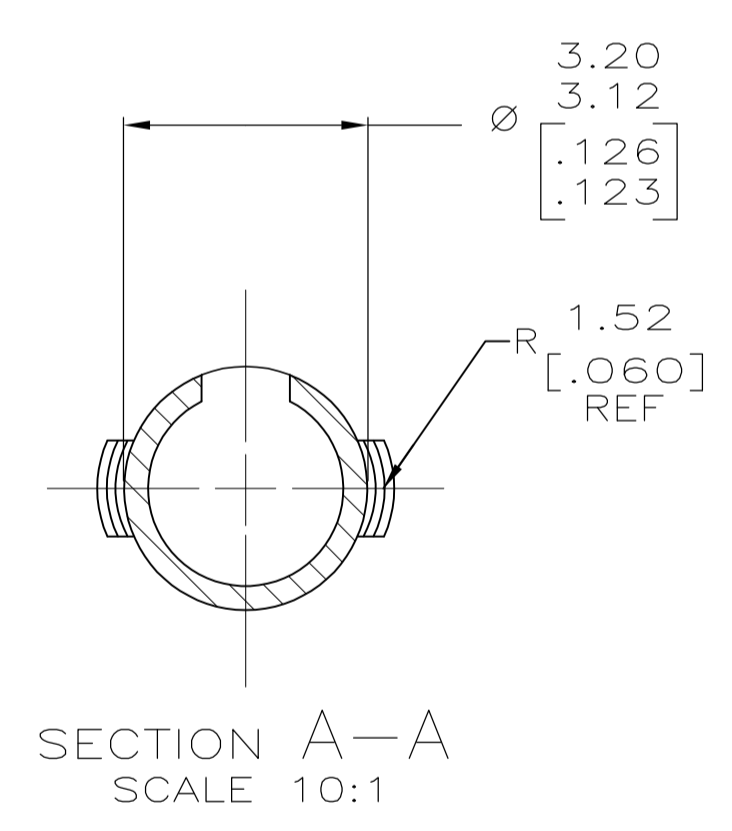
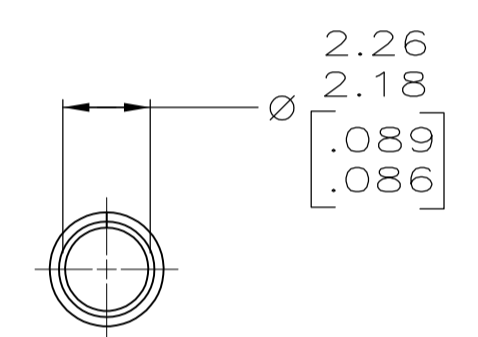
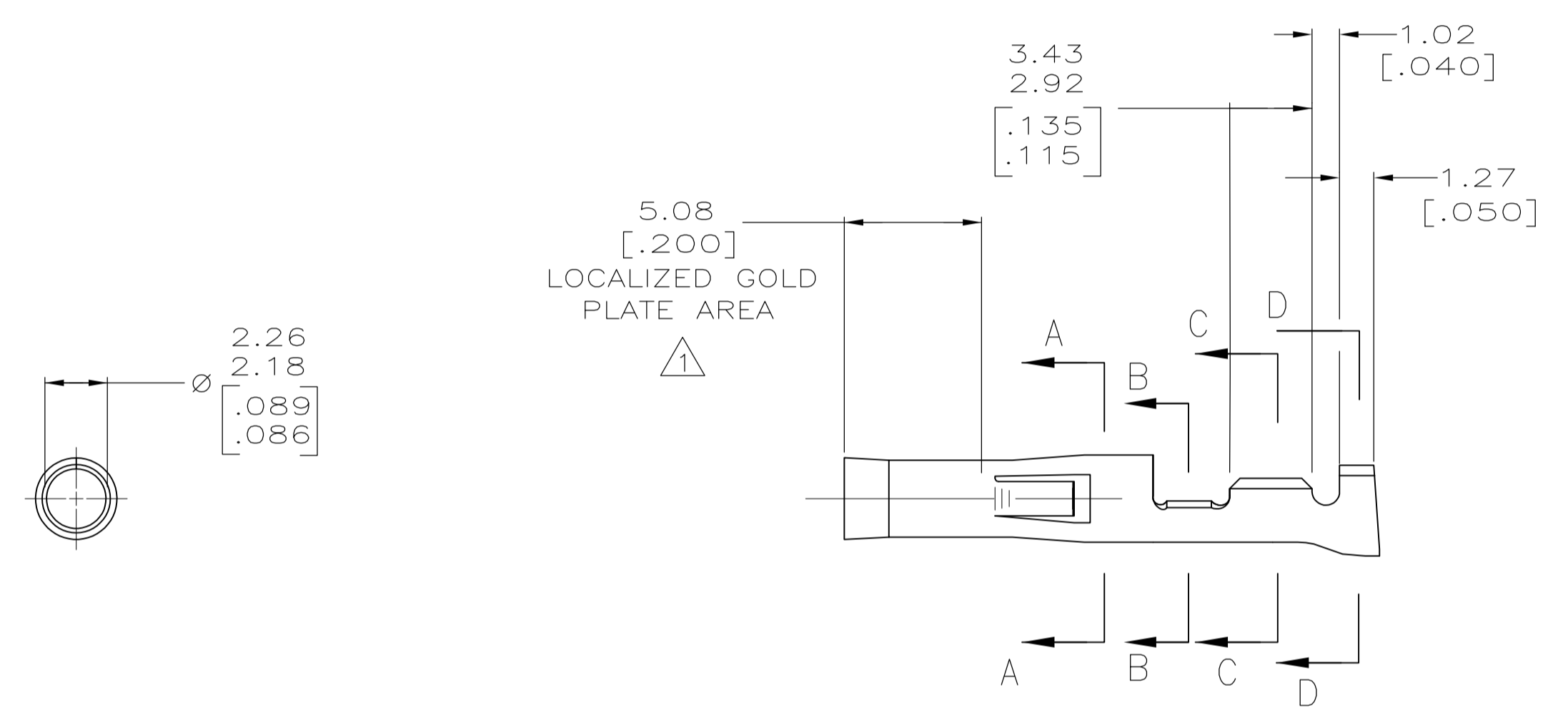
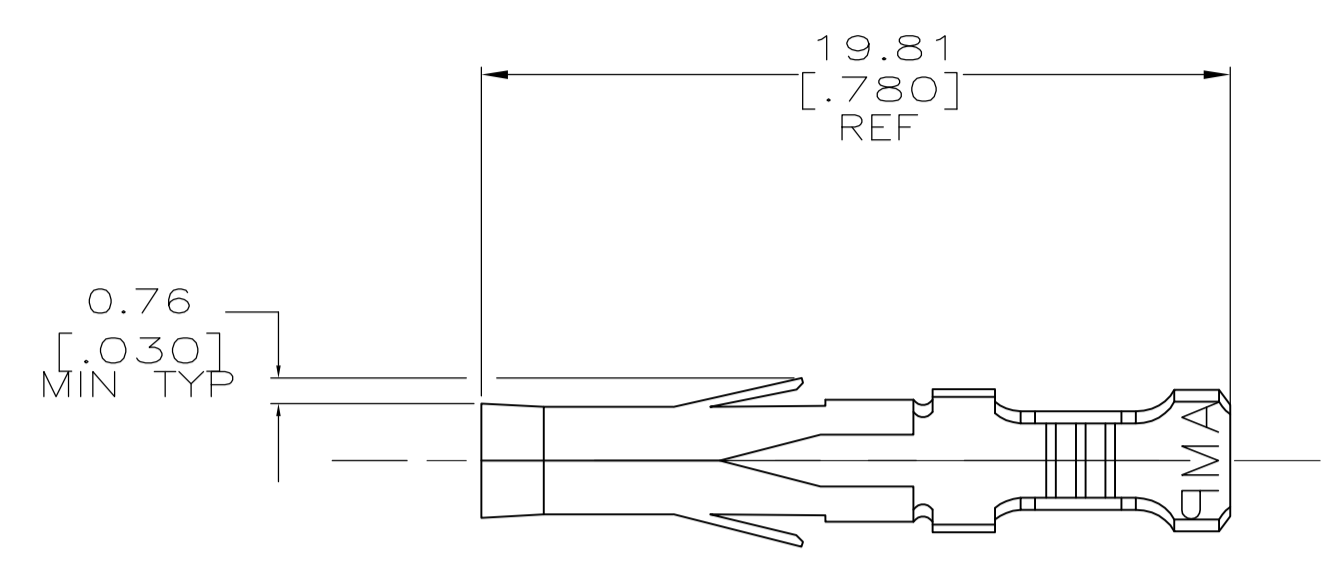
- [Email or Chat With Us](#)
- [Find a Phone Number](#)
- [Knowledge Base](#)
- [Manage Your Account](#)

Keep Me Informed



| LOC | | DIST | | REVISIONS | | | |
|-----|-----|---------------------------|---------|-----------|------|--|--|
| P | LTR | DESCRIPTION | DATE | DWN | APVD | | |
| G1 | | REVISED PER ECO-11-005027 | 11MAR11 | RK | HMR | | |

- 1 0.00127 [.000050] MIN GOLD IN LOCALIZED GOLD PLATE AREA OVER 0.00127 [.000050] MIN NICKEL.
- 2 0.00127 [.000050] NICKEL PLATE ON ENTIRE CONTACT WITH 0.000762 [.000030] GOLD PLATE ON INSIDE OF RECEPTACLE AND GOLD FLASH ON REMAINDER OF CONTACT.
- 3 WIRE RANGE: 0.3 - 0.84mm² (24-18 AWG).
- 4 INSULATION RANGE: 2.79 [.110] MAX. DIA.
- 5 DIMENSIONS IN BRACKETS ARE IN INCHES.



METRIC

| | | |
|---------|-------------------|----------|
| 2 | 0.25 [.010] BRASS | 770146-5 |
| 1 | 0.25 [.010] BRASS | 770146-3 |
| PRE-TIN | 0.25 [.010] BRASS | 770146-1 |
| FINISH | MATERIAL | PART NO |

THIS DRAWING IS A CONTROLLED DOCUMENT. DWN: K. WHITAKER 19JUN2007
CHK: C. CASH 19JUN2007
APPD: C. CASH 19JUN2007

TE Connectivity

NAME: SOCKET, .093, LOOSE PIECE, COMMERCIAL PIN AND SOCKET

SIZE: A1 CAGE CODE: 00779C DRAWING NO: 770146

RESTRICTED TO: -

CUSTOMER DRAWING SCALE: 5:1 SHEET: 1 OF 1 REV: G1