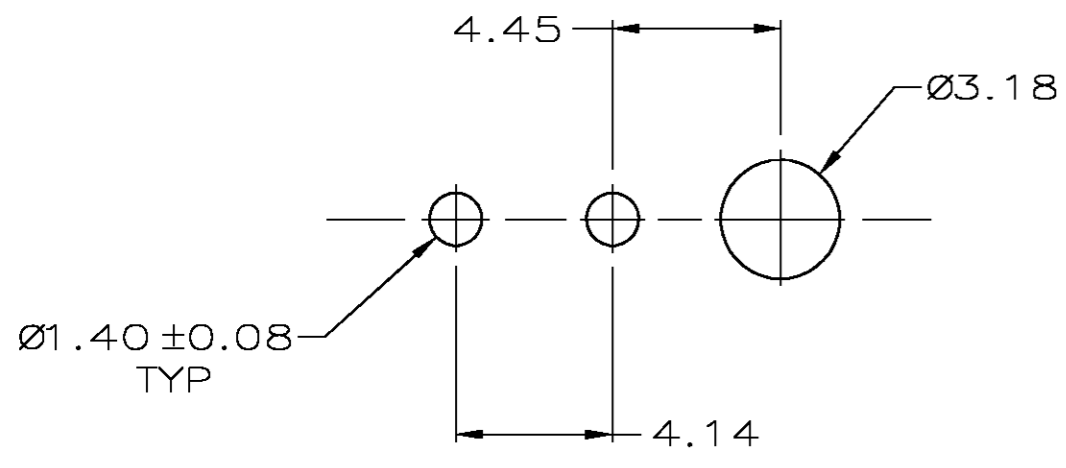
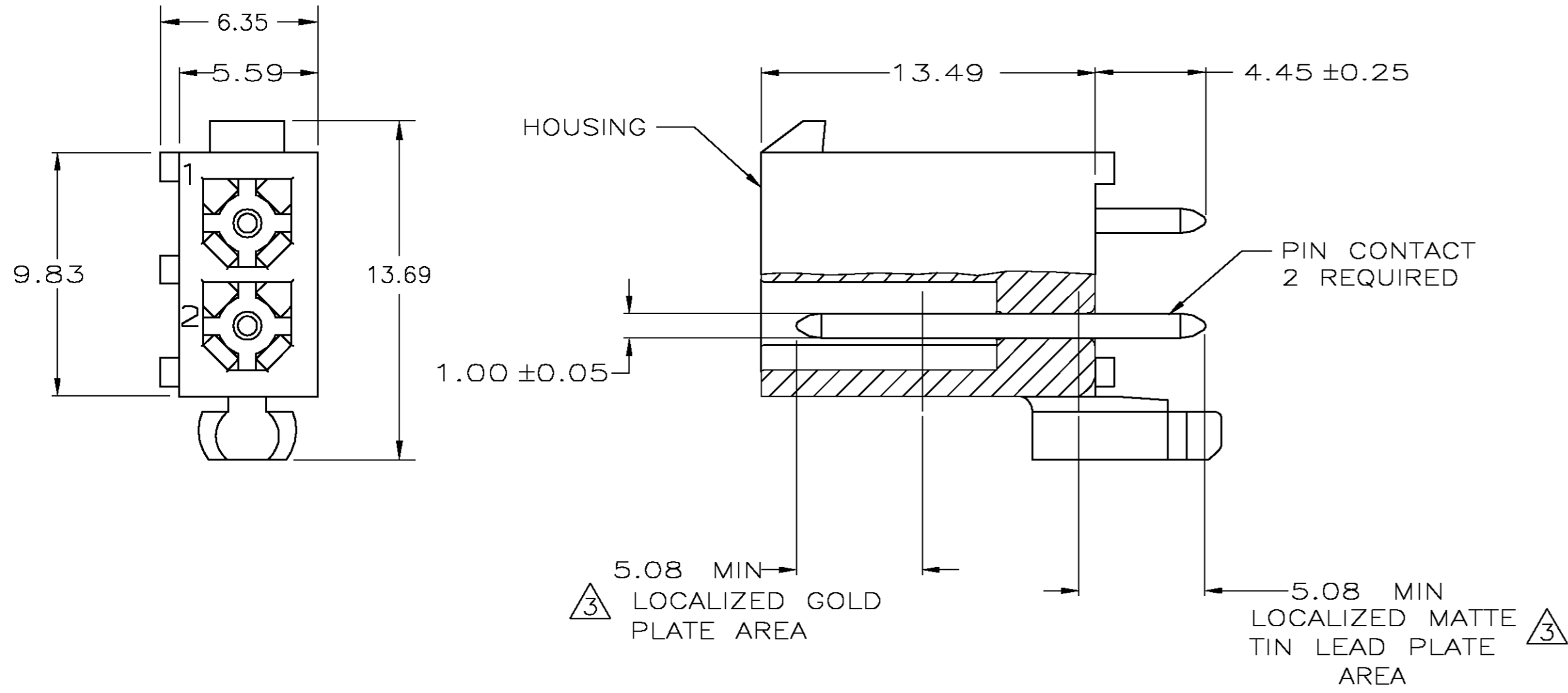


THIS DRAWING IS UNPUBLISHED. RELEASED FOR PUBLICATION
 © COPYRIGHT BY TYCO ELECTRONICS CORPORATION. ALL RIGHTS RESERVED.

LOC	DIST	REVISIONS			
P	LTR	DESCRIPTION	DATE	DWN	APVD
CM	00	K	REV PER ECN 0G3B-03B2-03	28JUL03	SC CJ



METRIC

MM	IN	MM	IN
1.00	.039	13.49	.531
0.76	.030	9.83	.387
0.25	.010	5.59	.220
0.13	.005	5.08	.200
0.08	.003	4.45	.175
0.05	.002	4.14	.163
0.00381	.000150	3.18	.125
0.00127	.000050	1.57	.062
0.00076	.000030	1.40	.055

CONVERSION TABLE

BRASS, TIN	4	NYLON, UL94V-0	WHITE	1-770166-0
BRASS, GOLD	3	NYLON, UL94V-0	WHITE	770166-2
BRASS, TIN-LEAD	2	NYLON, UL94V-0	WHITE	770166-1
MATERIAL	FINISH	MATERIAL	COLOR	PART NO.

THIS DRAWING IS A CONTROLLED DOCUMENT.		DWN S. CARPENTER 28JUL2003	Tyco Electronics Corporation	
DIMENSIONS: INCHES		CHK C. JONES 28JUL2003	Harrisburg, PA 17105	
TOLERANCES UNLESS OTHERWISE SPECIFIED:		APVD C. JONES 28JUL2003	NAME	
0 PLC ±		PRODUCT SPEC		
1 PLC ±		APPLICATION SPEC		
2 PLC ± 0.13		SIZE A2		
3 PLC ±		CAGE CODE 00779		
4 PLC ±		DRAWING NO C=770166		
ANGLES ±		RESTRICTED TO		
FINISH		WEIGHT		
SEE TABLE		CUSTOMER DRAWING		
		SCALE 5:1 SHEET 1 OF 1 REV K		

CUSTOMER DRAWING

A/C BUSINESS GROUP 3323 177-34 LARRY H. SMITH

770166