

## 770166-1 Product Details

[Share](#) [Print](#) [Email](#)



**770166-1**

TE Internal Number: 770166-1

 **Active**

[View 3D PDF](#)

**.163" Centerline, 600 V, 9.5 A max.**  
Not EU RoHS or ELV Compliant ([Find RoHS Compliant Alternates](#))

**Product Highlights:**

- Mini-Universal MATE-N-LOK Product Line
- Wire-to-Board
- Applies To Printed Circuit Board
- Connector
- Glow Wire Rating = Standard Part - Not Glow Wire

[View all Features](#)

**Quick Links**

- ▶ [Pricing & Availability](#)
- ▶ [Search for Tooling](#)
- ▶ [View Mating Products \(2\)](#)
- ▶ [Product Feature Selector](#)
- ▶ [Contact Us About This Product](#)

[Add to My Part List](#)

[Request Sample](#)

[Find Similar Products](#)

[Buy Product](#)

### Documentation & Additional Information

**Product Drawings:**

- [HEADER ASSEMBLY, 2 CKT, MINI UNIVERSAL MATE-N-LOK](#) (PDF, English)

**Catalog Pages/Data Sheets:**

- [SOFT SHELL PIN AND SOCKET CONNECTORS CATALOG](#) (PDF, English)

**Product Specifications:**

- None Available

**Application Specifications:**

- [Mini-Universal MATE-N-LOK Connectors](#) (PDF, English)

**Instruction Sheets:**

- [Mini-Universal MATE-N-LOK Connectors](#) (PDF, English)

**CAD Files:** ([CAD Format & Compression Information](#))

- [2D Drawing](#) (DXF, Version L)
- [3D Model](#) (IGES, Version L)
- [3D Model](#) (STEP, Version L)

[List all Documents](#)

**Additional Information:**

- [Product Line Information](#)

**Related Products:**

- [Tooling](#)
- [Mating Products \(2\)](#)

### Product Features (Please use the Product Drawing for all design activity)

**Product Type Features:**

- Product Line = Mini-Universal MATE-N-LOK
- Product Type = Connector
- Connector Type = Header
- PCB Mounting Orientation = Vertical
- PCB Mount Retention = With
- Sealed = No
- PCB Mount Retention Type = Boardlock(s)
- PCB Mount Alignment = Without
- CSA File Number = LR 7189

**Mechanical Attachment:**

- Contact Retention = Without
- Mating Retention Type = Locking Tab
- Panel Mount Retention = Without

**Housing Features:**

- Connector Style = Plug
- Housing Material = Nylon - GF
- Housing Color = White
- Mating Alignment = With
- Mating Alignment Type = Chamfered Edges
- Centerline (mm [in]) = 4.14 [0.163]

**Configuration Features:**

- Number of Rows = 1
- Number of Positions = 2
- [Solder Process Drain Hole](#) = With
- Strain Relief = Without

**Industry Standards:**

- [RoHS/ELV Compliance](#) = Not ELV/RoHS compliant

**Electrical Characteristics:**

- Contact - Rated Current (A) = 9.5
- Operating Voltage Reference = AC/DC
- Operating Voltage (VAC) = 600
- Operating Voltage (VDC) = 600

**Termination Features:**

- Termination Method to Wire/Cable = Solder
- Termination Method to PC Board = Through Hole - Solder

**Dimensions:**

- Tail Length (mm [in]) = 3.69 [0.145]
- PCB Thickness, Recommended (mm [in]) = 1.57 [0.062]

**Body Features:**

- Used With = Plug Housing
- Mating Retention = With
- Assembly Integration Feature = Without

**Contact Features:**

- Contact Type = Pin
- Contact Layout = In-Line
- Contact Diameter (mm [in]) = 1.00 [0.0394]
- Contact Base Material = Brass
- Contact Plating, Mating Area, Material = Matte Tin Lead
- Contact Plating, Mating Area, Thickness ( $\mu\text{m}$  [ $\mu\text{in}$ ]) = 3.81 [150]
- Tail Plating Material = Matte Tin Lead
- Shunts/Shorting Bars = Without
- Multiple Contact Types = Without
- Tail Plating Thickness ( $\mu\text{m}$  [ $\mu\text{in}$ ]) = 3.81 [150]
- Underplate Material = Nickel
- Underplate Material Thickness ( $\mu\text{m}$  [ $\mu\text{in}$ ]) = 1.27 [50.000]

- **Lead Free Solder Processes** = Not suitable for lead free processing
- VDE Tested = Yes
- Agency/Standard = CSA, UL
- UL Rating = Recognized
- CSA Rating = Certified
- UL File Number = E28476
- UL Flammability Rating = UL 94V-0

**Environmental:**

- Operating Temperature ( $^{\circ}\text{C}$  [ $^{\circ}\text{F}$ ]) = -20 - +105 [-4 - +221]

**Conditions for Usage:**

- Applies To = Printed Circuit Board
- Glow Wire Rating = Standard Part - Not Glow Wire

**Operation/Application:**

- Application Use = Wire-to-Board

**Packaging Features:**

- Packaging Method = Bag
- Packaging Quantity = 200

**Other:**

- Brand = AMP

**Corporate Information**

[About TE](#)  
[Investors](#)  
[News Room](#)  
[Supplier Portal](#)  
[Careers](#)  
[Terms & Conditions](#)  
[Privacy Policy](#)  
[AODA Accessibility Policy](#)  
[AODA Multi-Year Accessibility Plan](#)

**Quick Links**

[Distributor Inventory](#)  
[Product Cross Reference](#)  
[Documents & Drawings](#)  
[Product Compliance Support Center](#)  
[Site Map](#)

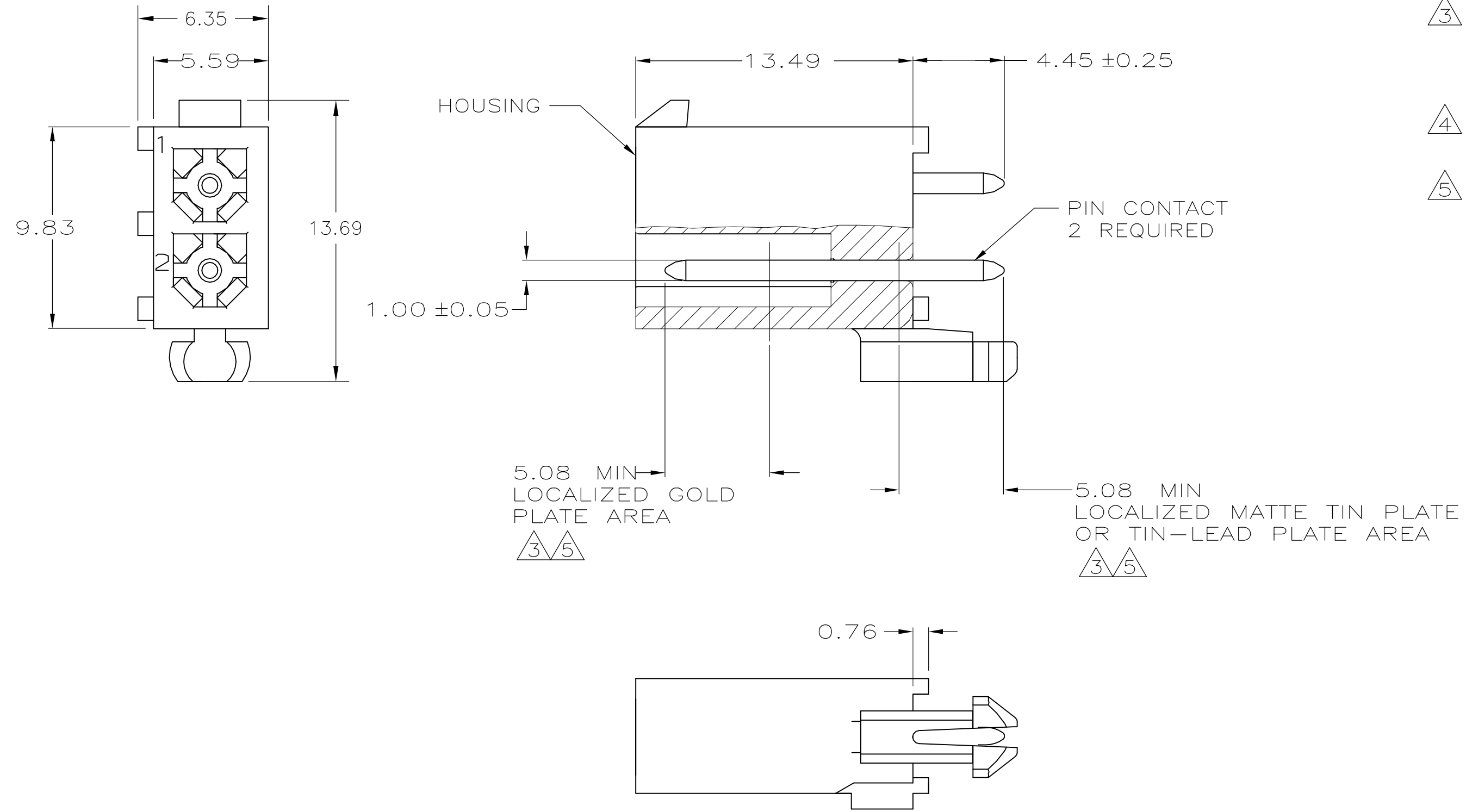
**Customer Support**

[Email or Chat With Us](#)  
[Find a Phone Number](#)  
[Knowledge Base](#)  
[Manage Your Account](#)

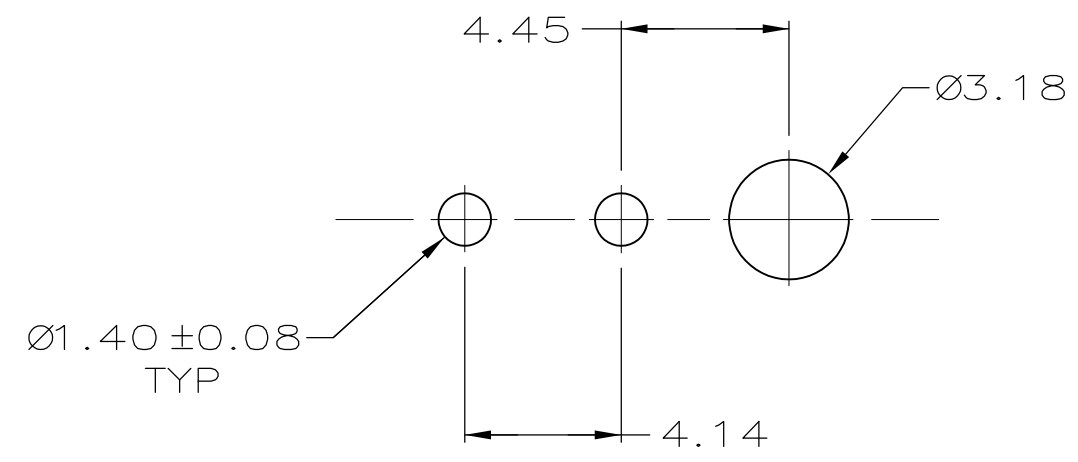
**Keep Me Informed**

THIS DRAWING IS UNPUBLISHED. RELEASED FOR PUBLICATION  
 © COPYRIGHT - By - ALL RIGHTS RESERVED.

LOC		DIST		REVISIONS			
P	LTR	DESCRIPTION		DATE	DWN	APVD	
CM	0	L1	REVISED PER ECO-11-004587	11MAR11	RK	HMR	



- PINS TO COMPLY WITH AMP SOLDERABILITY SPEC. 109-11-3.
- 0.00381 MIN MATTE TIN LEAD PLATE OVER 0.00127 MIN NICKEL.
- 0.00076 MIN GOLD PLATE IN THE LOCALIZED PLATE AREA, 0.00381 MATTE TIN LEAD IN THE LOCALIZED PLATE AREA, BOTH OVER 0.00127 MIN NICKEL.
- 0.00381 MIN MATTE TIN PLATE OVER 0.00127 MIN NICKEL.
- 0.00076 MIN GOLD PLATE IN THE LOCALIZED PLATE AREA, 0.00381 MATTE TIN IN THE LOCALIZED PLATE AREA, BOTH OVER 0.00127 MIN NICKEL.



RECOMMENDED LAYOUT FOR 1.57 THICK BOARD  
 TOLERANCES NON-ACCUMULATIVE

BRASS, GOLD	5	NYLON, UL94V-0	WHITE	1-770166-1
BRASS, TIN	4	NYLON, UL94V-0	WHITE	1-770166-0
BRASS, GOLD	3	NYLON, UL94V-0	WHITE	770166-2
BRASS, TIN-LEAD	2	NYLON, UL94V-0	WHITE	770166-1
MATERIAL	FINISH	MATERIAL	COLOR	PART NO.

THIS DRAWING IS A CONTROLLED DOCUMENT.		DWN	08JUN05																			
DIMENSIONS: INCHES		CHK	28JUL2003																			
TOLERANCES UNLESS OTHERWISE SPECIFIED:		APVD	28JUL2003																			
<table border="1"> <tr><td>0 PLC</td><td>±</td><td>-</td></tr> <tr><td>1 PLC</td><td>±</td><td>-</td></tr> <tr><td>2 PLC</td><td>±</td><td>0.13</td></tr> <tr><td>3 PLC</td><td>±</td><td>-</td></tr> <tr><td>4 PLC</td><td>±</td><td>-</td></tr> <tr><td>ANGLES</td><td>±</td><td>-</td></tr> </table>		0 PLC	±			-	1 PLC	±	-	2 PLC	±	0.13	3 PLC	±	-	4 PLC	±	-	ANGLES	±	-	NAME
0 PLC	±	-																				
1 PLC	±	-																				
2 PLC	±	0.13																				
3 PLC	±	-																				
4 PLC	±	-																				
ANGLES	±	-																				
MATERIAL	FINISH	WEIGHT	-	SIZE	A2																	
CUSTOMER DRAWING		SCALE	5:1	CAGE CODE	00779																	
		DRAWING NO	C=770166	RESTRICTED TO	-																	
		SHEET	1 of 1	REV	L1																	