

Distributed by:

**JAMECO**<sup>®</sup>  
ELECTRONICS

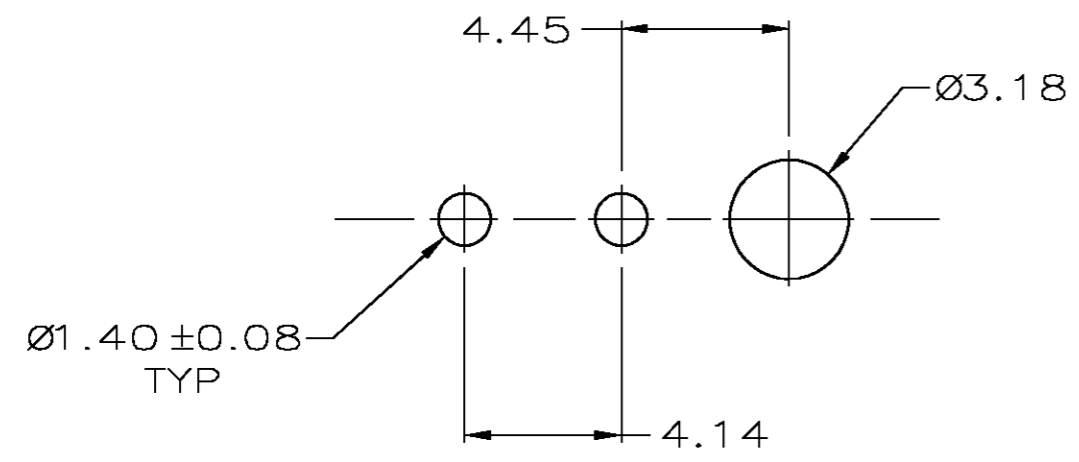
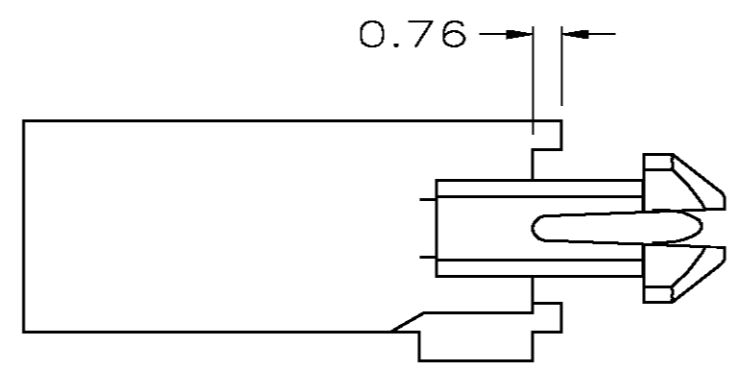
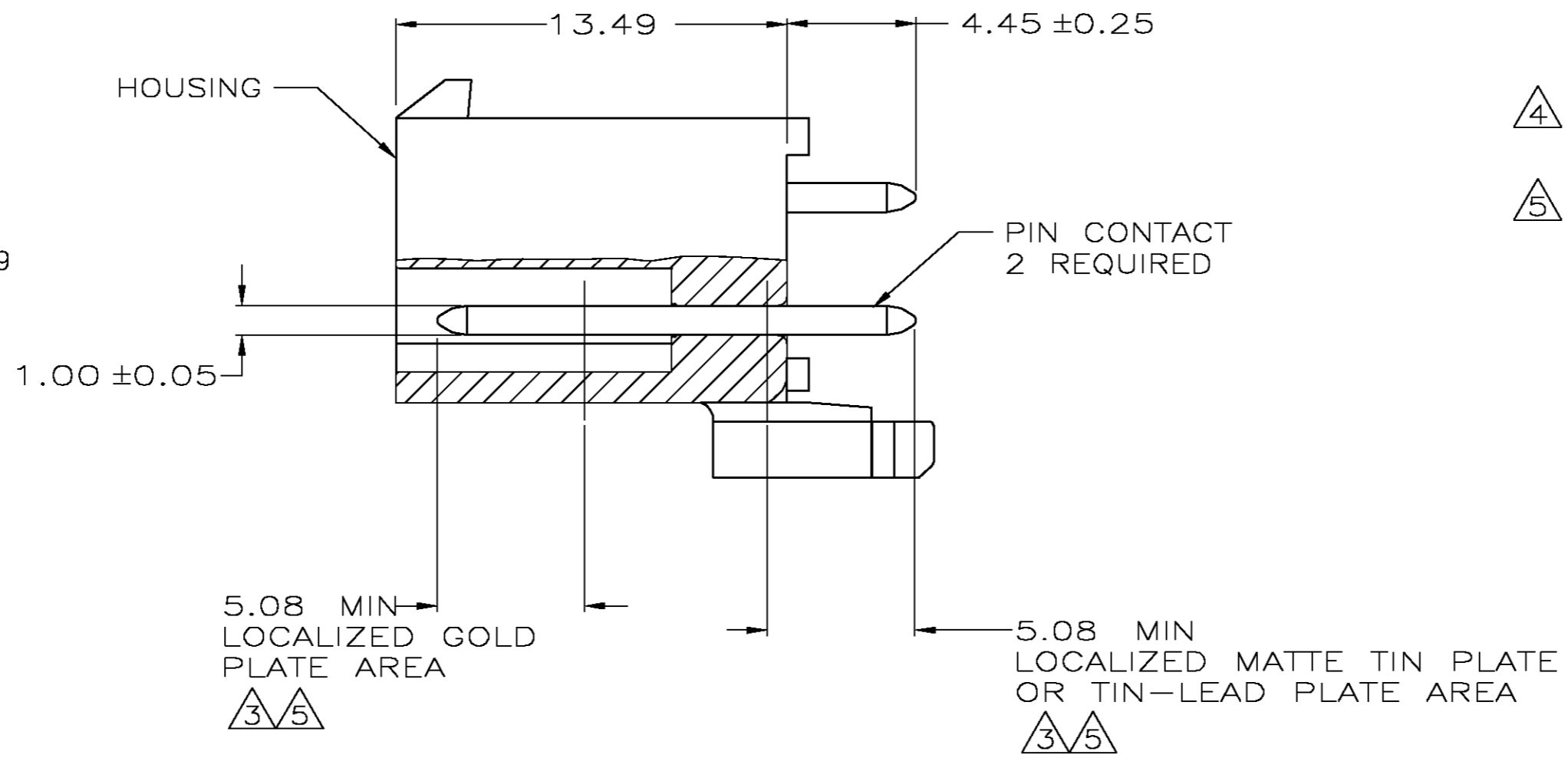
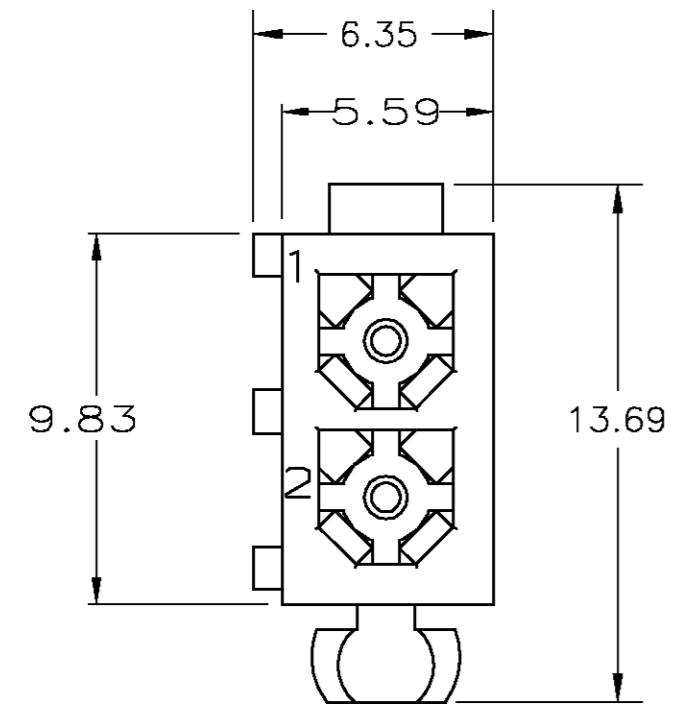
**www.Jameco.com ♦ 1-800-831-4242**

The content and copyrights of the attached  
material are the property of its owner.

Jameco Part Number 838794

THIS DRAWING IS UNPUBLISHED. RELEASED FOR PUBLICATION  
 © COPYRIGHT BY TYCO ELECTRONICS CORPORATION. ALL RIGHTS RESERVED.

LOC	DIST	REVISIONS					
		P	LTR	DATE	DWN	APVD	
CM	0	L		REVISED PER 0G3B-0211-05	6/8/05	SS	RJ



RECOMMENDED LAYOUT FOR 1.57 THICK BOARD  
 TOLERANCES NON-ACCUMULATIVE

- PINS TO COMPLY WITH AMP SOLDERABILITY SPEC. 109-11-3.
- 0.00381 MIN MATTE TIN LEAD PLATE OVER 0.00127 MIN NICKEL.
- 0.00076 MIN GOLD PLATE IN THE LOCALIZED PLATE AREA, 0.00381 MATTE TIN LEAD IN THE LOCALIZED PLATE AREA, BOTH OVER 0.00127 MIN NICKEL.
- 0.00381 MIN MATTE TIN PLATE OVER 0.00127 MIN NICKEL.
- 0.00076 MIN GOLD PLATE IN THE LOCALIZED PLATE AREA, 0.00381 MATTE TIN IN THE LOCALIZED PLATE AREA, BOTH OVER 0.00127 MIN NICKEL.

BRASS, GOLD	5	NYLON, UL94V-0	WHITE	1-770166-1
BRASS, TIN	4	NYLON, UL94V-0	WHITE	1-770166-0
BRASS, GOLD	3	NYLON, UL94V-0	WHITE	770166-2
BRASS, TIN-LEAD	2	NYLON, UL94V-0	WHITE	770166-1
MATERIAL	FINISH	MATERIAL	COLOR	PART NO.

THIS DRAWING IS A CONTROLLED DOCUMENT.		DWN S CARPENTER	OBJUN05	Tyco Electronics Corporation Harrisburg, Pa 17105-3608	
DIMENSIONS: INCHES		CHK R JONES	28JUL2003		
TOLERANCES UNLESS OTHERWISE SPECIFIED:		APVD R JONES	28JUL2003	NAME HEADER ASSEMBLY, 2 CKT, MINI UNIVERSAL MATE-N-LOK	
0 PLC ± -	1 PLC ± -	PRODUCT SPEC	SIZE A2		
2 PLC ± 0.13	3 PLC ± -	APPLICATION SPEC	CAGE CODE 00779	DRAWING NO 770166	RESTRICTED TO
4 PLC ± -	ANGLES ± -	WEIGHT	SCALE 5:1		
MATERIAL	FINISH	CUSTOMER DRAWING	SHEET 1	OF 1	REV L

770166