

# Wire to Board Connectors

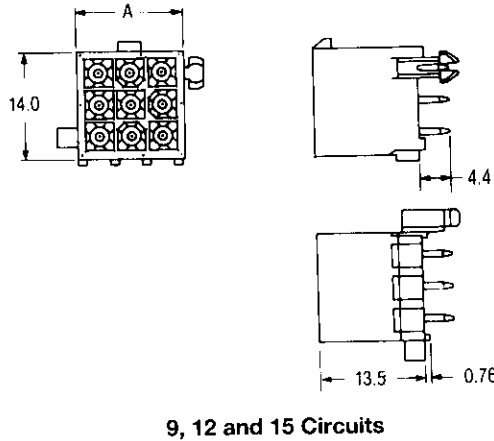
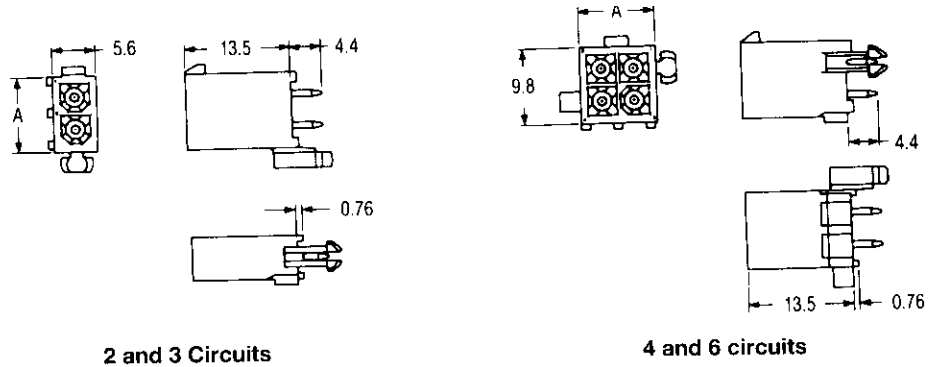
## Mini-Universal MATE-N-LOK Connectors

### PC Board Application Side

#### Pin Header

2, 3, 4, 6, 9, 12 and 15 Circuits

**Material :**  
 Housing — UL94V-0 rated  
 Nylon Natural  
 Contact — Phos. Brz./Pre-Tin



No. of Pos.	Dim. A	Part Number of Pin Header	Part Number of Mating Plug Housing
2	9.8	770166-1	172165-1
3	14.0	770170-1	172166-1
4	9.8	770174-1	172167-1
6	14.0	770178-1	172168-1
9	14.0	770182-1	172169-1
12	18.2	770186-1	172170-1
15	22.4	770190-1	172171-1

#### PC Board Layout

(Applicable PC Board Thickness : 1.6mm)

