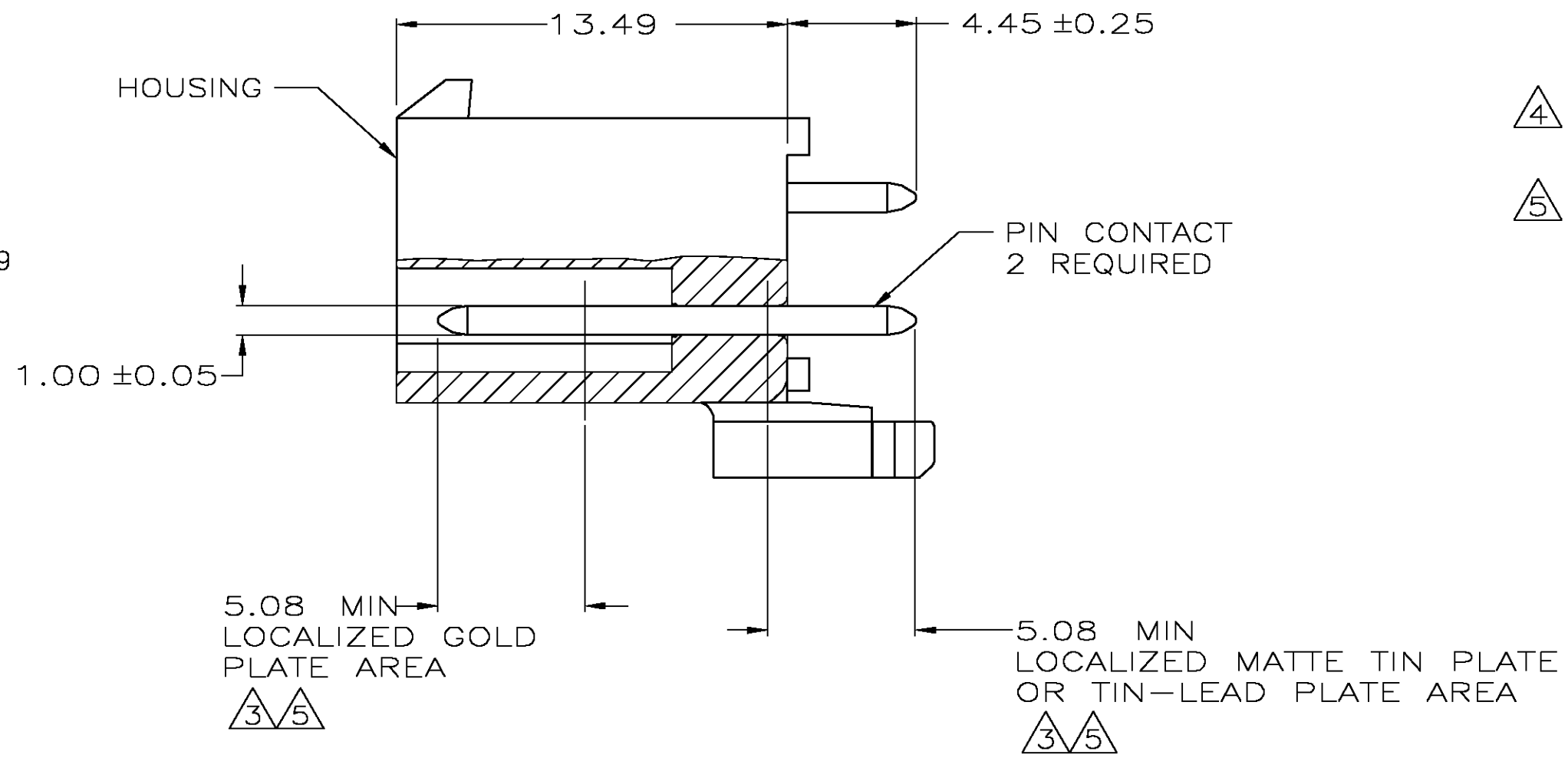
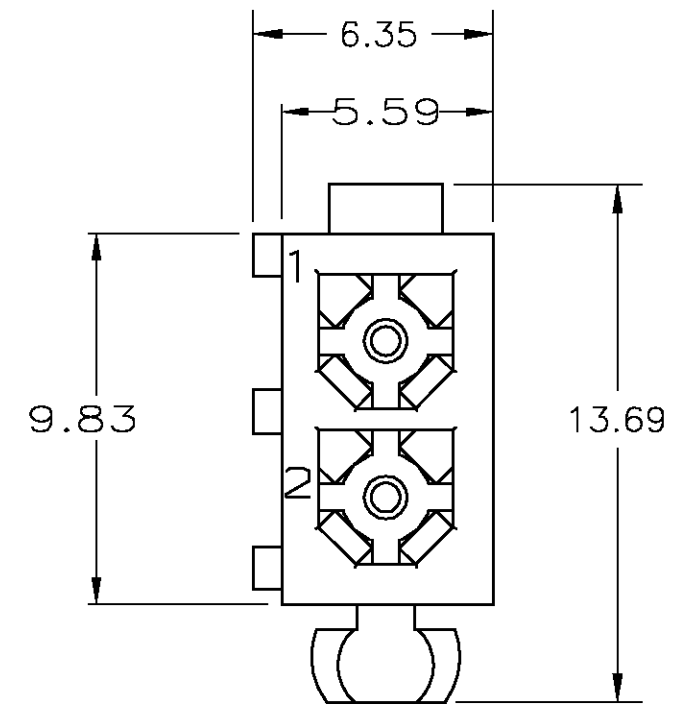
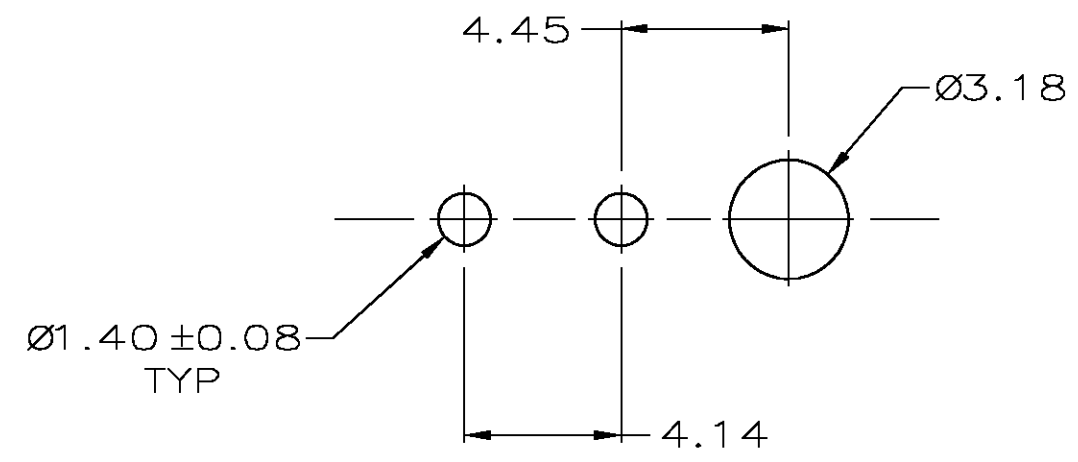
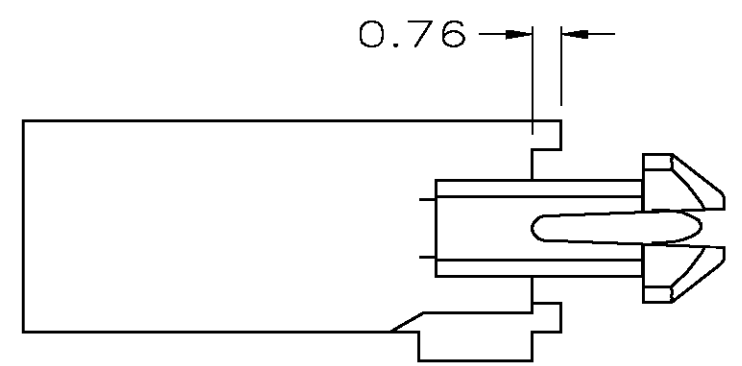


THIS DRAWING IS UNPUBLISHED. RELEASED FOR PUBLICATION
 © COPYRIGHT BY TYCO ELECTRONICS CORPORATION. ALL RIGHTS RESERVED.

| LOC | | DIST | | REVISIONS | | | |
|-----|-----|-------------|--|--------------------------|--------|-------|--|
| P | LTR | DESCRIPTION | | DATE | DWN | APVD | |
| CM | 0 | L | | REVISED PER 0G3B-0211-05 | 6/8/05 | SS RJ | |



- PINS TO COMPLY WITH AMP SOLDERABILITY SPEC. 109-11-3.
- 0.00381 MIN MATTE TIN LEAD PLATE OVER 0.00127 MIN NICKEL.
- 0.00076 MIN GOLD PLATE IN THE LOCALIZED PLATE AREA, 0.00381 MATTE TIN LEAD IN THE LOCALIZED PLATE AREA, BOTH OVER 0.00127 MIN NICKEL.
- 0.00381 MIN MATTE TIN PLATE OVER 0.00127 MIN NICKEL.
- 0.00076 MIN GOLD PLATE IN THE LOCALIZED PLATE AREA, 0.00381 MATTE TIN IN THE LOCALIZED PLATE AREA, BOTH OVER 0.00127 MIN NICKEL.



RECOMMENDED LAYOUT FOR 1.57 THICK BOARD
 TOLERANCES NON-ACCUMULATIVE

| BRASS, GOLD | 5 | NYLON, UL94V-0 | WHITE | 1-770166-1 |
|-----------------|--------|----------------|-------|------------|
| BRASS, TIN | 4 | NYLON, UL94V-0 | WHITE | 1-770166-0 |
| BRASS, GOLD | 3 | NYLON, UL94V-0 | WHITE | 770166-2 |
| BRASS, TIN-LEAD | 2 | NYLON, UL94V-0 | WHITE | 770166-1 |
| MATERIAL | FINISH | MATERIAL | COLOR | PART NO. |

| | | | | | |
|--|------------|--------------------|--------------------|--|---------------|
| THIS DRAWING IS A CONTROLLED DOCUMENT. | | DWN S CARPENTER | OBJUN05 | Tyco Electronics Corporation Harrisburg, Pa 17105-3608 | |
| DIMENSIONS: INCHES | | CHK R JONES | 28JUL2003 | | |
| TOLERANCES UNLESS OTHERWISE SPECIFIED: | | APVD R JONES | 28JUL2003 | NAME HEADER ASSEMBLY, 2 CKT, MINI UNIVERSAL MATE-N-LOK | |
| 0 PLC ± - | 1 PLC ± - | PRODUCT SPEC | SIZE A2 | | |
| 2 PLC ± 0.13 | 3 PLC ± - | APPLICATION SPEC | CAGE CODE 00779 | DRAWING NO 770166 | RESTRICTED TO |
| 4 PLC ± - | ANGLES ± - | WEIGHT | SCALE 5:1 | | |
| MATERIAL | FINISH | CUSTOMER DRAWING | SHEET 1 | OF 1 | REV L |

770166